

One Piece Fittings



One Piece Fittings

GSIF1P210

One Piece Fittings Catalogue

© Intertraco (Italia) S.p.A.

The data reported in this catalogue are not binding. Intertraco (Italia) S.p.A. reserves the right to change specifications without notice.

COMPATIBILITY CHART BETWEEN INTERTRACO ONE PIECE FITTINGS AND WIRE BRAIDED HOSES

hose sizes	Intertraco hose type	hose standard	assembling style
-04 / -48	Flexit 1T	EN 853 1SN SAE 100 R1AT	●
-04 / -48	Flexit 2T	EN 853 2SN SAE 100 R2AT	●
-04 / -16	Flexit SC117	EN 857 1SC SAE 100 R17 (sizes -04 / -08)	●
-04 / -16	Flexit SK117	exceeds EN 857 1SC SAE SAE 100 R17 (sizes -04 / -08)	●
-04 / -48	Flexit SC216	EN 857 2SC SAE 100 R16	●
-04 / -20	Flexit SK216 (2 wire compact high pressure)	exceeds EN 857 2SC SAE 100 R17 (sizes -10 / -16)	●
-04 / -16	Flexit SK119 - Flexit SK219	exceeds SAE 100 R19	●
-06 / -16	Flexit 3T (3 wire thin cover)	-	●
-03 / -08	Flexit PT	Pilot Hose	●
-	Flexit R5	SAE 100 R5	●
-04 / -16	Flexit EZ-Lock	SAE 100 R6	●
-12 / -48	Flexit XF R4	SAE 100 R4	●
-03 / -16	Flexit T7	exceeds SAE 100 R7	●
-02 / -16	Flexit T14	SAE 100 R14	●
-04 / -16	BRIDGESTONE R1K	-	●
-04 / -16	BRIDGESTONE R2K	-	●

NOTES:

The approved Intertraco hose and coupling combinations have been extensively tested and validated according to the relevant industry standard.

Different combinations should be fully tested before being utilized; the above information are guide lines only.

Please refer to our crimping chart for more detailed information. For SAE R8 and EN 854 1TE, 2TE, 3TE, please contact our Technical Dept.

R5 hoses and couplings follow different bore sizes. Please refer to specific catalogues and consult our Technical Dept.

ø mm	3	5	6	8	10	12	16	19	25	31	38	51	63	76	
ø inch	1/8"	3/16"	1/4"	5/16"	3/8"	1/2"	5/8"	3/4"	1"	1 1/4"	1 1/2"	2"	2.1/2"	3"	
size	-02	-03	-04	-05	-06	-08	-10	-12	-16	-20	-24	-32	-40	-48	
							K								
										J					
							K								
										J					
							K								
							K								
			T												
							K								
										J					
							K								
										J					
							K								
										J					
			T												
			R-04	R-05	R-06	R-08 (13/32")	R-10	R-12	R-16 (7/8")		R-20 (1 1/8")	R-24 (1 3/8")	R-32 (1 3/16")		
							T								
									K						
										J					
							T								
							T								
							K								
							K								

ASSEMBLING STYLE:

- No skive
- External skive

COMPATIBILITY CHART BETWEEN INTERTRACO ONE PIECE FITTINGS AND WIRE MULTISPIRAL HOSES

hose sizes	Intertraco hose type	hose standard	assembling style
-04 / -32	Flexit SHP	exceeds EN 856 4SP exceeds SAE 100 R12	● ■
-10 / -32	Flexit H4	EN 856 4SH	● ■
-10 / -48	Flexit 5000	SAE 100 R13 ISO 18752 - class 350	● ■
-06 / -32	Flexit 6000	SAE 100 R15 ISO 18752 - class 420	● ■
-10 / -40	BRIDGESTONE 4ST	exceeds EN 856 4SH	● ■
-06 / -20	BRIDGESTONE 4ST+	exceeds SAE 100 R15	● ■
-20 / -40	BRIDGESTONE 6ST	exceeds SAE 100 R15	● ■

NOTES:

The approved Intertraco hose and coupling combinations have been extensively tested and validated according to the relevant industry standard.

Different combinations should be fully tested before being utilized; the above information are guide lines only.

Please refer to our crimping chart for more detailed information. For SAE R8 and EN 854 1TE, 2TE, 3TE, please contact our Technical Dept.

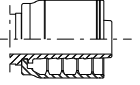
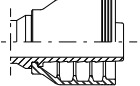
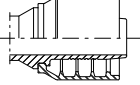
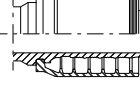
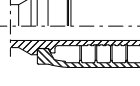
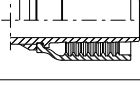
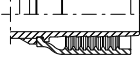
R5 hoses and couplings follow different bore sizes. Please refer to specific catalogues and consult our Technical Dept.

ø mm	3	5	6	8	10	12	16	19	25	31	38	51	63	76	
ø inch	1/8"	3/16"	1/4"	5/16"	3/8"	1/2"	5/8"	3/4"	1"	1 1/4"	1 1/2"	2"	2.1/2"	3"	
size	-02	-03	-04	-05	-06	-08	-10	-12	-16	-20	-24	-32	-40	-48	
					J										
									X						
									J						
									X						
							J				H/HLZ				
									X						
					J				H		HLZ				
									X						
							J								
										X			J		
					J										
							X								
										H		HLZ			
										X					

ASSEMBLING STYLE:

- No skive
- External skive

ONE PIECE FITTINGS APPLICATION CHART AND MATCHING POSSIBILITIES FOR WIRE BRAIDED AND MULTISPIRAL HOSES

series		EN 853 1SN / SAE 100 R1AT	EN 853 2SN / SAE 100 R2AT	EN 857 1SC	exceeds EN 857 1SC	SAE 100 R17	SAE 100 R17	EN 857 2SC / SAE 100 R16
		Flexit 1T	Flexit 2T	Flexit SC117	Flexit SK117	Flexit SC117	Flexit SK117	Flexit SC216
FOR WIRE BRAID HOSES	K 	-04 / -16	-04 / -16	-04 / -16	-04 / -16	-04 / -08	-04 / -08	-04 / -16
FOR MULTISPIRAL AND WIRE BRAID HOSES	J 	-06 / -48	-06 / -48					-06 / -48
FOR 6 SPIRAL HOSES	H 							
FOR 6 SPIRAL HOSES	HLZ 							
FOR 4 AND 6 SPIRAL HOSES	X⁽¹⁾ 							
FOR SAE 100 R7 AND R14 HOSES	T 				-04 / -08		-04 / -08	
FOR SAE 100 R5 HOSES	R⁽²⁾ 							

⁽¹⁾ for more detailed information please make reference to X range catalogue

⁽²⁾ for more detailed information please contact our Technical Dept.

exceeds EN 857 2SC	SAE 100 R17	exceeds SAE 100 R19	3 WB Hose	Pilot Hose	SAE 100 R5	SAE 100 R6	SAE 100 R4	exceeds SAE 100 R7	SAE 100 R14	-	-	EN 856 4SP	exceeds SAE 100 R12	EN 856 4SH	SAE 100 R13 / ISO 18752 - class 350	SAE 100 R15 / ISO 18752 - class 420	exceeds EN 856 4SP / SAE 100 R12	exceeds EN 856 4SH	exceeds SAE 100 R15	
Flexit SK216 *		Flexit SK119 Flexit SK219	Flexit 3T **	Flexit PT	Flexit R5	Flexit Ez-lock	Flexit XF R4	Flexit T7	Flexit T14	BRIDGESTONE RK1	BRIDGESTONE RK2	Flexit SHP		Flexit H4	Flexit 5000	Flexit 6000	BRIDGESTONE 4ST	BRIDGESTONE 4ST+	BRIDGESTONE 6ST	
-04 / -16	-10 / -16	-04 / -16					-12 / -16			-04 / -16	-04 / -16									
-06 / -20	-10 / -16	-06 / -16	-06 / -16				-20 / -48					-06 / -16	-20 / -32	-12 / -32	-10 / -24	-06 / -16	-10 / -16	-20 / -32 -40	-06 / -20	
															-32	-20 / -24				-20 / -24
															-32	-32				-32
												-12 / -16	-20 / -32	-12 / -32	-20 / -32	-12 / -32	-16	-20 / -32	-12 / -20	-20 / -32
				-03 / -08		-04 / -16		-03 / -16	-02 / -16											
					-04 / -32															

The numbers identify the coupling size

*2 wire compact high pressure

**3 wire thin cover

ASSEMBLING STYLE: ● No skive ■ External skive

NOTES:

The approved Intertraco hose and coupling combinations have been extensively tested and validated according to the relevant industry standard.

Different combinations should be fully tested before being utilized; the above information are guide lines only.

Please refer to our crimping chart for more detailed information. For SAE R8 and EN 854 1TE, 2TE, 3TE, please contact our Technical Dept.

R5 hoses and couplings follow different bore sizes. Please refer to specific catalogues and consult our Technical Dept.

K

**For wire braid hoses
No skive**

pag - 11

J

**For multispiral and
wire braid hoses
No skive**

pag - 99

H

**For 6 spiral hoses
No skive**

pag - 195

T

**For SAE 100 R7
thermoplastic
and R14 teflon hoses
No skive**

pag - 243

K

SERIES

**For wire braid hoses
No skive**

 **intertraco**

product	standard	code	description	page
Fitting	NPTF NPSM	MN10K	NPTF male (60° cone seat)	17
		MNA10K	NPTF male (60° cone seat) - long nose "API" style version	18
		MG10K	NPTF male swivel (60° cone seat)	19
		MG90K	NPTF male swivel - 90° elbow (60° cone seat)	20
		KG91K	NPTF male swivel - 90° compact elbow	21
		FN10K	NPTF female rigid	22
		FN11K	NPTF female swivel (60° cone seat)	23
	JIC	MJ10K	JIC 37° male	24
		FJ11K	JIC 37° female swivel	26
		FJ41K	JIC 37° female swivel - 45° elbow	28
		FJ91K	JIC 37° female swivel - 90° elbow	30
		FJ91K-M	JIC 37° female swivel - 90° elbow (medium drop)	32
		FJ91K-L	JIC 37° female swivel - 90° elbow (long drop)	33
		KJ91K	JIC 37° female swivel - 90° compact elbow	34
	ORFS	OM10K	ORFS male	35
		OR13K	ORFS female swivel	36
		OR11K	ORFS short female swivel	37
		OR44K	ORFS female swivel - 45° elbow	38
		OR94K	ORFS female swivel - 90° elbow	39
		OR94K-M	ORFS female swivel - 90° elbow (medium drop)	40
		OR94K-L	ORFS female swivel - 90° elbow (long drop)	41
	SAE	MU10K	SAE 45° male	42
		FU11K	SAE 45° female swivel	43
		ME10K	O-ring boss male	44
		MV10K	O-ring boss male swivel	45
		MV40K	O-ring boss male swivel - 45° elbow	46
		MV90K	O-ring boss male swivel - 90° elbow	47
		KV91K	O-ring boss male swivel - 90° compact elbow	48
		MZ10K	SAE inverted flare male swivel	49
		MZ40K	SAE inverted flare male swivel - 45° elbow	50
		MZ90K	SAE inverted flare male swivel - 90° elbow	51
		MFA10K	SAE flareless male assembly	52
	GREASE	FGR10K	Female grease	53
	JIS	FT11K	Japanese "T" style termination female swivel 60° cone	54

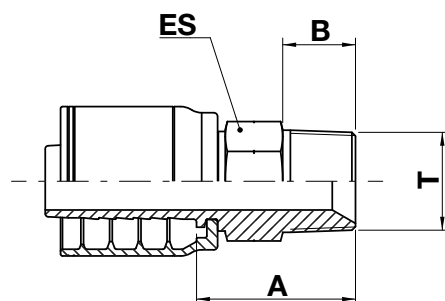
product	standard	code	description	page
Fitting	JIS	FK11K	Japanese "KOM" style termination female swivel 60° cone	55
		FK41K	Japanese "KOM" style termination female swivel 60° cone - 45° elbow	56
		FK91K	Japanese "KOM" style termination female swivel 60° cone - 90° elbow	57
		AK10K	Japanese "KOM" style termination straight flange (for metric O-ring)	58
		AK40K	Japanese "KOM" style termination - 45° elbow flange (for metric O-ring)	59
		AK90K	Japanese "KOM" style termination - 90° elbow flange (for metric O-ring)	60
	BSP BSPT	MT10K	BSPT tapered male 60° cone	61
		MB10K	BSP male 60° cone	62
		FB13K	BSP female swivel 60° cone	64
		FB43K	BSP female swivel 60° cone - 45° elbow	66
		FB93K	BSP female swivel 60° cone - 90° elbow	67
		FB93K-L	BSP female swivel 60° cone - 90° elbow (long drop)	68
		KM91K	BSP female swivel 60° cone - 90° compact elbow	69
		FO13K	BSP O-ring female swivel 60° cone	70
		FO43K	BSP O-ring female swivel 60° cone - 45° elbow	71
		FO93K	BSP O-ring female swivel 60° cone - 90° elbow	72
		FP11K	BSP flat face female swivel	73
		BB10K	BSP banjo	74
		VB10B	BSP banjo bolt	75
		METRIC	KW15K	Jet wash female swivel "K" type
	FQ13K		Metric female swivel (multiseal 24°/60° cone seat)	77
	FQ93K		Metric female swivel - 90° elbow (multiseal 24°/60° cone seat)	78
	SM10K		Metric standpipe	79
	SM40K		Metric standpipe - 45° elbow	80
	SM90K		Metric standpipe - 90° elbow	81
	BM10K		Metric banjo	82
	VM10B		Metric banjo bolt	83
	ML10K		Metric light male (24° cone seat)	84
	FL13K		Metric light female swivel (24° cone seat)	85
	FL43K		Metric light female swivel - 45° elbow (24° cone seat)	86
FL93K	Metric light female swivel - 90° elbow (24° cone seat)		87	
MS10K	Metric heavy male (24° cone seat)		88	
FS13K	Metric heavy female swivel (24° cone seat)		89	
FS43K	Metric heavy female swivel - 45° elbow (24° cone seat)		90	

product	standard	code	description	page
Fitting	METRIC	FS93K	Metric heavy female swivel - 90° elbow (24° cone seat)	91
	SAE 3000 CODE 61	AX10K	SAE 3000 code 61 straight flange	92
		AX40K	SAE 3000 code 61 - 45° elbow flange	93
		AX60K	SAE 3000 code 61 - 60° elbow flange	94
		AX90K	SAE 3000 code 61 - 90° elbow flange	95
	STAPLE LOCK	ST11K	Staple lock male	96
	-	WO10K	Brazing tail	97

MN10K

NPTF male (60° cone seat)**NO SKIVE**

SAE J514



FITTING
NPTF-NPSM
 JIC
 ORFS
 SAE
 GREASE
 JIS
 BSP-BSPT
 METRIC
 SAE 3000 CODE 61
 STAPLE LOCK

code	ø hose			T	A		B		ES		
	dn	inch	size		mm	in	mm	in	mm	in	↗ in
MN10K-04-02	6	1/4"	04	1/8"-27	22,0	0,87	9,5	0,37	14,0	0,551	9/16"
MN10K-04-04	6	1/4"	04	1/4"-18	26,5	1,04	14,0	0,55	14,0	0,551	9/16"
MN10K-04-06	6	1/4"	04	3/8"-18	28,0	1,10	14,0	0,55	19,0	0,748	3/4"
MN10K-04-08	6	1/4"	04	1/2"-14	33,0	1,30	19,0	0,75	22,0	0,866	7/8"
MN10K-05-04	8	5/16"	05	1/4"-18	26,5	1,04	14,0	0,55	14,0	0,551	9/16"
MN10K-05-06	8	5/16"	05	3/8"-18	28,0	1,10	14,0	0,55	19,0	0,748	3/4"
MN10K-06-04	10	3/8"	06	1/4"-18	26,5	1,04	14,0	0,55	17,0	0,669	11/16"
MN10K-06-06	10	3/8"	06	3/8"-18	28,0	1,10	14,0	0,55	19,0	0,748	3/4"
MN10K-06-08	10	3/8"	06	1/2"-14	33,0	1,30	19,0	0,75	22,0	0,866	7/8"
MN10K-08-04	12	1/2"	08	1/4"-18	28,5	1,12	14,0	0,55	22,0	0,866	7/8"
MN10K-08-06	12	1/2"	08	3/8"-18	28,5	1,12	14,0	0,55	19,0	0,748	3/4"
MN10K-08-08	12	1/2"	08	1/2"-14	33,5	1,32	19,0	0,75	22,0	0,866	7/8"
MN10K-08-12	12	1/2"	08	3/4"-14	34,0	1,34	19,0	0,75	27,0	1,063	1.1/16"
MN10K-10-08	16	5/8"	10	1/2"-14	33,5	1,32	19,0	0,75	24,0	0,945	15/16"
MN10K-10-12	16	5/8"	10	3/4"-14	41,0	1,61	19,0	0,75	27,0	1,063	1.1/16"
MN10K-12-08	19	3/4"	12	1/2"-14	34,5	1,36	19,0	0,75	27,0	1,063	1.1/16"
MN10K-12-12	19	3/4"	12	3/4"-14	41,5	1,63	19,0	0,75	27,0	1,063	1.1/16"
MN10K-12-16	19	3/4"	12	1"-11.1/2	46,5	1,83	24,0	0,94	36,0	1,417	1.7/16"
MN10K-16-12	25	1"	16	3/4"-14	43,0	1,69	19,0	0,75	32,0	1,260	1.1/4"
MN10K-16-16	25	1"	16	1"-11.1/2	48,0	1,89	24,0	0,94	36,0	1,417	1.7/16"
MN10K-16-20	25	1"	16	1.1/4"-11.1/2	60,0	2,36	24,5	0,96	46,0	1,811	1.13/16"

MNA10K

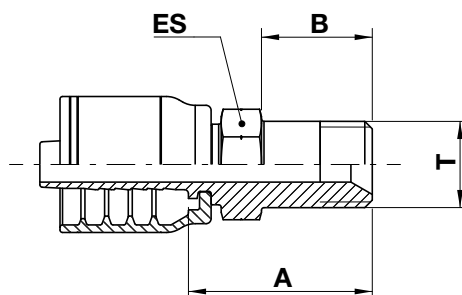
NPTF male (60° cone seat) - long nose "API" style version

NO SKIVE

FITTING

NPTF-NPSM

JIC
ORFS
SAE
GREASE
JIS
BSP-BSPT
METRIC
SAE 3000 CODE 61
STAPLE LOCK



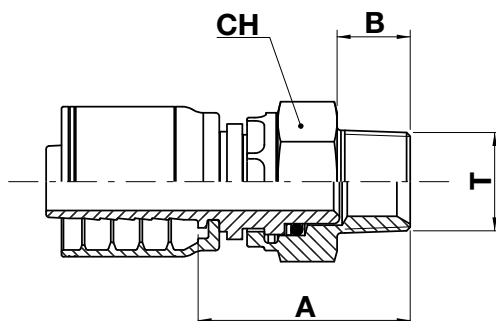
code	ø hose			T	A		B		ES		
	dn	inch	size		mm	in	mm	in	mm	in	↻ in
MNA10K-04-04	6	1/4"	04	1/4"-18	36,0	1,42	22,0	0,87	14,0	0,551	9/16"
MNA10K-04-06	6	1/4"	04	3/8"-18	36,0	1,42	22,0	0,87	19,0	0,748	3/4"
MNA10K-06-06	10	3/8"	06	3/8"-18	36,5	1,44	22,0	0,87	19,0	0,748	3/4"

MG10K MG16K

NPTF male swivel (60° cone seat)

NO SKIVE

SAE J514



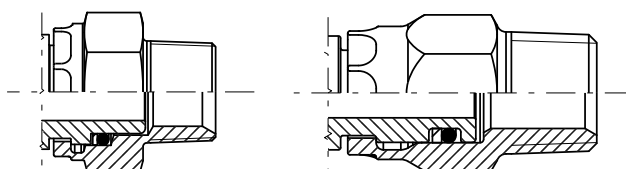
FITTING
NPTF-NPSM
 JIC
 ORFS
 SAE
 GREASE
 JIS
 BSP-BSPT
 METRIC
 SAE 3000 CODE 61
 STAPLE LOCK

code	ø hose			T	A		B		CH		
	dn	inch	size		mm	in	mm	in	mm	in	↗ in
MG10K-04-02	6	1/4"	04	1/8"-27	36,5	1,44	9,5	0,37	17,0	0,669	11/16"
MG10K-04-04	6	1/4"	04	1/4"-18	36,5	1,44	14,0	0,55	17,0	0,669	11/16"
MG16K-04-06	6	1/4"	04	3/8"-18	46,5	1,83	14,0	0,55	19,0	0,750	3/4"
MG16K-05-06	8	5/16"	05	3/8"-18	46,5	1,83	14,0	0,55	19,0	0,750	3/4"
MG10K-06-04	10	3/8"	06	1/4"-18	33,5	1,32	14,0	0,55	17,0	0,669	11/16"
MG16K-06-06	10	3/8"	06	3/8"-18	44,5	1,75	14,0	0,55	19,0	0,750	3/4"
MG10K-06-08	10	3/8"	06	1/2"-14	41,5	1,63	19,0	0,75	27,0	1,063	1.1/16"
MG16K-08-06	12	1/2"	08	3/8"-18	48,0	1,89	14,0	0,55	19,0	0,750	3/4"
MG10K-08-08	12	1/2"	08	1/2"-14	42,0	1,65	19,0	0,75	27,0	1,063	1.1/16"
MG10K-10-12	16	5/8"	10	3/4"-14	54,5	2,15	19,4	0,76	36,0	1,417	1.7/16"
MG10K-12-08	19	3/4"	12	1/2"-14	56,5	2,22	19,0	0,75	27,0	1,063	1.1/16"
MG10K-12-12	19	3/4"	12	3/4"-14	55,0	2,17	19,4	0,76	36,0	1,417	1.7/16"
MG10K-16-16	25	1"	16	1"-11.1/2	62,5	2,46	24,2	0,95	38,0	1,496	1.1/2"

Nut type

MG10

MG16 (imperial nut)

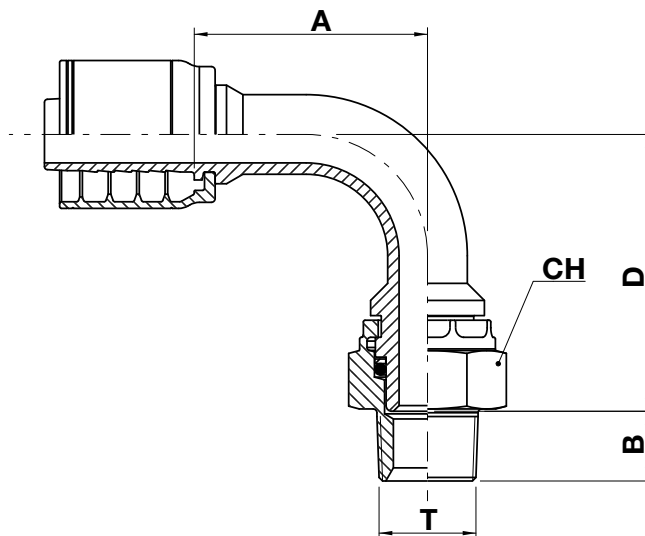


MG90K MG96K

NPTF male swivel 90° elbow (60° cone seat)

NO SKIVE

SAE J514



FITTING

NPTF-NPSM

JIC

ORFS

SAE

GREASE

JIS

BSP-BSPT

METRIC

SAE 3000 CODE 61

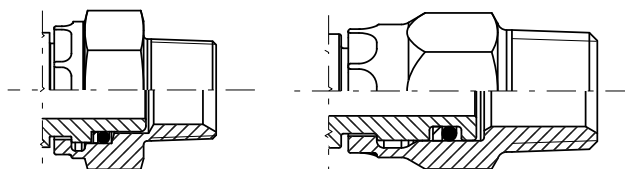
STAPLE LOCK

code	ø hose			T	A		B		D		CH		
	dn	inch	size		mm	in	mm	in	mm	in	mm	in	↻ in
MG90K-04-04	6	1/4"	04	1/4"-18	28,0	1,10	14,0	0,55	37,0	1,46	17,0	0,669	11/16"
MG96K-04-06	6	1/4"	04	3/8"-18	28,0	1,10	14,0	0,55	46,2	1,82	19,0	0,750	3/4"
MG96K-06-06	10	3/8"	06	3/8"-18	34,5	1,36	14,0	0,55	47,7	1,88	19,0	0,750	3/4"
MG90K-06-08	10	3/8"	06	1/2"-14	34,5	1,36	19,0	0,75	54,5	2,15	27,0	1,063	1.1/16"
MG90K-08-08	12	1/2"	08	1/2"-14	44,5	1,75	19,0	0,75	59,5	2,34	27,0	1,063	1.1/16"
MG90K-12-12	19	3/4"	12	3/4"-14	61,5	2,42	19,4	0,76	91,4	3,60	36,0	1,417	1.7/16"
MG90K-16-16	25	1"	16	1"-11.1/2	72,0	2,83	24,2	0,95	84,5	3,33	38,0	1,496	1.1/2"

Nut type

MG90

MG96 (imperial nut)

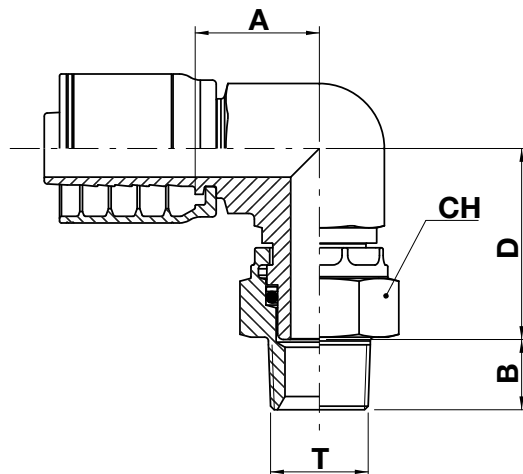


KG91K KG96K

NPTF male swivel - 90° compact elbow

NO SKIVE

SAE J514



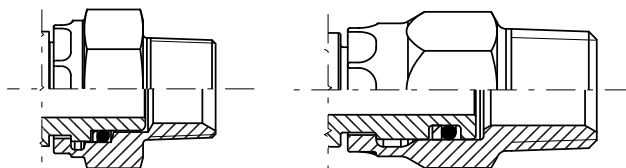
FITTING
NPTF-NPSM
 JIC
 ORFS
 SAE
 GREASE
 JIS
 BSP-BSPT
 METRIC
 SAE 3000 CODE 61
 STAPLE LOCK

code	ø hose			T	A		B		D		CH		
	dn	inch	size		mm	in	mm	in	mm	in	mm	in	↻ in
KG91K-04-04	6	1/4"	04	1/4"-18	18,5	0,73	14,0	0,55	28,0	1,10	17,0	0,669	11/16"
KG96K-04-06	6	1/4"	04	3/8"-18	19,5	0,77	14,0	0,55	37,0	1,46	19,0	0,748	3/4"
KG96K-06-06	10	3/8"	06	3/8"-18	21,5	0,85	14,0	0,55	40,0	1,57	19,0	0,748	3/4"
KG91K-06-08	10	3/8"	06	1/2"-14	25,0	0,98	19,0	0,75	45,5	1,79	27,0	1,063	1.1/16"
KG91K-08-08	12	1/2"	08	1/2"-14	26,5	1,04	19,0	0,75	45,5	1,79	27,0	1,063	1.1/16"
KG91K-12-12	19	3/4"	12	3/4"-14	32,5	1,28	19,0	0,75	49,5	1,95	36,0	1,417	1.7/16"
KG91K-16-16	25	1"	16	1"-11.1/2	34,0	1,34	24,2	0,95	52,5	2,07	38,0	1,496	1.1/2"

Nut type

KG91

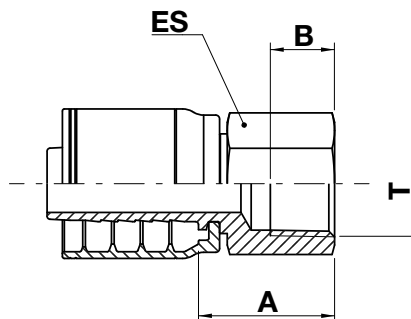
KG96 (imperial nut)



FN10K

NPTF female rigid**NO SKIVE**

SAE J514

**FITTING****NPTF-NPSM**

JIC

ORFS

SAE

GREASE


JIS

BSP-BSPT

METRIC

SAE 3000 CODE 61

STAPLE LOCK

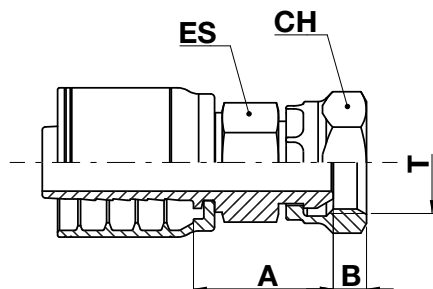
code	ø hose			T	A		B		ES		
	dn	inch	size		mm	in	mm	in	mm	in	 in
FN10K-04-02	6	1/4"	04	1/8"-27	21,5	0,85	7,87	0,31	17,0	0,669	11/16"
FN10K-04-04	6	1/4"	04	1/4"-18	26,5	1,04	11,9	0,47	19,0	0,748	3/4"
FN10K-04-06	6	1/4"	04	3/8"-18	28,0	1,10	12,7	0,50	22,0	0,866	7/8"
FN10K-06-04	10	3/8"	06	1/4"-18	26,5	1,04	12,0	0,47	19,0	0,748	3/4"
FN10K-06-06	10	3/8"	06	3/8"-18	28,0	1,10	12,7	0,50	22,0	0,866	7/8"
FN10K-06-08	10	3/8"	06	1/2"-14	33,0	1,30	16,8	0,66	27,0	1,063	1.1/16"
FN10K-08-06	12	1/2"	08	3/8"-18	28,5	1,12	12,7	0,50	22,0	0,866	7/8"
FN10K-08-08	12	1/2"	08	1/2"-14	33,5	1,32	17,0	0,67	27,0	1,063	1.1/16"
FN10K-12-12	19	3/4"	12	3/4"-14	35,5	1,40	16,8	0,66	32,0	1,260	1.1/4"
FN10K-16-16	25	1"	16	1"	44,0	1,73	21,3	0,84	38,0	1,496	1.1/2"

FN11K FN12K

NPTF female swivel (60° cone seat)

NO SKIVE

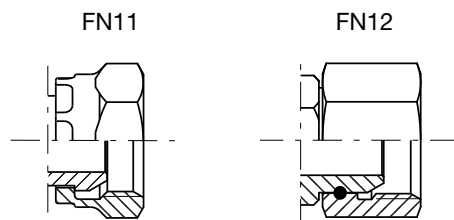
SAE J514



- FITTING**
- NPTF-NPSM**
 - JIC
 - ORFS
 - SAE
 - GREASE
 - JIS
 - BSP-BSPT
 - METRIC
 - SAE 3000 CODE 61
 - STAPLE LOCK

code	ø hose			T	A		B		ES			CH		
	dn	inch	size		mm	in	mm	in	mm	in	↗ in	mm	in	↗ in
FN11K-04-04	6	1/4"	04	1/4"-18	24,0	0,94	4,2	0,17	14,0	0,551	9/16"	19,0	0,748	3/4"
FN11K-04-06	6	1/4"	04	3/8"-18	26,5	1,04	5,7	0,22	22,0	0,866	7/8"	22,0	0,866	7/8"
FN11K-05-04	8	5/16"	05	1/4"-18	24,0	0,94	4,2	0,17	19,0	0,748	3/4"	19,0	0,748	3/4"
FN11K-06-06	10	3/8"	06	3/8"-18	26,5	1,04	5,7	0,22	22,0	0,866	7/8"	22,0	0,866	7/8"
FN11K-06-08	10	3/8"	06	1/2"-14	28,5	1,12	6,9	0,27	22,0	0,866	7/8"	27,0	1,063	1.1/16"
FN11K-08-08	12	1/2"	08	1/2"-14	29,0	1,14	6,9	0,27	22,0	0,866	7/8"	27,0	1,063	1.1/16"
FN11K-08-12	19	3/4"	08	3/4"-14	37,0	1,46	8,7	0,34	27,0	1,063	1.1/16"	32,0	1,260	1.1/4"
FN11K-12-12	19	3/4"	12	3/4"-14	36,8	1,45	8,7	0,34	27,0	1,063	1.1/16"	32,0	1,260	1.1/4"
FN12K-16-16	25	1"	16	1"-11.1/2	40,5	1,59	10,5	0,41	32,0	1,260	1.1/4"	38,0	1,496	1.1/2"

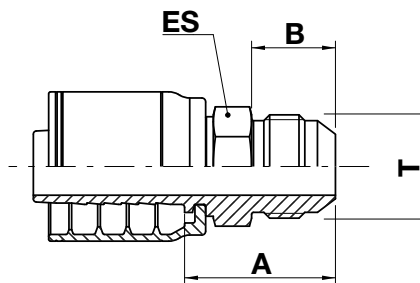
Nut type



MJ10K

**JIC 37° male****NO SKIVE**

ISO 8434-2 / SAE J514

**FITTING**

NPTF-NPSM

JIC

ORFS

SAE

GREASE

JIS

BSP-BSPT

METRIC

SAE 3000 CODE 61

STAPLE LOCK

code	ø hose			T	A		B		ES		
	dn	inch	size		mm	in	mm	in	mm	in	↻ in
MJ10K-04-04	6	1/4"	04	7/16"-20	26,5	1,04	14,0	0,55	14,0	0,551	9/16"
MJ10K-04-05	6	1/4"	04	1/2"-20	26,5	1,04	14,0	0,55	14,0	0,551	9/16"
MJ10K-04-06	6	1/4"	04	9/16"-18	27,5	1,08	14,0	0,55	17,0	0,669	11/16"
MJ10K-04-08	6	1/4"	04	3/4"-16	30,5	1,20	16,7	0,66	19,0	0,748	3/4"
MJ10K-05-05	8	5/16"	05	1/2"-20	26,5	1,04	14,0	0,55	14,0	0,551	9/16"
MJ10K-05-06	8	5/16"	05	9/16"-18	27,5	1,08	14,0	0,55	17,0	0,669	11/16"
MJ10K-06-06	10	3/8"	06	9/16"-18	27,5	1,08	14,1	0,56	17,0	0,669	11/16"
MJ10K-06-08	10	3/8"	06	3/4"-16	30,2	1,19	16,7	0,66	19,0	0,748	3/4"
MJ10K-06-10	10	3/8"	06	7/8"-14	34,8	1,37	19,3	0,76	24,0	0,945	15/16"
MJ10K-08-06	12	1/2"	08	9/16"-18	28,1	1,11	14,1	0,56	19,0	0,748	3/4"
MJ10K-08-08	12	1/2"	08	3/4"-16	30,7	1,21	16,7	0,66	19,0	0,748	3/4"
MJ10K-08-10	12	1/2"	08	7/8"-14	35,0	1,38	19,3	0,76	24,0	0,945	15/16"
MJ10K-08-12	12	1/2"	08	1.1/16"-12	39,0	1,54	21,9	0,86	27,0	1,063	1.1/16"
MJ10K-10-08	16	5/8"	10	3/4"-16	33,7	1,33	16,7	0,66	24,0	0,945	15/16"
MJ10K-10-10	16	5/8"	10	7/8"-14	35,3	1,39	19,3	0,76	24,0	0,945	15/16"
MJ10K-10-12	16	5/8"	10	1.1/16"-12	38,9	1,53	21,9	0,86	27,0	1,063	1.1/16"
MJ10K-12-10	19	3/4"	12	7/8"-14	36,8	1,45	19,3	0,76	27,0	1,063	1.1/16"
MJ10K-12-12	19	3/4"	12	1.1/16"-12	39,4	1,55	21,9	0,86	27,0	1,063	1.1/16"
MJ10K-12-14	19	3/4"	12	1.3/16"-12	40,1	1,58	22,6	0,89	32,0	1,260	1.1/4"



For wire braid hoses

← **MJ10K**

NO SKIVE

code	ø hose			T	A		B		ES		
	dn	inch	size		mm	in	mm	in	mm	in	↻ in
MJ10K-12-16	19	3/4"	12	1.5/16"-12	45,6	1,80	23,1	0,91	36,0	1,417	1.7/16"
MJ10K-16-16	25	1"	16	1.5/16"-12	47,1	1,85	23,1	0,91	36,0	1,417	1.7/16"
MJ10K-16-20	25	1"	16	1.5/8"-12	58,5	2,30	24,3	0,96	46,0	1,811	1.13/16"

K



FITTING

- NPTF-NPSM
- JIC**
- ORFS
- SAE
- GREASE
- JIS
- BSP-BSPT
- METRIC
- SAE 3000 CODE 61
- STAPLE LOCK



FJ11K FJ13K FJ16K FJ12K**JIC 37° female swivel**

NO SKIVE

ISO 8434-2 / SAE J514

FITTING

NPTF-NPSM

JIC

ORFS

SAE

GREASE

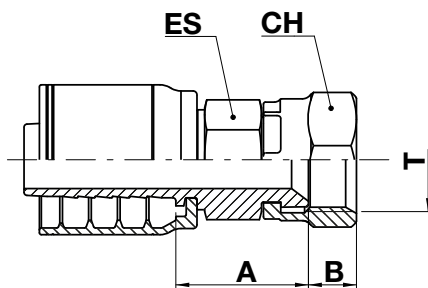
JIS

BSP-BSPT

METRIC

SAE 3000 CODE 61

STAPLE LOCK



code	ø hose			T	A		B		ES			CH		
	dn	inch	size		mm	in	mm	in	mm	in	↗ in	mm	in	↗ in
FJ11K-03-04	5	3/16"	03	7/16"-20	19,6	0,77	8,7	0,34	11,1	0,437	7/16"	14,0	0,551	9/16"
FJ11K-04-04	6	1/4"	04	7/16"-20	20,8	0,82	8,7	0,34	14,0	0,551	9/16"	14,0	0,551	9/16"
FJ11K-04-05	6	1/4"	04	1/2"-20	21,5	0,85	9,5	0,37	14,0	0,551	9/16"	17,0	0,669	11/16"
FJ11K-04-06	6	1/4"	04	9/16"-18	23,0	0,91	9,5	0,37	14,0	0,551	9/16"	19,0	0,748	3/4"
FJ16K-04-06	6	1/4"	04	9/16"-18	21,5	0,85	9,5	0,37	14,0	0,551	9/16"	17,46	0,687	11/16"
FJ13K-04-08	6	1/4"	04	3/4"-16	18,5	0,73	10,3	0,41	-	-	-	22,0	0,866	7/8"
FJ11K-05-05	8	5/16"	05	1/2"-20	15,5	0,61	9,5	0,37	-	-	-	17,0	0,669	11/16"
FJ11K-05-06	8	5/16"	05	9/16"-18	21,0	0,83	9,5	0,37	14,0	0,551	9/16"	19,0	0,748	3/4"
FJ16K-05-06	8	5/16"	05	9/16"-18	21,0	0,83	9,5	0,37	14,0	0,551	9/16"	17,46	0,687	11/16"
FJ11K-06-04	10	3/8"	06	7/16"-20	22,0	0,87	8,7	0,34	17,0	0,669	11/16"	14,0	0,551	9/16"
FJ11K-06-05	10	3/8"	06	1/2"-20	22,5	0,89	10,5	0,41	17,0	0,669	11/16"	17,0	0,669	11/16"
FJ11K-06-06	10	3/8"	06	9/16"-18	24,0	0,94	9,5	0,37	17,0	0,669	11/16"	19,0	0,748	3/4"
FJ16K-06-06	10	3/8"	06	9/16"-18	24,0	0,94	9,5	0,37	17,0	0,669	11/16"	17,46	0,687	11/16"
FJ11K-06-08	10	3/8"	06	3/4"-16	26,0	1,02	10,7	0,42	19,0	0,748	3/4"	22,0	0,866	7/8"
FJ11K-06-10	10	3/8"	06	7/8"-14	28,5	1,12	12,7	0,50	22,0	0,866	7/8"	27,0	1,063	1.1/16"
FJ11K-08-06	12	1/2"	08	9/16"-18	26,5	1,04	9,5	0,37	19,0	0,748	3/4"	19,0	0,748	3/4"
FJ16K-08-06	12	1/2"	08	9/16"-18	26,5	1,04	9,5	0,37	19,0	0,748	3/4"	17,46	0,687	11/16"
FJ11K-08-08	12	1/2"	08	3/4"-16	26,5	1,04	10,7	0,42	19,0	0,748	3/4"	22,0	0,866	7/8"
FJ11K-08-10	12	1/2"	08	7/8"-14	28,5	1,12	12,7	0,50	22,0	0,866	7/8"	27,0	1,063	1.1/16"



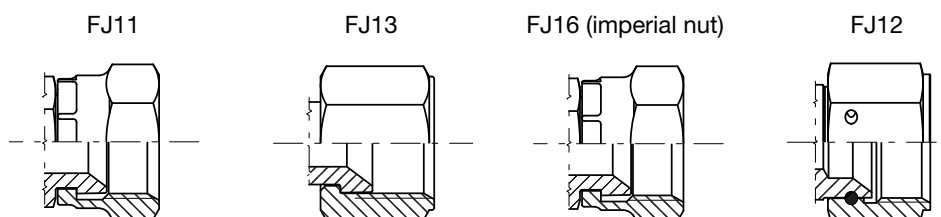
← **FJ11K FJ13K FJ16K FJ12K**

NO SKIVE

code	ø hose			T	A		B		ES			CH		
	dn	inch	size		mm	in	mm	in	mm	in	↗ in	mm	in	↗ in
FJ11K-08-12	12	1/2"	08	1.1/16"-12	34,0	1,34	14,3	0,56	27,0	1,063	1.1/16"	32,0	1,260	1.1/4"
FJ11K-10-08	16	5/8"	10	3/4"-16	28,5	1,12	10,7	0,42	22,0	0,866	7/8"	22,0	0,866	7/8"
FJ11K-10-10	16	5/8"	10	7/8"-14	28,5	1,12	12,7	0,50	22,0	0,866	7/8"	27,0	1,063	1.1/16"
FJ11K-10-12	16	5/8"	10	1.1/16"-12	34,0	1,34	14,3	0,56	27,0	1,063	1.1/16"	32,0	1,260	1.1/4"
FJ11K-12-10	19	3/4"	12	7/8"-14	35,0	1,38	12,7	0,50	27,0	1,063	1.1/16"	27,0	1,063	1.1/16"
FJ11K-12-12	19	3/4"	12	1.1/16"-12	34,5	1,36	14,3	0,56	27,0	1,063	1.1/16"	32,0	1,260	1.1/4"
FJ11K-12-14	19	3/4"	12	1.3/16"-12	31,0	1,22	14,5	0,57	30,0	1,181	1.3/16"	36,0	1,417	1.7/16"
FJ11K-12-16	19	3/4"	12	1.5/16"-12	38,5	1,51	15,1	0,59	32,0	1,260	1.1/4"	38,0	1,496	1.1/2"
FJ11K-16-12	25	1"	16	1.1/16"-12	38,0	1,50	14,3	0,56	32,0	1,260	1.1/4"	32,0	1,260	1.1/4"
FJ11K-16-16	25	1"	16	1.5/16"-12	38,0	1,50	15,1	0,59	32,0	1,260	1.1/4"	38,0	1,496	1.1/2"
FJ12K-16-20	25	1"	16	1.5/8"-12	30,0	1,18	15,9	0,63	-	-	-	50,0	1,969	2"

.....
FITTING
 NPTF-NPSM
JIC
 ORFS
 SAE
 GREASE
 JIS
 BSP-BSPT
 METRIC
 SAE 3000 CODE 61
 STAPLE LOCK

Nut type



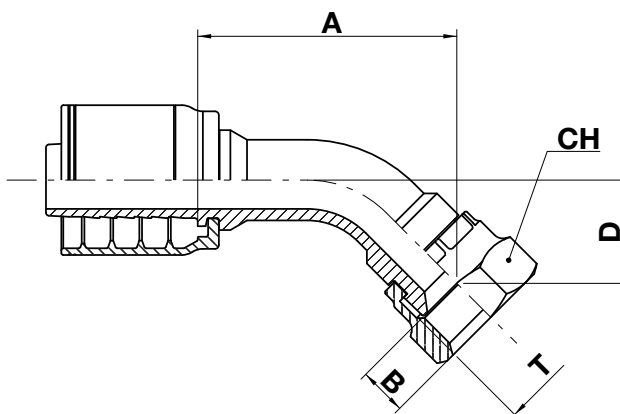
FJ41K FJ43K FJ46K



JIC 37° female swivel - 45° elbow

NO SKIVE

ISO 8434-2 / SAE J514



FITTING

NPTF-NPSM

JIC

ORFS

SAE

GREASE

JIS

BSP-BSPT

METRIC

SAE 3000 CODE 61

STAPLE LOCK

code	ø hose			T	A		B		D		CH		
	dn	inch	size		mm	in	mm	in	mm	in	mm	in	↻ in
FJ41K-04-04	6	1/4"	04	7/16"-20	32,0	1,26	8,7	0,34	11,1	0,44	14,0	0,551	9/16"
FJ41K-04-05	6	1/4"	04	1/2"-20	34,5	1,36	10,5	0,41	14,8	0,58	17,0	0,669	11/16"
FJ43K-04-06	6	1/4"	04	9/16"-18	33,1	1,30	9,5	0,37	13,4	0,53	19,0	0,748	3/4"
FJ46K-04-06	6	1/4"	04	9/16"-18	33,1	1,30	9,5	0,37	13,4	0,53	17,46	0,687	11/16"
FJ41K-05-05	8	5/16"	05	1/2"-20	38,5	1,52	9,5	0,37	14,8	0,59	17,0	0,669	11/16"
FJ41K-05-06	8	5/16"	05	9/16"-18	30,9	1,22	9,5	0,37	12,1	0,48	19,0	0,748	3/4"
FJ41K-06-06	10	3/8"	06	9/16"-18	33,9	1,33	9,5	0,37	12,1	0,48	19,0	0,748	3/4"
FJ46K-06-06	10	3/8"	06	9/16"-18	33,9	1,33	9,5	0,37	12,1	0,48	17,46	0,687	11/16"
FJ43K-06-08	10	3/8"	06	3/4"-16	42,5	1,67	10,7	0,42	15,0	0,59	22,0	0,866	7/8"
FJ43K-06-10	10	3/8"	06	7/8"-14	50,5	1,99	12,5	0,49	19,4	0,76	27,0	1,063	1.1/16"
FJ41K-08-08	12	1/2"	08	3/4"-16	40,7	1,60	10,7	0,42	13,8	0,54	22,0	0,866	7/8"
FJ43K-08-10	12	1/2"	08	7/8"-14	44,0	1,73	12,5	0,49	16,0	0,63	27,0	1,063	1.1/16"
FJ41K-10-10	16	5/8"	10	7/8"-14	54,0	2,13	12,7	0,50	16,0	0,63	27,0	1,063	1.1/16"
FJ41K-10-12	16	5/8"	10	1.1/16"-12	60,5	2,38	14,3	0,56	21,0	0,83	32,0	1,260	1.1/4"
FJ41K-12-12	19	3/4"	12	1.1/16"-12	64,5	2,54	14,3	0,56	21,0	0,83	32,0	1,260	1.1/4"
FJ41K-12-14	19	3/4"	12	1.3/16"-12	63,9	2,52	14,5	0,57	23,2	0,91	36,0	1,417	1.7/16"
FJ41K-12-16	19	3/4"	12	1.5/16"-12	71,5	2,81	15,1	0,59	31,8	1,25	38,0	1,496	1.1/2"
FJ41K-16-16	25	1"	16	1.5/16"-12	86,0	3,38	15,1	0,59	34,5	1,36	38,0	1,496	1.1/2"



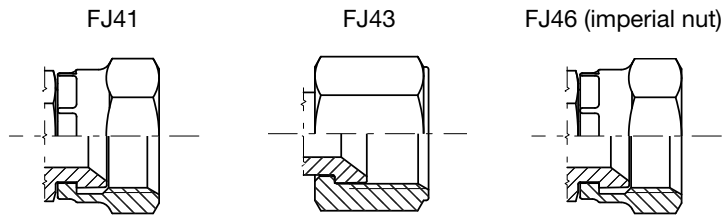
For wire braid hoses



← **FJ41K FJ43K FJ46K**

NO SKIVE

Nut type



.....
FITTING

NPTF-NPSM

JIC

ORFS

SAE

GREASE

JIS

BSP-BSPT

METRIC

SAE 3000 CODE 61

STAPLE LOCK



FJ91K

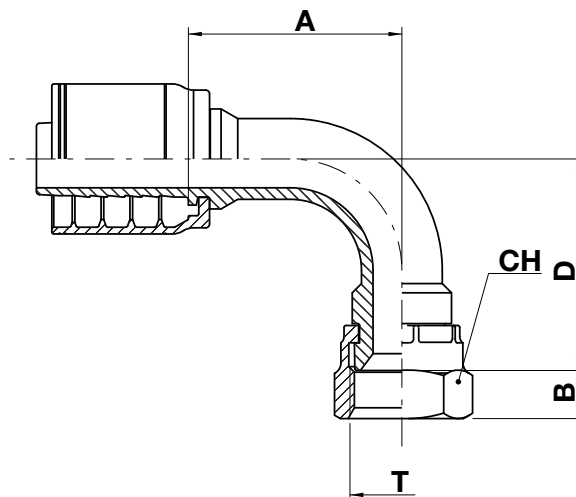
FJ93K FJ96K FJ92K



JIC 37° female swivel - 90° elbow

NO SKIVE

ISO 8434-2 / SAE J514



FITTING

NPTF-NPSM

JIC

ORFS

SAE

GREASE

JIS

BSP-BSPT

METRIC

SAE 3000 CODE 61

STAPLE LOCK

code	ø hose			T	A		B		D		CH		
	dn	inch	size		mm	in	mm	in	mm	in	mm	in	↻ in
FJ91K-04-04	6	1/4"	04	7/16"-20	27,0	1,06	8,7	0,34	21,0	0,83	14,0	0,551	9/16"
FJ91K-04-05	6	1/4"	04	1/2"-20	30,8	1,21	9,5	0,37	30,0	1,18	17,0	0,669	11/16"
FJ93K-04-06	6	1/4"	04	9/16"-18	28,5	1,12	9,5	0,37	28,0	1,10	19,0	0,748	3/4"
FJ96K-04-06	6	1/4"	04	9/16"-18	28,5	1,12	9,5	0,37	23,0	0,91	17,46	0,687	11/16"
FJ91K-05-05	8	5/16"	05	1/2"-20	32,8	1,26	9,5	0,37	30,0	1,18	17,0	0,669	11/16"
FJ91K-05-06	8	5/16"	05	9/16"-18	26,8	1,06	9,5	0,37	23,0	0,91	19,0	0,748	3/4"
FJ91K-06-06	10	3/8"	06	9/16"-18	27,8	1,09	9,5	0,37	23,0	0,91	19,0	0,748	3/4"
FJ96K-06-06	10	3/8"	06	9/16"-18	27,8	1,09	9,5	0,37	23,0	0,91	17,46	0,687	11/16"
FJ93K-06-08	10	3/8"	06	3/4"-16	35,0	1,38	10,7	0,42	30,0	1,18	22,0	0,866	7/8"
FJ93K-06-10	10	3/8"	06	7/8"-14	37,1	1,46	12,5	0,49	38,0	1,50	27,0	1,063	1.1/16"
FJ91K-08-06	12	1/2"	08	9/16"-18	33,5	1,32	9,5	0,37	23,0	0,91	19,0	0,748	3/4"
FJ91K-08-08	12	1/2"	08	3/4"-16	39,5	1,56	10,7	0,42	30,0	1,18	22,0	0,866	7/8"
FJ93K-08-10	12	1/2"	08	7/8"-14	44,0	1,73	12,5	0,49	32,0	1,26	27,0	1,063	1.1/16"
FJ91K-08-12	12	1/2"	08	1.1/16"-12	44,0	1,73	14,3	0,56	48,0	1,89	32,0	1,260	1.1/4"
FJ91K-10-10	16	5/8"	10	7/8"-14	48,5	1,91	12,5	0,49	32,0	1,26	27,0	1,063	1.1/16"
FJ91K-10-12	16	5/8"	10	1.1/16"-12	56,0	2,26	14,3	0,56	48,0	1,89	32,0	1,260	1.1/4"
FJ91K-12-12	19	3/4"	12	1.1/16"-12	61,0	2,41	14,3	0,56	48,0	1,89	32,0	1,260	1.1/4"
FJ91K-12-16	19	3/4"	12	1.5/16"-12	55,5	2,19	15,1	0,61	62,0	2,44	38,0	1,496	1.1/2"
FJ91K-16-16	25	1"	16	1.5/16"-12	75,5	2,97	15,1	0,61	71,0	2,80	38,0	1,496	1.1/2"



For wire braid hoses



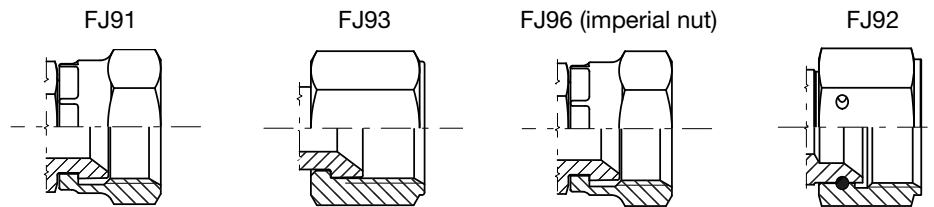
← **FJ91K FJ93K FJ96K FJ92K**

NO SKIVE

code	ø hose			T	A		B		D		CH		
	dn	inch	size		mm	in	mm	in	mm	in	mm	in	↻ in
FJ92K-16-20	25	1"	16	1.5/8"-12	79,5	3,13	16,0	0,63	79,5	3,13	50,0	1,969	2"

-
- FITTING**
- NPTF-NPSM
 - JIC**
 - ORFS
 - SAE
 - GREASE
 - JIS
 - BSP-BSPT
 - METRIC
 - SAE 3000 CODE 61
 - STAPLE LOCK

Nut type

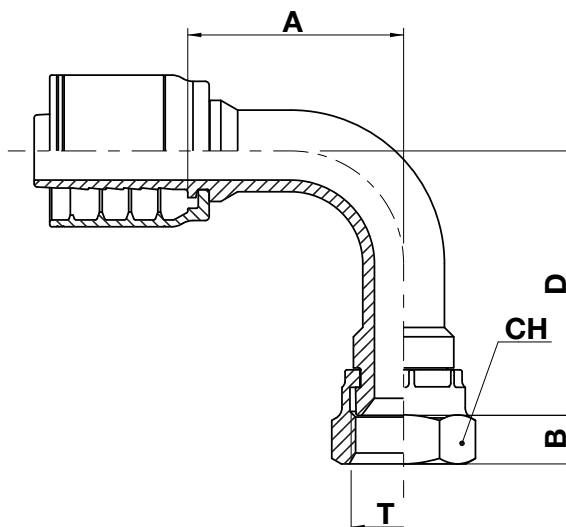


FJ91K-M FJ93K-M

JIC 37° female swivel - 90° elbow (medium drop)

NO SKIVE

ISO 8434-2 / SAE J514



FITTING

NPTF-NPSM

JIC

ORFS

SAE

GREASE

JIS

BSP-BSPT

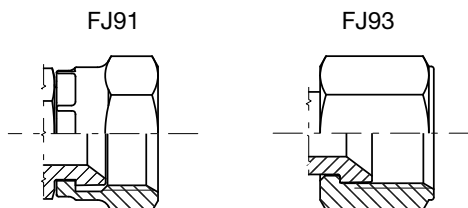
METRIC

SAE 3000 CODE 61

STAPLE LOCK

code	ø hose			T	A		B		D		CH		
	dn	inch	size		mm	in	mm	in	mm	in	mm	in	↻ in
FJ91K-04-04-M	6	1/4"	04	7/16"-20	27,0	1,06	8,7	0,34	32,0	1,26	14,0	0,551	9/16"
FJ93K-04-06-M	6	1/4"	04	9/16"-18	28,5	1,12	9,5	0,37	38,0	1,50	19,0	0,748	3/4"
FJ91K-06-06-33	10	3/8"	06	9/16"-18	27,8	1,09	9,5	0,37	33,0	1,30	19,0	0,748	3/4"
FJ91K-06-06-M	10	3/8"	06	9/16"-18	27,8	1,09	9,5	0,37	38,0	1,50	19,0	0,748	3/4"
FJ91K-06-08-M	10	3/8"	06	3/4"-16	33,5	1,32	10,7	0,42	41,0	1,73	22,0	0,866	7/8"
FJ91K-08-08-M	12	1/2"	08	3/4"-16	39,5	1,56	10,7	0,42	41,0	1,73	22,0	0,866	7/8"
FJ93K-08-10-M	16	5/8"	10	7/8"-14	44,0	1,73	12,5	0,49	47,0	1,85	27,0	1,062	1.1/16"
FJ91K-08-12-M	12	1/2"	08	1.1/16"-12	46,5	1,83	14,3	0,56	58,0	2,28	32,0	1,260	-
FJ91K-10-10-M	16	5/8"	10	7/8"-14	48,5	1,91	12,5	0,49	47,0	1,85	27,0	1,062	1.1/16"
FJ91K-10-12-M	16	5/8"	10	1.1/16"-12	55,0	2,17	14,3	0,56	58,0	2,28	32,0	1,260	-
FJ91K-12-12-M	19	3/4"	12	1.1/16"-12	56,0	2,20	14,3	0,56	58,0	2,28	32,0	1,260	-

Nut type

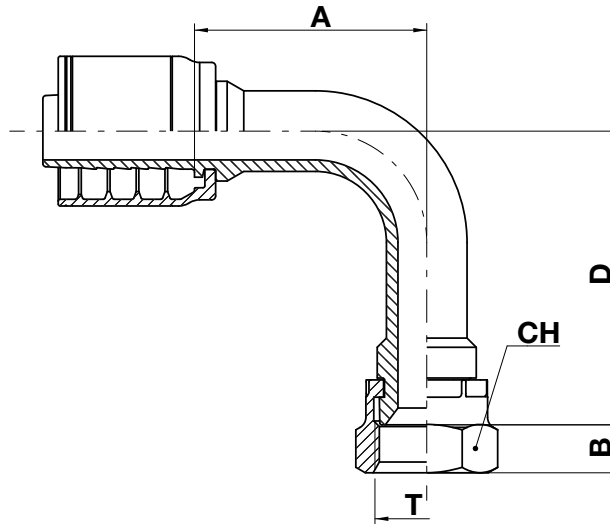


FJ91K-L FJ93K-L FJ96K-L

JIC 37° female swivel - 90° elbow (long drop)

NO SKIVE

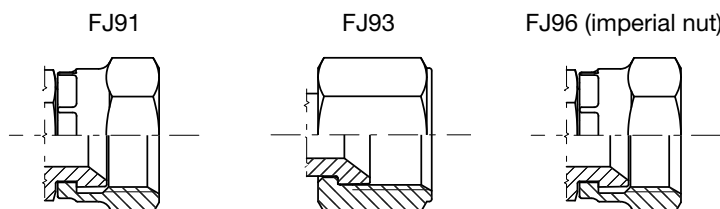
ISO 8434-2 / SAE J514



-
- FITTING**
- NPTF-NPSM
 - JIC**
 - ORFS
 - SAE
 - GREASE
 - JIS
 - BSP-BSPT
 - METRIC
 - SAE 3000 CODE 61
 - STAPLE LOCK

code	ø hose			T	A		B		D		CH		
	dn	inch	size		mm	in	mm	in	mm	in	mm	in	↗ in
FJ91K-04-04-L	6	1/4"	04	7/16"-20	27,0	1,06	8,7	0,34	46,0	1,81	14,0	0,551	9/16"
FJ91K-04-05-L	6	1/4"	04	1/2"-20	30,8	1,21	9,5	0,37	46,0	1,81	17,0	0,669	11/16"
FJ93K-04-06-L	6	1/4"	04	9/16"-18	28,5	1,12	9,5	0,37	56,0	2,20	19,0	0,748	3/4"
FJ96K-04-06-L	6	1/4"	04	9/16"-18	28,5	1,12	9,5	0,37	56,0	2,20	17,46	0,687	11/16"
FJ91K-06-06-L	10	3/8"	06	9/16"-18	27,8	1,09	9,5	0,37	56,0	2,20	19,0	0,748	3/4"
FJ93K-06-08-L	10	3/8"	06	3/4"-16	35,0	1,38	10,7	0,42	62,0	2,44	22,0	0,866	7/8"
FJ91K-08-08-L	12	1/2"	08	3/4"-16	39,5	1,56	10,7	0,42	62,0	2,44	22,0	0,866	7/8"
FJ93K-08-10-65	16	5/8"	10	7/8"-14	54,0	2,13	12,5	0,49	65,0	2,56	27,0	1,063	1.1/16"
FJ93K-08-10-L	16	5/8"	10	7/8"-14	54,0	2,13	12,5	0,49	70,0	2,76	27,0	1,063	1.1/16"
FJ91K-10-10-65	16	5/8"	10	7/8"-14	54,0	2,13	12,5	0,49	65,0	2,56	27,0	1,063	1.1/16"
FJ91K-10-10-L	16	5/8"	10	7/8"-14	54,0	2,13	12,5	0,49	70,0	2,76	27,0	1,063	1.1/16"
FJ91K-10-12-L	16	5/8"	10	1.1/16"-12	55,0	2,16	14,3	0,56	96,0	3,78	32,0	1,260	1.1/4"
FJ91K-12-12-L	19	3/4"	12	1.1/16"-12	55,5	2,19	14,3	0,56	96,0	3,78	32,0	1,260	1.1/4"
FJ91K-16-16-110	25	1"	16	1.5/16"-12	75,5	2,97	15,1	0,61	110,0	4,33	38,0	1,496	1.1/2"
FJ91K-16-16-L	25	1"	16	1.5/16"-12	75,5	2,97	15,1	0,61	114,0	4,49	38,0	1,496	1.1/2"

Nut type

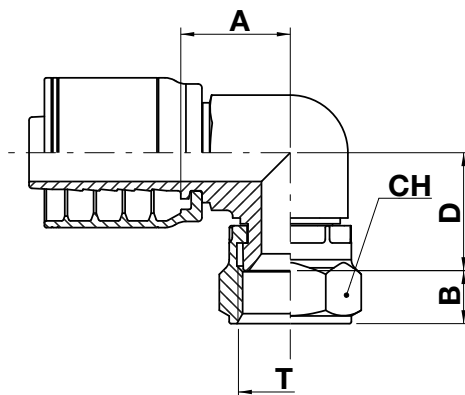


KJ91K KJ96K

JIC 37° female swivel - 90° compact elbow

NO SKIVE

ISO 8434-2 / SAE J514



FITTING

NPTF-NPSM

JIC

ORFS

SAE

GREASE

JIS

BSP-BSPT

METRIC

SAE 3000 CODE 61

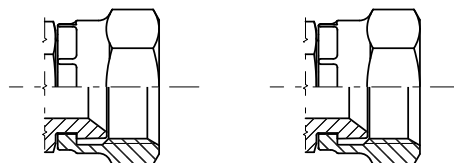
STAPLE LOCK

code	ø hose			T	A		B		D		CH		
	dn	inch	size		mm	in	mm	in	mm	in	mm	in	↻ in
KJ91K-04-04	6	1/4"	04	7/16"-20	18,5	0,73	8,7	0,34	19,6	0,77	17,0	0,669	11/16"
KJ91K-04-06	6	1/4"	04	9/16"-18	18,5	0,73	9,5	0,37	21,5	0,85	19,0	0,748	3/4"
KJ96K-04-06	6	1/4"	04	9/16"-18	18,5	0,73	8,5	0,33	21,8	0,86	17,46	0,687	11/16"
KJ91K-06-06	10	3/8"	06	9/16"-18	21,5	0,85	8,5	0,33	24,0	0,94	19,0	0,748	3/4"
KJ96K-06-06	10	3/8"	06	9/16"-18	21,5	0,85	8,5	0,33	23,0	0,91	17,46	0,687	11/16"
KJ91K-06-08	10	3/8"	06	3/4"-16	21,5	0,85	10,5	0,41	24,9	0,98	22,0	0,866	7/8"
KJ91K-08-08	12	1/2"	08	3/4"-16	25,0	0,98	9,5	0,37	26,9	1,06	22,0	0,866	7/8"
KJ91K-08-10	12	1/2"	08	7/8"-14	25,0	0,98	13,0	0,51	28,3	1,11	27,0	1,063	1.1/16"
KJ91K-10-10	16	5/8"	10	7/8"-14	26,0	1,02	13,0	0,51	27,7	1,09	27,0	1,063	1.1/16"
KJ91K-10-12	16	5/8"	10	1.1/16"-12	29,0	1,14	14,5	0,57	30,0	1,18	32,0	1,260	1.1/4"
KJ91K-12-12	19	3/4"	12	1.1/16"-12	28,5	1,12	14,3	0,56	30,7	1,21	32,0	1,260	1.1/4"
KJ91K-16-16	25	1"	16	1.5/16"-12	34,0	1,34	14,5	0,57	32,5	1,28	38,0	1,496	1.1/2"

Nut type

KJ91

KJ96 (imperial nut)

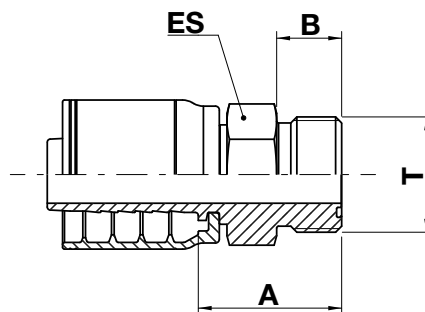


OM10K*

ORFS male

NO SKIVE

ISO 8434-3 / SAE J1453



FITTING
 NPTF-NPSM
 JIC
ORFS
 SAE
 GREASE
 JIS
 BSP-BSPT
 METRIC
 SAE 3000 CODE 61
 STAPLE LOCK

code	ø hose			T	A		B		ES		
	dn	inch	size		mm	in	mm	in	mm	in	↗ in
OM10K-04-04	6	1/4"	04	9/16"-18	24,0	0,94	10,0	0,40	15,0	0,591	5/8"
OM10K-04-06	6	1/4"	04	11/16"-16	26,5	1,04	11,2	0,44	19,0	0,748	3/4"
OM10K-06-06	10	3/8"	06	11/16"-16	26,5	1,04	11,2	0,44	19,0	0,748	3/4"
OM10K-06-08	10	3/8"	06	13/16"-16	29,0	1,14	13,2	0,52	22,0	0,866	7/8"
OM10K-08-08	12	1/2"	08	13/16"-16	29,5	1,16	13,2	0,52	22,0	0,866	7/8"
OM10K-08-10	12	1/2"	08	1"-14	34,0	1,34	15,7	0,62	27,0	1,063	1.1/16"
OM10K-08-12	12	1/2"	08	1.3/16"-12	37,0	1,46	17,0	0,67	32,0	1,260	1.1/4"
OM10K-10-08	16	5/8"	10	1.3/16"-16	29,5	1,16	13,2	0,52	22,0	0,866	7/8"
OM10K-10-10	16	5/8"	10	1"-14	34,0	1,34	15,7	0,62	27,0	1,063	1.1/16"
OM10K-10-12	16	5/8"	10	1.3/16"-12	37,0	1,46	17,0	0,67	32,0	1,260	1.1/4"
OM10K-12-10	19	3/4"	12	1"-14	34,5	1,36	15,7	0,62	27,0	1,063	1.1/16"
OM10K-12-12	19	3/4"	12	1.3/16"-12	37,5	1,48	17,0	0,67	32,0	1,260	1.1/4"
OM10K-12-16	19	3/4"	12	1.7/16"-12	40,0	1,57	17,5	0,69	41,0	1,614	1.5/8"
OM10K-16-16	25	1"	16	1.7/16"-12	41,5	1,63	17,5	0,69	41,0	1,614	1.5/8"

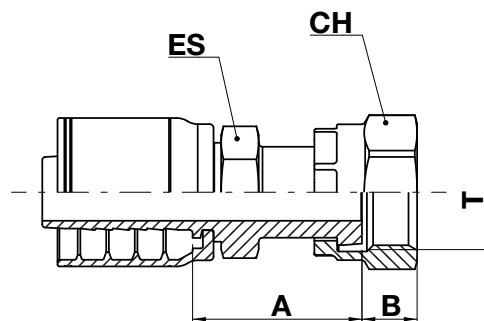
* OM13K complete with O-ring

OR13K

ORFS female swivel

NO SKIVE

ISO 8434-3 / SAE J1453



FITTING

NPTF-NPSM

JIC

ORFS

SAE

GREASE

JIS

BSP-BSPT

METRIC

SAE 3000 CODE 61

STAPLE LOCK

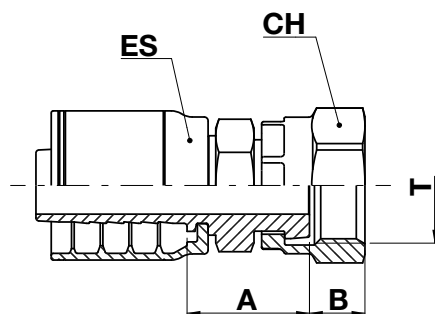
code	ø hose			T	A		B		ES			CH		
	dn	inch	size		mm	in	mm	in	mm	in	↻ in	mm	in	↻ in
OR13K-04-04	6	1/4"	04	9/16"-18	28,0	1,10	8,0	0,31	14,0	0,551	9/16"	17,0	0,669	11/16"
OR13K-04-06	6	1/4"	04	11/16"-16	31,5	1,24	9,5	0,37	17,0	0,669	11/16"	22,0	0,866	7/8"
OR13K-05-06	8	5/16"	05	11/16"-16	32,0	1,26	9,5	0,37	17,0	0,669	11/16"	22,0	0,866	7/8"
OR13K-06-04	10	3/8"	06	9/16"-18	30,5	1,2,0	8,0	0,31	17,0	0,669	11/16"	17,0	0,669	11/16"
OR13K-06-06	10	3/8"	06	11/16"-16	32,0	1,26	9,5	0,37	17,0	0,669	11/16"	22,0	0,866	7/8"
OR13K-06-08	10	3/8"	06	13/16"-16	36,5	1,44	11,0	0,43	19,0	0,748	3/4"	24,0	0,945	15/16"
OR13K-08-06	12	1/2"	08	11/16"-16	31,5	1,24	9,5	0,37	19,0	0,748	3/4"	22,0	0,866	7/8"
OR13K-08-08	12	1/2"	08	13/16"-16	35,0	1,38	11,0	0,43	19,0	0,748	3/4"	24,0	0,945	15/16"
OR13K-08-10	12	1/2"	08	1"-14	39,0	1,54	13,5	0,53	24,0	0,945	15/16"	30,0	1,181	1.3/16"
OR13K-08-12	12	1/2"	08	1.3/16"-12	44,0	1,73	14,5	0,57	30,0	1,181	1.3/16"	36,0	1,417	1.7/16"
OR13K-10-10	16	5/8"	10	1"-14	39,0	1,54	13,5	0,53	24,0	0,945	15/16"	30,0	1,118	1.3/16"
OR13K-10-12	16	5/8"	10	1.3/16"-12	44,0	1,73	14,5	0,57	30,0	1,181	1.3/16"	36,0	1,417	1.7/16"
OR13K-12-10	19	3/4"	12	1"-14	42,0	1,65	13,5	0,53	27,0	1,063	1.1/16"	30,0	1,181	1.3/16"
OR13K-12-12	19	3/4"	12	1.3/16"-12	44,6	1,76	14,5	0,57	30,0	1,181	1.3/16"	36,0	1,417	1.7/16"
OR13K-12-16	19	3/4"	12	1.7/16"-12	51,5	2,03	14,8	0,58	36,0	1,417	1.7/16"	41,0	1,614	1.5/8"
OR13K-16-16	25	1"	16	1.7/16"-12	52,5	2,07	14,8	0,58	36,0	1,417	1.7/16"	41,0	1,614	1.5/8"

OR11K

ORFS short female swivel

NO SKIVE

ISO 8434-3 / SAE J1453

**FITTING**

NPTF-NPSM
 JIC
ORFS
 SAE
 GREASE
 JIS
 BSP-BSPT
 METRIC
 SAE 3000 CODE 61
 STAPLE LOCK

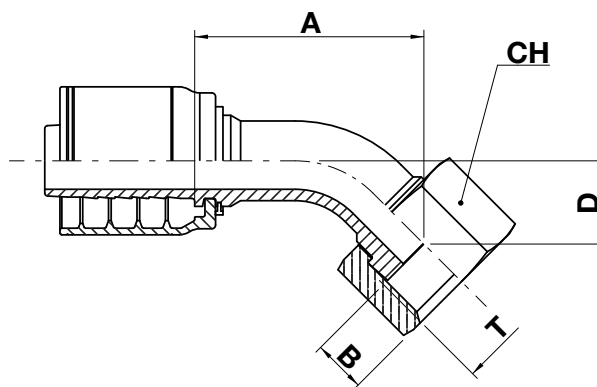
code	ø hose			T	A		B		ES			CH		
	dn	inch	size		mm	in	mm	in	mm	in	↻in	mm	in	↻in
OR11K-04-04	6	1/4"	04	9/16"-18	22,0	0,87	8,0	0,31	14,0	0,551	9/16"	17,0	0,669	11/16"
OR11K-04-06	6	1/4"	04	11/16"-16	23,5	0,92	9,5	0,37	17,0	0,669	11/16"	22,0	0,866	7/8"
OR11K-06-04	10	3/8"	06	9/16"-18	23,0	0,90	8,0	0,31	17,0	0,669	11/16"	17,0	0,669	11/16"
OR11K-06-06	10	3/8"	06	11/16"-16	23,5	0,92	9,5	0,37	17,0	0,669	11/16"	22,0	0,866	7/8"
OR11K-06-08	10	3/8"	06	13/16"-16	27,0	1,06	11,0	0,43	19,0	0,748	3/4"	24,0	0,945	15/16"
OR11K-08-06	12	1/2"	08	11/16"-16	25,0	0,98	9,5	0,37	19,0	0,748	3/4"	22,0	0,866	7/8"
OR11K-08-08	12	1/2"	08	13/16"-16	27,5	1,08	11,0	0,43	19,0	0,748	3/4"	24,0	0,945	15/16"
OR11K-08-10	12	1/2"	08	1"-14	29,0	1,14	13,5	0,53	24,0	0,945	15/16"	30,0	1,181	1.3/16"
OR11K-10-08	16	5/8"	10	13/16"-16	28,5	1,12	11,0	0,43	24,0	0,945	15/16"	24,0	0,945	15/16"
OR11K-10-10	16	5/8"	10	1"-14	29,0	1,14	13,5	0,53	24,0	0,945	15/16"	30,0	1,181	1.3/16"
OR11K-10-12	16	5/8"	10	1.3/16"-12	31,5	1,24	14,5	0,57	30,0	1,181	1.3/16"	36,0	1,417	1.7/16"
OR11K-12-12	19	3/4"	12	1.3/16"-12	32,0	1,26	14,5	0,57	30,0	1,181	1.3/16"	36,0	1,417	1.7/16"
OR11K-12-16	19	3/4"	12	1.7/16"-12	38,5	1,52	14,8	0,58	36,0	1,417	1.7/16"	41,0	1,614	1.5/8"
OR11K-16-16	25	1"	16	1.7/16"-12	40,0	1,57	14,8	0,58	36,0	1,417	1.7/16"	41,0	1,614	1.5/8"

OR44K OR43K

ORFS female swivel - 45° elbow

NO SKIVE

ISO 8434-3 / SAE J1453



FITTING

NPTF-NPSM

JIC

ORFS

SAE

GREASE

JIS

BSP-BSPT

METRIC

SAE 3000 CODE 61

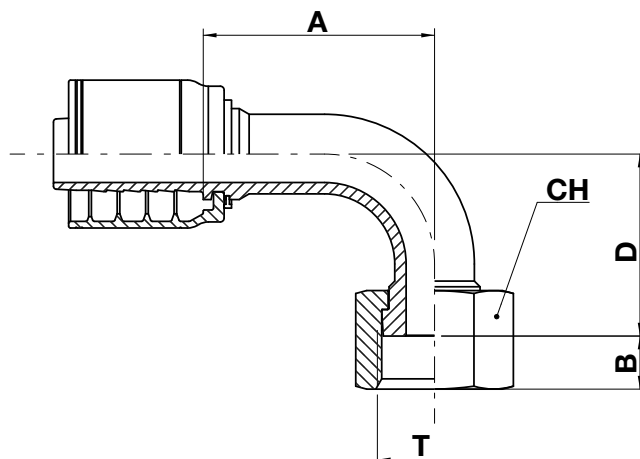
STAPLE LOCK

code	ø hose			T	A		B		D		CH		
	dn	inch	size		mm	in	mm	in	mm	in	mm	in	↗ in
OR44K-04-04	6	1/4"	04	9/16"-18	29,5	1,16	8,0	0,31	10,0	0,39	17,0	0,669	11/16"
OR44K-04-06	6	1/4"	04	11/16"-16	29,0	1,14	9,5	0,37	11,0	0,43	22,0	0,866	7/8"
OR44K-05-06	8	5/16"	05	11/16"-16	35,5	1,40	9,5	0,37	11,0	0,43	22,0	0,866	7/8"
OR43K-06-04	10	3/8"	06	13/16"-16	32,5	1,28	8,0	0,31	10,0	0,39	17,0	0,669	11/16"
OR44K-06-06	10	3/8"	06	11/16"-16	35,5	1,40	9,5	0,37	11,0	0,43	22,0	0,866	7/8"
OR44K-06-08	10	3/8"	06	13/16"-16	38,5	1,51	11,0	0,43	15,0	0,59	24,0	0,945	15/16"
OR43K-08-06	12	1/2"	08	11/16"-16	38,5	1,51	9,5	0,37	11,0	0,43	22,0	0,866	7/8"
OR44K-08-08	12	1/2"	08	13/16"-16	43,0	1,69	11,0	0,43	15,0	0,59	24,0	0,945	15/16"
OR44K-08-10	12	1/2"	08	1"-14	43,5	1,71	13,5	0,53	16,0	0,63	30,0	1,181	1.3/16"
OR43K-08-12	12	1/2"	08	1.3/16"-12	56,5	2,22	14,5	0,57	18,9	0,74	36,0	1,417	1.7/16"
OR44K-10-10	16	5/8"	10	1"-14	48,5	1,91	13,5	0,53	16,0	0,63	30,0	1,181	1.3/16"
OR44K-10-12	16	5/8"	10	1.3/16"-12	60,5	2,38	14,5	0,57	21,0	0,83	36,0	1,417	1.7/16"
OR43K-12-10	19	3/4"	12	1"-14	67,5	2,65	13,5	0,53	15,0	0,59	30,0	1,181	1.3/16"
OR44K-12-12	19	3/4"	12	1.3/16"-12	62,0	2,44	14,5	0,57	21,0	0,83	36,0	1,417	1.7/16"
OR44K-12-16	19	3/4"	12	1.7/16"-12	63,0	2,48	14,8	0,58	24,0	0,94	41,0	1,614	1.5/8"
OR44K-16-16	25	1"	16	1.7/16"-12	73,0	2,87	14,8	0,58	24,0	0,94	41,0	1,614	1.5/8"

OR94K OR93K**ORFS female swivel - 90° elbow**

NO SKIVE

ISO 8434-3 / SAE J1453

**FITTING**

NPTF-NPSM
JIC
ORFS
SAE
GREASE
JIS
BSP-BSPT
METRIC
SAE 3000 CODE 61
STAPLE LOCK

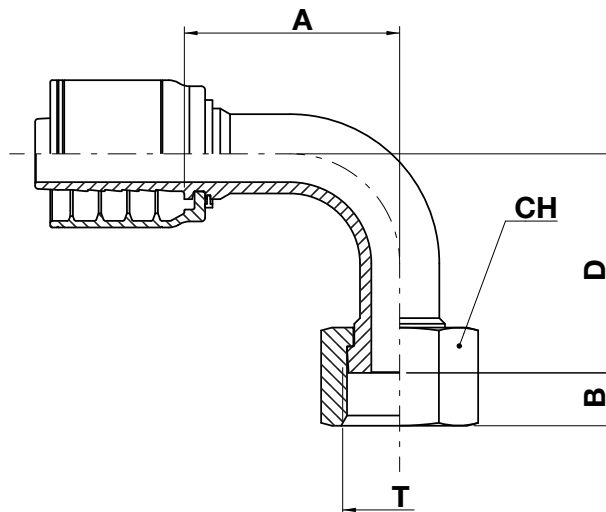
code	ø hose			T	A		B		D		CH		
	dn	inch	size		mm	in	mm	in	mm	in	mm	in	in
OR94K-04-04	6	1/4"	04	9/16"-18	27,5	1,08	8,0	0,31	22,0	0,87	17,0	0,669	11/16"
OR94K-04-06	6	1/4"	04	11/16"-16	27,5	1,08	9,5	0,37	23,0	0,90	22,0	0,866	7/8"
OR94K-05-06	8	5/16"	05	11/16"-16	31,5	1,24	9,5	0,37	24,0	0,94	22,0	0,866	7/8"
OR93K-06-04	10	3/8"	06	9/16"-18	27,8	1,09	8,0	0,31	21,0	0,83	17,0	0,669	11/16"
OR94K-06-06	10	3/8"	06	11/16"-16	31,5	1,24	9,5	0,37	24,0	0,94	22,0	0,866	7/8"
OR94K-06-08	10	3/8"	06	13/16"-16	31,5	1,24	11,0	0,43	30,0	1,18	24,0	0,945	15/16"
OR93K-08-06	12	1/2"	08	11/16"-16	37,0	1,46	11,0	0,43	23,0	0,91	22,0	0,866	7/8"
OR94K-08-08	12	1/2"	08	13/16"-16	44,5	1,75	11,0	0,43	29,0	1,14	24,0	0,945	15/16"
OR94K-08-10	12	1/2"	08	1"-14	37,5	1,48	13,5	0,53	33,0	1,30	30,0	1,181	1.3/16"
OR94K-08-12	12	1/2"	08	1.3/16"-12	42,5	1,67	14,5	0,57	48,0	1,61	36,0	1,417	1.7/16"
OR94K-10-10	16	5/8"	10	1"-14	46,5	1,83	13,5	0,53	32,0	1,26	30,0	1,181	1.3/16"
OR94K-10-12	16	5/8"	10	1.3/16"-12	53,5	2,11	14,5	0,57	48,0	1,89	36,0	1,417	1.7/16"
OR93K-12-10	19	3/4"	12	1"-14	50,5	2,00	13,5	0,53	32,0	1,26	30,0	1,181	1.3/16"
OR94K-12-12	19	3/4"	12	1.3/16"-12	61,0	2,40	14,5	0,57	48,0	1,89	36,0	1,417	1.7/16"
OR94K-12-16	19	3/4"	12	1.7/16"-12	57,0	2,24	13,8	0,54	56,0	2,20	41,0	1,614	1.5/8"
OR94K-16-16	25	1"	16	1.7/16"-12	71,0	2,80	13,8	0,54	56,0	2,20	41,0	1,614	1.5/8"

OR94K-M

ORFS female swivel - 90° elbow (medium drop)

NO SKIVE

ISO 8434-3 / SAE J1453



FITTING

NPTF-NPSM

JIC

ORFS

SAE

GREASE

JIS

BSP-BSPT

METRIC

SAE 3000 CODE 61

STAPLE LOCK

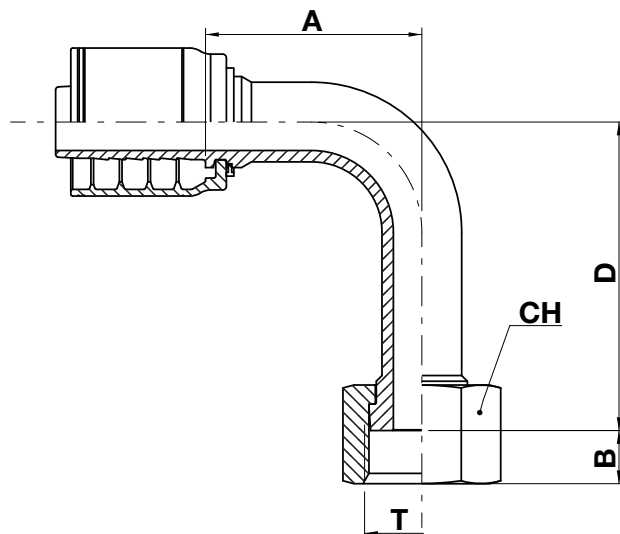
code	ø hose			T	A		B		D		CH		
	dn	inch	size		mm	in	mm	in	mm	in	mm	in	↻ in
OR94K-04-04-M	6	1/4"	04	9/16"-18	29,5	1,16	8,0	0,31	33,0	1,30	17,0	0,669	11/16"
OR94K-04-06-M	6	1/4"	04	11/16"-16	31,5	1,24	9,5	0,37	38,0	1,50	22,0	0,866	7/8"
OR94K-06-06-M	10	3/8"	06	11/16"-16	31,5	1,24	9,5	0,37	38,0	1,50	22,0	0,866	7/8"
OR94K-06-08-M	10	3/8"	06	13/16"-16	34,0	1,34	11,0	0,43	41,0	1,61	24,0	0,945	15/16"
OR94K-08-08-M	12	1/2"	08	13/16"-16	40,0	1,57	11,0	0,43	41,0	1,61	24,0	0,945	15/16"
OR94K-10-10-M	16	5/8"	10	1"-14	53,5	2,10	13,5	0,53	47,0	1,85	30,0	1,181	1.3/16"
OR94K-12-12-M	19	3/4"	12	1.3/16"-12	61,0	2,40	14,5	0,57	58,0	2,28	36,0	1,417	1.7/16"
OR94K-16-16-M	25	1"	16	1.7/16"-12	74,0	2,91	13,8	0,54	71,0	2,79	41,0	1,614	1.5/8"

OR94K-L

ORFS female swivel - 90° elbow (long drop)

NO SKIVE

ISO 8434-3 / SAE J1453



FITTING
 NPTF-NPSM
 JIC
ORFS
 SAE
 GREASE
 JIS
 BSP-BSPT
 METRIC
 SAE 3000 CODE 61
 STAPLE LOCK

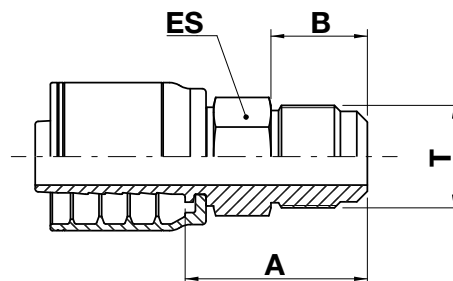
code	ø hose			T	A		B		D		CH		
	dn	inch	size		mm	in	mm	in	mm	in	mm	in	in
OR94K-04-04-L	6	1/4"	04	9/16"-18	29,5	1,16	8,0	0,31	46,0	1,81	17,0	0,669	11/16"
OR94K-04-06-L	6	1/4"	04	11/16"-16	31,5	1,24	9,5	0,37	54,0	2,12	22,0	0,866	7/8"
OR94K-06-06-L	10	3/8"	06	11/16"-16	31,5	1,24	9,5	0,37	54,0	2,12	22,0	0,866	7/8"
OR94K-06-08-L	10	3/8"	06	13/16"-16	31,5	1,24	11,0	0,43	64,0	2,52	24,0	0,945	15/16"
OR94K-08-08-L	12	1/2"	08	13/16"-16	40,0	1,57	11,0	0,43	64,0	2,52	24,0	0,945	15/16"
OR94K-10-10-L	16	5/8"	10	1"-14	53,5	2,10	13,5	0,53	70,0	2,75	30,0	1,181	1.3/16"
OR94K-12-12-L	19	3/4"	12	1.3/16"-12	61,0	2,40	14,5	0,57	96,0	3,78	36,0	1,417	1.7/16"
OR94K-16-16-L	25	1"	16	1.7/16"-12	70,3	2,77	13,8	0,54	114,0	4,49	41,0	1,614	1.5/8"

MU10K

SAE 45° male

NO SKIVE

SAE J512

**FITTING**

NPTF-NPSM

JIC

ORFS

SAE

GREASE

JIS

BSP-BSPT

METRIC

SAE 3000 CODE 61

STAPLE LOCK

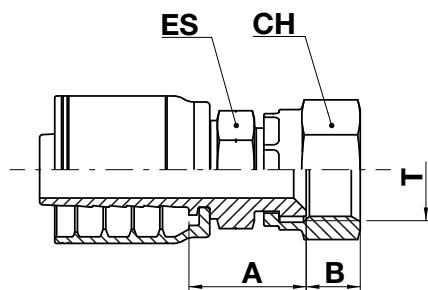
code	ø hose			T	A		B		ES		
	dn	inch	size		mm	in	mm	in	mm	in	↻ in
MU10K-04-04	6	1/4"	04	7/16"-20	25,0	0,98	12,7	0,50	14,0	0,551	9/16"
MU10K-06-06	10	3/8"	06	5/8"-18	29,0	1,14	15,7	0,62	17,0	0,669	11/16"
MU10K-08-08	12	1/2"	08	3/4"-16	33,5	1,32	19,0	0,75	19,0	0,748	3/4"
MU10K-08-10	12	1/2"	08	7/8"-14	38,5	1,52	22,4	0,88	24,0	0,945	15/16"
MU10K-10-10	16	5/8"	10	7/8"-14	39,5	1,55	22,4	0,88	24,0	0,945	15/16"
MU10K-12-12	19	3/4"	12	1.1/16"-14	48,0	1,89	25,4	1,00	27,0	1,063	1.1/16"

FU11K

SAE 45° female swivel

NO SKIVE

SAE J512



FITTING

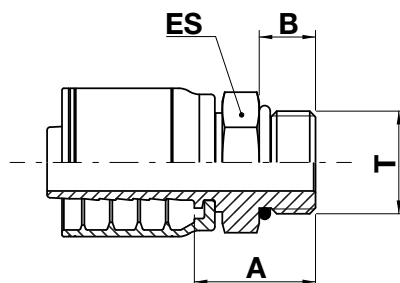
NPTF-NPSM
 JIC
 ORFS
SAE
 GREASE
 JIS
 BSP-BSPT
 METRIC
 SAE 3000 CODE 61
 STAPLE LOCK

code	ø hose			T	A		B		ES			CH		
	dn	inch	size		mm	in	mm	in	mm	in	↻ in	mm	in	↻ in
FU11K-04-04	6	1/4"	04	7/16"-20	20,5	0,80	8,7	0,34	14,0	0,551	9/16"	15,0	0,591	5/8"
FU11K-04-05	6	1/4"	04	1/2"-20	21,5	0,85	9,5	0,37	14,0	0,551	9/16"	17,0	0,669	11/16"
FU11K-04-06	6	1/4"	04	5/8"-18	24,0	0,94	10,8	0,43	19,0	0,748	3/4"	22,0	0,866	7/8"
FU11K-06-06	10	3/8"	06	5/8"-18	24,0	0,94	10,8	0,43	19,0	0,748	3/4"	22,0	0,866	7/8"
FU11K-06-08	10	3/8"	06	3/4"-16	26,5	1,04	10,8	0,43	19,0	0,748	3/4"	24,0	0,945	15/16"
FU11K-06-10	10	3/8"	06	7/8"-14	29,3	1,15	12,7	0,50	22,0	0,866	7/8"	27,0	1,063	1.1/16"
FU11K-08-08	12	1/2"	08	3/4"-16	28,0	1,10	10,8	0,43	19,0	0,748	3/4"	24,0	0,945	15/16"
FU11K-08-10	12	1/2"	08	7/8"-14	28,5	1,12	12,7	0,50	22,0	0,866	7/8"	27,0	1,063	1.1/16"
FU11K-10-10	16	5/8"	10	7/8"-14	29,5	1,16	12,7	0,50	22,0	0,866	7/8"	27,0	1,063	1.1/16"
FU11K-10-12	16	5/8"	10	1.1/16"-14	30,5	1,20	14,4	0,57	27,0	1,063	1.1/16"	32,0	1,260	1.1/4"
FU11K-12-12	19	3/4"	12	1.1/16"-14	31,0	1,22	14,4	0,57	27,0	1,063	1.1/16"	32,0	1,260	1.1/4"

ME10K***O-ring boss male**

NO SKIVE

SAE J1926

**FITTING**

NPTF-NPSM

JIC

ORFS

SAE

GREASE

JIS

BSP-BSPT

METRIC

SAE 3000 CODE 61

STAPLE LOCK

code	ø hose			T	A		B		ES		
	dn	inch	size		mm	in	mm	in	mm	in	↻ in
ME10K-04-04	6	1/4"	04	7/16"-20	22,0	0,87	9,15	0,36	14,0	0,551	9/16"
ME10K-04-05	6	1/4"	04	1/2"-20	23,5	0,93	9,15	0,36	17,0	0,669	11/16"
ME10K-04-06	6	1/4"	04	9/16"-18	24,5	0,96	10,0	0,39	17,0	0,669	11/16"
ME10K-06-06	10	3/8"	06	9/16"-18	24,5	0,96	9,9	0,39	17,0	0,669	11/16"
ME10K-06-08	10	3/8"	06	3/4"-16	26,5	1,04	11,1	0,44	22,0	0,866	7/8"
ME10K-06-10	10	3/8"	06	7/8"-14	28,5	1,12	12,7	0,50	27,0	1,063	1.1/16"
ME10K-08-08	12	1/2"	08	3/4"-16	27,0	1,06	11,1	0,44	22,0	0,866	7/8"
ME10K-08-10	12	1/2"	08	7/8"-14	29,0	1,14	12,7	0,50	27,0	1,063	1.1/16"
ME10K-08-12	12	1/2"	08	1.1/16"-12	32,0	1,26	15,1	0,59	32,0	1,260	1.1/4"
ME10K-10-08	16	5/8"	10	3/4"-16	27,5	1,08	11,1	0,44	24,0	0,945	15/16"
ME10K-10-10	16	5/8"	10	7/8"-14	29,0	1,14	12,7	0,50	27,0	1,063	1.1/16"
ME10K-10-12	16	5/8"	10	1.1/16"-12	32,0	1,26	15,0	0,59	32,0	1,260	1.1/4"
ME10K-12-12	19	3/4"	12	1.1/16"-12	32,5	1,28	15,0	0,59	32,0	1,260	1.1/4"
ME10K-12-14	19	3/4"	12	1.3/16"-12	37,5	1,48	15,1	0,59	36,0	1,417	1.7/16"
ME10K-12-16	19	3/4"	12	1.5/16"-12	38,5	1,52	15,1	0,59	36,0	1,417	1.7/16"
ME10K-16-16	25	1"	16	1.5/16"-12	39,1	1,54	15,1	0,59	38,0	1,496	1.1/2"

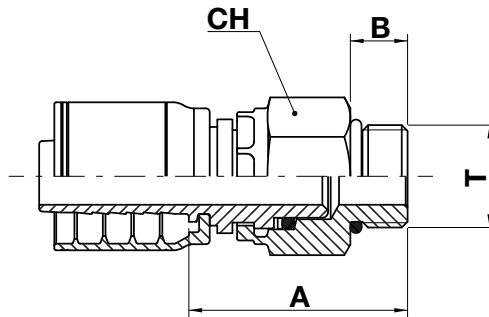
* Complete with O-ring

MV10K MV16K

O-ring boss male swivel

NO SKIVE

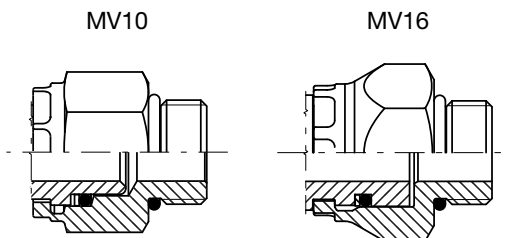
SAE J1926



- FITTING**
- NPTF-NPSM
 - JIC
 - ORFS
 - SAE**
 - GREASE
 - JIS
 - BSP-BSPT
 - METRIC
 - SAE 3000 CODE 61
 - STAPLE LOCK

code	ø hose			T	A		B		CH		
	dn	inch	size		mm	in	mm	in	mm	in	↻ in
MV10K-04-04	6	1/4"	04	7/16"-20	36,5	1,44	9,1	0,36	17,0	0,669	11/16"
MV16K-04-06	6	1/4"	04	9/16"-18	44,5	1,75	9,9	0,39	19,0	0,750	3/4"
MV16K-06-06	10	3/8"	06	9/16"-18	42,5	1,67	9,9	0,39	19,0	0,750	3/4"
MV10K-06-08	10	3/8"	06	3/4"-16	47,5	1,87	11,1	0,44	27,0	1,063	1.1/16"
MV10K-08-08	12	1/2"	08	3/4"-16	48,0	1,89	11,1	0,44	27,0	1,063	1.1/16"
MV10K-08-10	12	1/2"	08	7/8"-14	51,0	2,01	12,7	0,50	27,0	1,063	1.1/16"
MV10K-08-12	12	1/2"	08	1.1/16"-12	57,5	2,26	15,1	0,59	36,0	1,417	1.7/16"
MV10K-10-10	16	5/8"	10	7/8"-14	51,0	2,01	12,7	0,50	27,0	1,063	1.1/16"
MV10K-12-12	19	3/4"	12	1.1/16"-12	57,5	2,26	15,1	0,59	36,0	1,417	1.7/16"
MV10K-16-16	25	1"	16	1.5/16"-12	62,0	2,44	15,1	0,59	38,0	1,496	1.1/2"

Nut type



MV40K MV46K

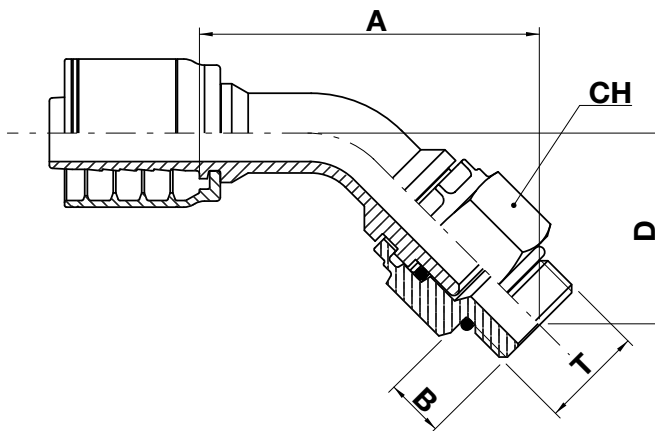
O-ring boss male swivel - 45° elbow

NO SKIVE

SAE J1926

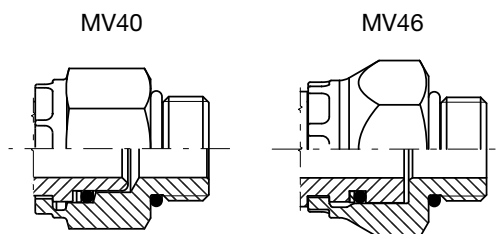
FITTING

- NPTF-NPSM
- JIC
- ORFS
- SAE**
- GREASE
- JIS
- BSP-BSPT
- METRIC
- SAE 3000 CODE 61
- STAPLE LOCK



code	ø hose			T	A		B		D		CH		
	dn	inch	size		mm	in	mm	in	mm	in	mm	in	↻ in
MV40K-04-04	6	1/4"	04	7/16"-20	58,5	2,30	9,1	0,36	27,5	1,08	17,0	0,67	11/16"
MV46K-04-06	6	1/4"	04	9/16"-18	65,8	2,59	9,9	0,39	35,2	1,38	19,0	0,750	3/4"
MV46K-06-06	10	3/8"	06	9/16"-18	72,5	2,85	9,9	0,39	35,2	1,38	19,0	0,750	3/4"
MV40K-06-08	10	3/8"	06	3/4"-16	73,0	2,87	11,1	0,44	38,5	1,52	27,0	1,06	1.1/16"
MV40K-06-10	10	3/8"	06	7/8"-14	74,0	2,91	12,7	0,50	39,5	1,56	27,0	1,06	1.1/16"
MV40K-08-08	12	1/2"	08	3/4"-16	81,8	3,22	11,1	0,44	40,7	1,60	27,0	1,06	1.1/16"
MV40K-08-10	12	1/2"	08	7/8"-14	83,0	3,27	12,7	0,50	42,0	1,65	27,0	1,06	1.1/16"
MV40K-08-12	12	1/2"	08	1.1/16"-12	103,0	4,06	15,1	0,59	51,7	2,04	36,0	1,42	1.7/16"
MV40K-12-12	19	3/4"	12	1.1/16"-12	117,0	4,61	15,1	0,59	49,0	1,93	36,0	1,42	1.7/16"
MV40K-16-16	25	1"	16	1.5/16"-12	93,4	3,68	15,1	0,59	43,6	1,72	38,0	1,496	1.1/2"

Nut type



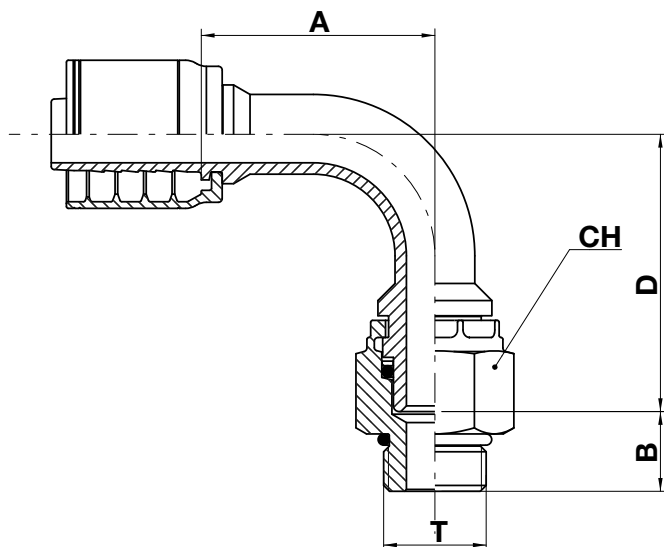
MV90K MV96K

K

O-ring boss male swivel - 90° elbow

NO SKIVE

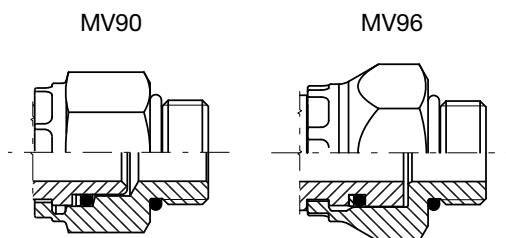
SAE J1926



.....
FITTING
 NPTF-NPSM
 JIC
 ORFS
SAE
 GREASE
 JIS
 BSP-BSPT
 METRIC
 SAE 3000 CODE 61
 STAPLE LOCK

code	ø hose			T	A		B		D		CH		
	dn	inch	size		mm	in	mm	in	mm	in	mm	in	↗ in
MV90K-04-04	6	1/4"	04	7/16"-20	28,0	1,10	9,1	0,36	38,5	1,52	17,0	0,669	11/16"
MV96K-04-06	6	1/4"	04	9/16"-18	28,0	1,10	9,9	0,39	48,3	1,90	19,0	0,750	3/4"
MV96K-06-06	10	3/8"	06	9/16"-18	34,5	1,36	9,9	0,39	49,8	1,96	19,0	0,750	3/4"
MV90K-06-08	10	3/8"	06	3/4"-16	31,5	1,24	11,1	0,44	52,0	2,05	27,0	1,063	1.1/16"
MV90K-06-10	10	3/8"	06	7/8"-14	31,5	1,24	12,7	0,50	52,0	2,05	27,0	1,063	1.1/16"
MV90K-08-08	12	1/2"	08	3/4"-16	37,5	1,48	11,1	0,44	57,0	2,24	27,0	1,063	1.1/16"
MV90K-08-10	12	1/2"	08	7/8"-14	37,5	1,48	12,7	0,50	57,0	2,24	27,0	1,063	1.1/16"
MV90K-08-12	12	1/2"	08	1.1/16"-12	46,5	1,83	15,1	0,59	72,0	2,83	36,0	1,417	1.7/16"
MV90K-12-12	19	3/4"	12	1.1/16"-12	61,5	2,42	15,1	0,59	73,0	2,88	36,0	1,417	1.7/16"
MV90K-16-16	25	1"	16	1.5/16"-12	72,0	2,83	15,1	0,59	84,5	3,33	38,0	1,496	1.1/2"

Nut type

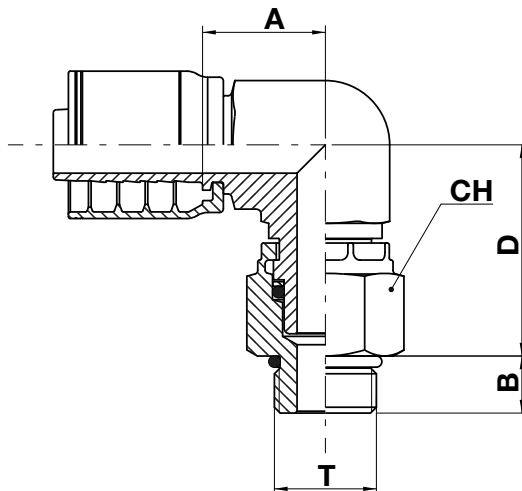


KV91K KV96K

O-ring boss male swivel - 90° compact elbow

NO SKIVE

SAE J1926



FITTING

NPTF-NPSM

JIC

ORFS

SAE

GREASE

JIS

BSP-BSPT

METRIC

SAE 3000 CODE 61

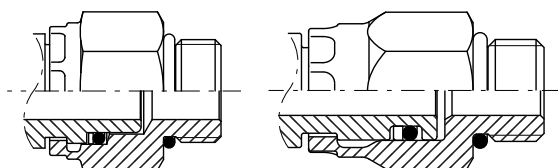
STAPLE LOCK

code	ø hose			T	A		B		D		CH		
	dn	inch	size		mm	in	mm	in	mm	in	mm	in	↻ in
KV91K-04-04	6	1/4"	04	7/16"-20	18,5	0,73	9,2	0,36	32,8	1,29	17,0	0,669	11/16"
KV96K-04-06	6	1/4"	04	9/16"-18	19,5	0,77	10,0	0,39	39,0	1,54	19,0	0,748	3/4"
KV96K-06-06	10	3/8"	06	9/16"-18	21,5	0,85	10,0	0,39	42,0	1,65	19,0	0,748	3/4"
KV91K-06-08	10	3/8"	06	3/4"-16	25,0	0,98	11,1	0,44	47,4	1,87	27,0	1,063	1.1/16"
KV91K-06-10	10	3/8"	06	7/8"-14	25,0	0,98	12,7	0,50	48,8	1,92	27,0	1,063	1.1/16"
KV91K-08-08	12	1/2"	08	3/4"-16	26,5	1,04	11,1	0,44	47,4	1,87	27,0	1,063	1.1/16"
KV91K-08-10	12	1/2"	08	7/8"-14	26,5	1,04	12,7	0,50	48,8	1,92	27,0	1,063	1.1/16"
KV91K-12-12	19	3/4"	12	1.1/16"-12	32,5	1,28	15,1	0,59	55,9	2,20	36,0	1,417	1.7/16"
KV91K-16-16	25	1"	16	1.5/16"-12	34,0	1,34	15,1	0,59	52,5	2,07	38,0	1,496	1.1/2"

Nut type

KV91

KV96

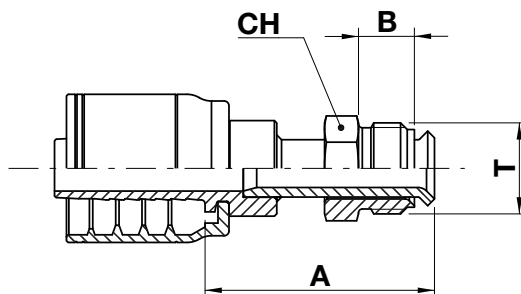


MZ10K

SAE inverted flare male swivel

NO SKIVE

SAE J512



-
- FITTING**
- NPTF-NPSM
 - JIC
 - ORFS
 - SAE**
 - GREASE
 - JIS
 - BSP-BSPT
 - METRIC
 - SAE 3000 CODE 61
 - STAPLE LOCK

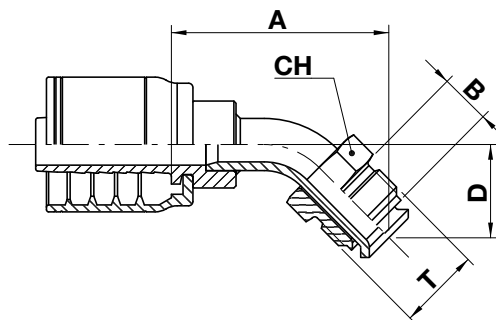
code	ø hose			T	A		B		CH		
	dn	inch	size		mm	in	mm	in	mm	in	in
MZ10K-04-04	6	1/4"	04	7/16"-24	48,0	1,89	9,1	0,36	11,0	0,433	7/16"
MZ10K-04-05	6	1/4"	04	1/2"-20	48,0	1,89	10,2	0,40	16,0	0,630	5/8"
MZ10K-06-05	10	3/8"	06	1/2"-20	48,0	1,89	10,2	0,40	16,0	0,630	5/8"
MZ10K-06-06	10	3/8"	06	5/8"-18	48,0	1,89	10,2	0,40	16,0	0,630	5/8"
MZ10K-08-08	12	1/2"	08	3/4"-18	48,0	1,89	11,7	0,46	19,0	0,748	3/4"

MZ40K

SAE inverted flare male swivel - 45° elbow

NO SKIVE

SAE J512



FITTING

NPTF-NPSM

JIC

ORFS

SAE

GREASE

JIS

BSP-BSPT

METRIC

SAE 3000 CODE 61

STAPLE LOCK

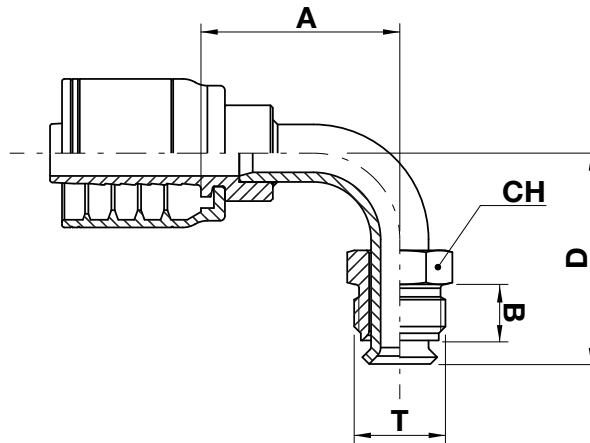
code	ø hose			T	A		B		D		CH		
	dn	inch	size		mm	in	mm	in	mm	in	mm	in	↻ in
MZ40K-04-04	6	1/4"	04	7/16"-24	40,1	1,58	9,1	0,36	14,7	0,58	11,0	0,433	7/16"
MZ40K-04-05	6	1/4"	04	1/2"-20	44,0	1,73	10,2	0,40	18,0	0,71	16,0	0,630	5/8"
MZ40K-06-05	10	3/8"	06	1/2"-20	44,0	1,73	10,2	0,40	18,0	0,71	16,0	0,630	5/8"
MZ40K-06-06	10	3/8"	06	5/8"-18	47,5	1,87	10,2	0,40	19,0	0,75	16,0	0,630	5/8"
MZ40K-08-08	12	1/2"	08	3/4"-18	50,5	1,99	11,7	0,46	21,5	0,85	19,0	0,748	3/4"

MZ90K

SAE inverted flare male swivel - 90° elbow

NO SKIVE

SAE J512



- FITTING**
- NPTF-NPSM
 - JIC
 - ORFS
 - SAE**
 - GREASE
 - JIS
 - BSP-BSPT
 - METRIC
 - SAE 3000 CODE 61
 - STAPLE LOCK

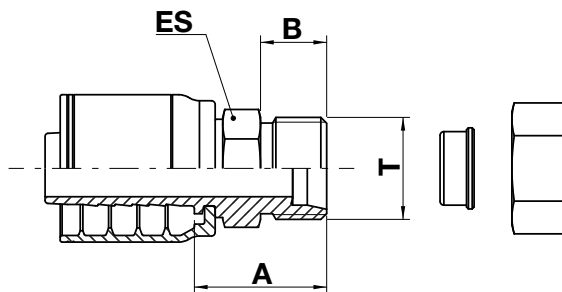
code	ø hose			T	A		B		D		CH		
	dn	inch	size		mm	in	mm	in	mm	in	mm	in	↻ in
MZ90K-04-04	6	1/4"	04	7/16"-24	30,0	1,18	9,1	0,36	26,0	1,02	11,0	0,433	7/16"
MZ90K-04-05	6	1/4"	04	1/2"-20	31,0	1,22	10,2	0,40	32,0	1,26	16,0	0,630	5/8"
MZ90K-06-05	10	3/8"	06	1/2"-20	31,0	1,22	10,2	0,40	32,0	1,26	16,0	0,630	5/8"
MZ90K-06-06	10	3/8"	06	5/8"-18	36,0	1,42	10,2	0,40	35,0	1,38	16,0	0,630	5/8"
MZ90K-08-08	12	1/2"	08	3/4"-18	41,5	1,63	11,7	0,46	44,0	1,73	19,0	0,748	3/4"

MFA10K

SAE flareless male assembly

NO SKIVE

SAE J514



FITTING

NPTF-NPSM

JIC

ORFS

SAE

GREASE

JIS

BSP-BSPT

METRIC

SAE 3000 CODE 61

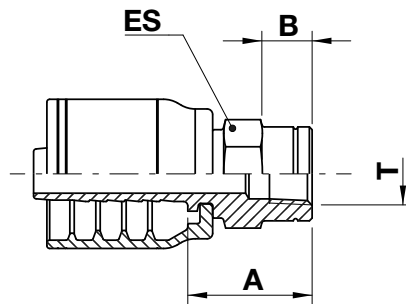
STAPLE LOCK

code	ø hose			T	A		B		ES		
	dn	inch	size		mm	in	mm	in	mm	in	in
MFA10K-04-04	6	1/4"	04	7/16"-20	24,0	0,94	11,5	0,45	14,0	0,551	9/16"
MFA10K-04-05	6	1/4"	04	1/2"-20	25,0	0,98	11,5	0,45	17,0	0,669	11/16"
MFA10K-06-05	10	3/8"	06	1/2"-20	25,0	0,98	11,5	0,45	17,0	0,669	11/16"
MFA10K-06-06	10	3/8"	06	9/16"-18	25,5	1,00	11,9	0,47	17,0	0,669	11/16"
MFA10K-06-08	10	3/8"	06	3/4"-16	27,8	1,09	14,3	0,56	19,0	0,748	3/4"
MFA10K-08-08	12	1/2"	08	3/4"-16	28,5	1,12	14,3	0,56	19,0	0,748	3/4"
MFA10K-08-10	12	1/2"	08	7/8"-14	32,0	1,26	15,9	0,63	24,0	0,945	15/16"
MFA10K-10-10	16	5/8"	10	7/8"-14	32,0	1,26	15,9	0,63	24,0	0,945	15/16"
MFA10K-12-12	19	3/4"	12	1.1/16"-12	35,0	1,38	17,5	0,69	27,0	1,063	1.1/16"
MFA10K-12-16	19	3/4"	12	1.1/16"-12	40,0	1,57	17,5	0,69	36,0	1,417	1.7/16"
MFA10K-16-16	25	1"	16	1.5/16"-12	41,5	1,63	17,5	0,69	36,0	1,417	1.7/16"

FGR10K

Female grease

NO SKIVE



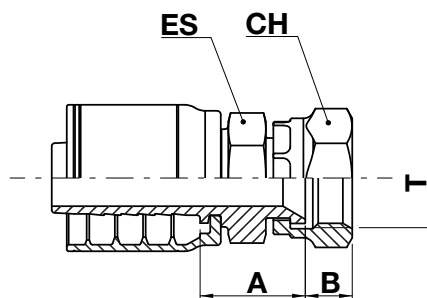
-
- FITTING**
- NPTF-NPSM
 - JIC
 - ORFS
 - SAE
 - GREASE**
 - JIS
 - BSP-BSPT
 - METRIC
 - SAE 3000 CODE 61
 - STAPLE LOCK

code	ø hose			T	A		B		ES		
	dn	inch	size		mm	in	mm	in	mm	in	 in
FGR10K-04-08	6	1/4"	04	1/2"-27	22,5	0,89	7,70	0,30	17,0	0,669	11/16"
FGR10K-06-08	10	3/8"	06	1/2"-27	22,5	0,89	7,70	0,30	17,0	0,669	11/16"

FT11K

Japanese "T" style termination female swivel 60° cone

NO SKIVE



FITTING

NPTF-NPSM

JIC

ORFS

SAE

GREASE

JIS

BSP-BSPT

METRIC

SAE 3000 CODE 61

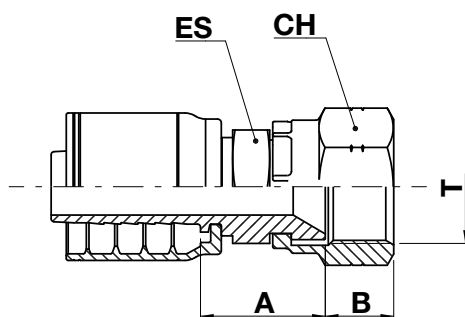
STAPLE LOCK

code	ø hose			T	A		B		ES			CH		
	dn	inch	size		mm	in	mm	in	mm	in	↻ in	mm	in	↻ in
FT11K-04-04	6	1/4"	04	1/4"-19	21,0	0,83	8,0	0,31	19,0	0,748	3/4"	19,0	0,748	3/4"
FT11K-06-06	10	3/8"	06	3/8"-19	22,0	0,87	9,5	0,37	19,0	0,748	3/4"	22,0	0,866	7/8"
FT11K-08-08	12	1/2"	08	1/2"-14	25,0	0,98	11,0	0,43	22,0	0,866	7/8"	27,0	1,063	1.1/16"
FT11K-12-12	19	3/4"	12	3/4"-14	28,0	1,10	12,5	0,49	30,0	1,181	1.3/16"	32,0	1,260	1.1/4"
FT11K-16-16	25	1"	16	1"-11	33,0	1,30	14,0	0,55	32,0	1,260	1.1/4"	38,0	1,496	1.1/2"

FK11K

Japanese "KOM" style termination female swivel 60° cone

NO SKIVE



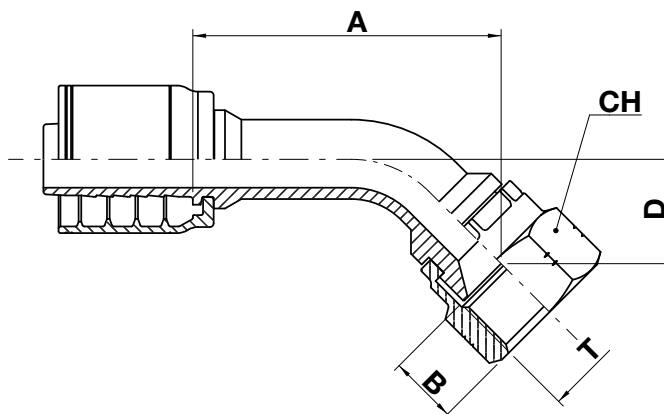
FITTING
 NPTF-NPSM
 JIC
 ORFS
 SAE
 GREASE
JIS
 BSP-BSPT
 METRIC
 SAE 3000 CODE 61
 STAPLE LOCK

code	ø hose			T	A		B		ES			CH		
	dn	inch	size		mm	in	mm	in	mm	in	↻ in	mm	in	↻ in
FK11K-04-12	6	1/4"	04	M12X1,5	23,0	0,91	8,7	0,34	14,0	0,551	9/16"	17,0	0,669	11/16"
FK11K-04-14	6	1/4"	04	M14X1,5	24,0	0,94	10,0	0,39	19,0	0,748	3/4"	19,0	0,748	3/4"
FK11K-06-14	10	3/8"	06	M14X1,5	25,0	0,98	10,0	0,39	19,0	0,748	3/4"	19,0	0,748	3/4"
FK11K-06-16	10	3/8"	06	M16X1,5	23,0	0,91	9,3	0,37	19,0	0,748	3/4"	22,0	0,866	7/8"
FK11K-06-18	10	3/8"	06	M18X1,5	24,0	0,94	11,5	0,45	19,0	0,748	3/4"	24,0	0,945	15/16"
FK11K-06-20	10	3/8"	06	M20X1,5	25,5	1,00	11,2	0,44	19,0	0,748	3/4"	27,0	1,063	1,1/16"
FK11K-06-22	10	3/8"	06	M22X1,5	25,5	1,00	14,0	0,55	19,0	0,748	3/4"	27,0	1,063	1,1/16"
FK11K-08-22	12	1/2"	08	M22X1,5	27,0	1,06	14,0	0,55	22,0	0,866	7/8"	27,0	1,063	1,1/16"
FK11K-08-24	12	1/2"	08	M24X1,5	28,5	1,12	15,1	0,59	24,0	0,945	15/16"	32,0	1,260	1,1/4"
FK11K-10-24	16	5/8"	10	M24X1,5	28,5	1,12	15,1	0,59	24,0	0,945	15/16"	32,0	1,260	1,1/4"
FK11K-12-24	19	3/4"	12	M24X1,5	29,9	1,18	15,1	0,59	27,0	1,063	1,1/16"	32,0	1,260	1,1/4"
FK11K-12-30	19	3/4"	12	M30X1,5	33,0	1,30	18,3	0,72	30,0	1,181	1.3/16"	36,0	1,417	1,7/16"
FK11K-12-33	19	3/4"	12	M33X1,5	32,0	1,26	21,3	0,84	32,0	1,260	1.1/4"	41,0	1,614	1,5/8"
FK11K-16-33	25	1"	16	M33X1,5	34,7	1,37	21,3	0,84	32,0	1,260	1.1/4"	41,0	1,614	1,5/8"
FK11K-16-36	25	1"	16	M36X1,5	36,0	1,42	16,0	0,63	41,0	1,614	1.5/8"	46,0	1,811	1,13/16"

FK41K

Japanese "KOM" style termination female swivel 60° cone - 45° elbow

NO SKIVE



FITTING

NPTF-NPSM

JIC

ORFS

SAE

GREASE

JIS

BSP-BSPT

METRIC

SAE 3000 CODE 61

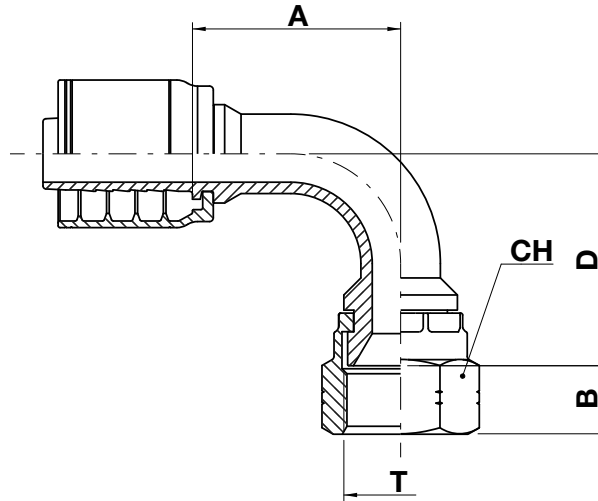
STAPLE LOCK

code	ø hose			T	A		B		D		CH		
	dn	inch	size		mm	in	mm	in	mm	in	mm	in	in
FK41K-04-14	6	1/4"	04	M14X1,5	42,5	1,67	10,0	0,39	16,1	0,63	19,0	0,748	3/4"
FK41K-06-18	10	3/8"	06	M18X1,5	51,5	2,03	11,5	0,45	19,5	0,77	24,0	0,945	15/16"
FK41K-08-22	12	1/2"	08	M22X1,5	54,0	2,13	14,0	0,55	20,0	0,79	27,0	1,063	1.1/16"
FK41K-10-24	16	5/8"	10	M24X1,5	70,5	2,78	15,1	0,59	27,0	1,06	32,0	1,260	1.1/4"
FK41K-12-30	19	3/4"	12	M30X1,5	81,5	3,21	18,3	0,72	27,6	1,09	36,0	1,417	1.7/16"
FK41K-16-36	25	1"	16	M36X1,5	84,5	3,33	16,0	0,63	32,5	1,28	46,0	1,811	1,13/16"

FK91K

Japanese "KOM" style termination female swivel 60° cone - 90° elbow

NO SKIVE



- FITTING**
- NPTF-NPSM
 - JIC
 - ORFS
 - SAE
 - GREASE
 - JIS**
 - BSP-BSPT
 - METRIC
 - SAE 3000 CODE 61
 - STAPLE LOCK

code	ø hose			T	A		B		D		CH		
	dn	inch	size		mm	in	mm	in	mm	in	mm	in	in
FK91K-04-14	6	1/4"	04	M14X1,5	29,0	1,14	10,0	0,39	31,5	1,24	19,0	0,748	3/4"
FK91K-06-16	10	3/8"	06	M16X1,5	36,0	1,42	9,3	0,37	31,5	1,24	22,0	0,866	7/8"
FK91K-06-18	10	3/8"	06	M18X1,5	35,5	1,40	11,5	0,45	38,0	1,50	24,0	0,945	15/16"
FK91K-08-22	12	1/2"	08	M22X1,5	47,5	1,87	14,0	0,55	43,0	1,69	27,0	1,063	1.1/16"
FK91K-10-24	16	5/8"	10	M24X1,5	55,5	2,19	15,1	0,59	55,0	2,17	32,0	1,260	1,1/4"
FK91K-12-30	19	3/4"	12	M30X1,5	55,0	2,17	18,3	0,72	56,0	2,20	36,0	1,417	1.7/16"
FK91K-16-36	25	1"	16	M36X1,5	74,0	2,91	16,0	0,63	68,0	2,68	46,0	1,811	1,13/16"

For wire braid hoses

AK10K

Japanese "KOM" style termination straight flange (for metric O-ring)

NO SKIVE

FITTING

NPTF-NPSM

JIC

ORFS

SAE

GREASE

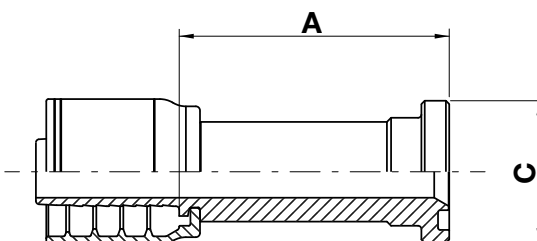
JIS

BSP-BSPT

METRIC

SAE 3000 CODE 61

STAPLE LOCK



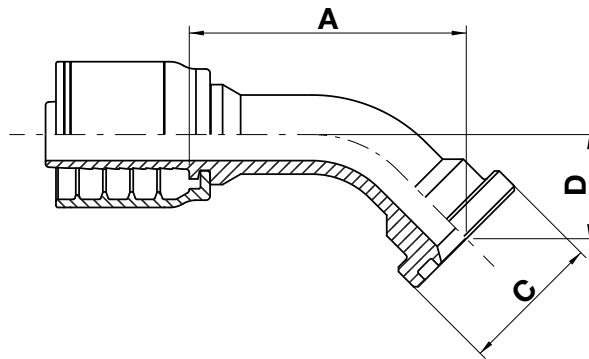
code	ø hose			flange	A		C	
	dn	inch	size		mm	in	mm	in
AK10K-10-10	16	5/8"	10	5/8"	65,0	2,56	34,2	1,35

For wire braid hoses

AK40K

Japanese "KOM" style termination - 45° elbow flange (for metric O-ring)

NO SKIVE



.....
FITTING
NPTF-NPSM
JIC
ORFS
SAE
GREASE
JIS
BSP-BSPT
METRIC
SAE 3000 CODE 61
STAPLE LOCK

code	ø hose			flange	A		C		D	
	dn	inch	size		mm	in	mm	in	mm	in
AK40K-10-10	16	5/8"	10	5/8"	66,5	2,62	34,2	1,35	25,0	0,98

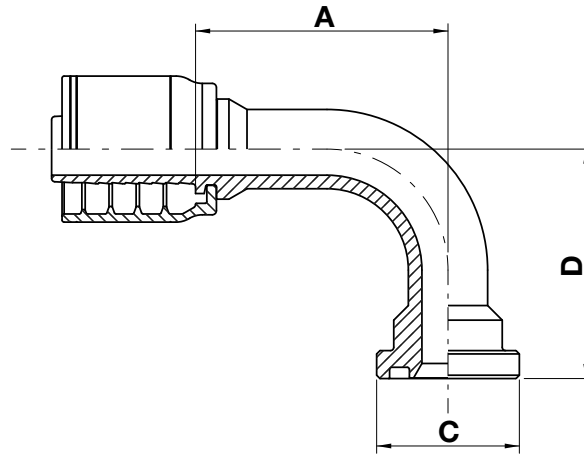
K

For wire braid hoses

AK90K

Japanese "KOM" style termination - 90° elbow flange (for metric O-ring)

NO SKIVE

**FITTING**

NPTF-NPSM

JIC

ORFS

SAE

GREASE

JIS

BSP-BSPT

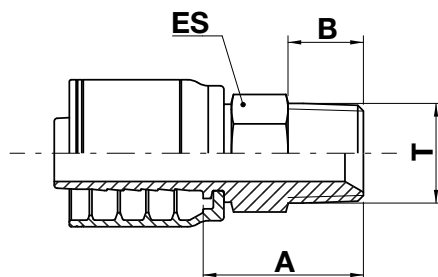
METRIC

SAE 3000 CODE 61

STAPLE LOCK

code	ø hose			flange	A		C		D	
	dn	inch	size		mm	in	mm	in	mm	in
AK90K-10-10	16	5/8"	10	5/8"	60,5	2,38	34,2	1,35	55,0	2,17

MT10K

BSPT tapered male 60° cone**NO SKIVE****K****FITTING**

NPTF-NPSM
 JIC
 ORFS
 SAE
 GREASE
 JIS
BSP-BSPT
 METRIC
 SAE 3000 CODE 61
 STAPLE LOCK

code	ø hose			T	A		B		ES		
	dn	inch	size		mm	in	mm	in	mm	in	in
MT10K-04-02	6	1/4"	04	1/8"-28	24,5	0,89	12,0	0,47	12,0	0,472	1/2"
MT10K-04-04	6	1/4"	04	1/4"-19	26,5	1,04	14,0	0,55	14,0	0,551	9/16"
MT10K-04-06	6	1/4"	04	3/8"-19	29,0	1,14	15,0	0,59	19,0	0,748	3/4"
MT10K-05-06	8	5/16"	05	3/8"-19	29,0	1,14	15,0	0,59	19,0	0,748	3/4"
MT10K-06-04	10	3/8"	06	1/4"-19	24,5	0,96	14,0	0,55	14,0	0,551	9/16"
MT10K-06-06	10	3/8"	06	3/8"-19	29,0	1,14	15,0	0,59	19,0	0,748	3/4"
MT10K-06-08	10	3/8"	06	1/2"-14	32,0	1,26	18,0	0,71	22,0	0,866	7/8"
MT10K-08-06	12	1/2"	08	3/8"-19	27,5	1,08	15,0	0,59	19,0	0,748	3/4"
MT10K-08-08	12	1/2"	08	1/2"-14	32,5	1,28	18,0	0,71	22,0	0,866	7/8"
MT10K-08-12	12	1/2"	08	3/4"-14	37,0	1,46	20,0	0,79	27,0	1,063	1.1/16"
MT10K-10-10	16	5/8"	10	5/8"-14	36,0	1,42	19,0	0,75	24,0	0,945	15/16"
MT10K-10-12	16	5/8"	10	3/4"-14	42,0	1,65	20,0	0,79	27,0	1,063	1.1/16"
MT10K-12-12	19	3/4"	12	3/4"-14	42,5	1,67	20,0	0,79	27,0	1,063	1.1/16"
MT10K-16-16	25	1"	16	1"-11	47,0	1,85	23,0	0,91	36,0	1,417	1.7/16"

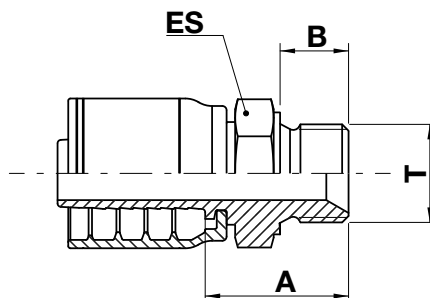
MB10K



BSP male 60° cone

NO SKIVE

ISO 8434-6 / BS 5200



FITTING

- NPTF-NPSM
- JIC
- ORFS
- SAE
- GREASE
- JIS
- BSP-BSPT**
- METRIC
- SAE 3000 CODE 61
- STAPLE LOCK


code	ø hose			T	A		B		ES		
	dn	inch	size		mm	in	mm	in	mm	in	↻ in
MB10K-04-02	6	1/4"	04	1/8"-28	22,0	0,87	8,0	0,31	14,0	0,551	9/16"
MB10K-04-04	6	1/4"	04	1/4"-19	26,5	1,04	11,0	0,43	19,0	0,748	3/4"
MB10K-04-06	6	1/4"	04	3/8"-19	28,0	1,10	12,0	0,47	22,0	0,866	7/8"
MB10K-04-08	6	1/4"	04	1/2"-14	35,5	1,40	14,0	0,55	27,0	1,063	1.1/16"
MB10K-05-04	8	5/16"	05	1/4"-19	26,0	1,02	11,0	0,43	19,0	0,748	3/4"
MB10K-05-06	8	5/16"	05	3/8"-19	28,5	1,12	12,0	0,47	22,0	0,866	7/8"
MB10K-05-08	8	5/16"	05	1/2"-14	33,0	1,30	14,0	0,55	27,0	1,063	1.1/16"
MB10K-06-04	10	3/8"	06	1/4"-19	26,5	1,04	11,0	0,43	19,0	0,748	3/4"
MB10K-06-06	10	3/8"	06	3/8"-19	28,5	1,12	12,0	0,47	22,0	0,866	7/8"
MB10K-06-08	10	3/8"	06	1/2"-14	33,5	1,32	14,0	0,55	27,0	1,063	1.1/16"
MB10K-08-06	12	1/2"	08	3/8"-19	29,0	1,14	12,0	0,47	22,0	0,866	7/8"
MB10K-08-08	12	1/2"	08	1/2"-14	34,0	1,34	14,0	0,55	27,0	1,063	1.1/16"
MB10K-08-10	12	1/2"	08	5/8"-14	36,5	1,44	16,0	0,63	30,0	1,181	1.3/16"
MB10K-08-12	12	1/2"	08	3/4"-14	39,0	1,54	16,0	0,63	32,0	1,260	1.1/4"
MB10K-10-08	16	5/8"	10	1/2"-14	33,0	1,30	14,0	0,55	27,0	1,063	1.1/16"
MB10K-10-10	16	5/8"	10	5/8"-14	33,5	1,32	16,0	0,63	30,0	1,181	1.3/16"
MB10K-10-12	16	5/8"	10	3/4"-14	36,0	1,42	16,0	0,63	32,0	1,260	1.1/4"
MB10K-12-08	19	3/4"	12	1/2"-14	34,5	1,36	14,0	0,55	27,0	1,063	1.1/16"
MB10K-12-12	19	3/4"	12	3/4"-14	36,5	1,44	16,0	0,63	32,0	1,260	1.1/4"



For wire braid hoses

← MB10K



code	ø hose			T	A		B		ES		
	dn	inch	size		mm	in	mm	in	mm	in	 in
MB10K-12-16	19	3/4"	12	1"-11	40,5	1,59	19,0	0,75	41,0	1,614	1.5/8"
MB10K-16-16	25	1"	16	1"-11	42,0	1,65	19,0	0,75	41,0	1,614	1.5/8"
MB10K-16-20	25	1"	16	1.1/4"-11	47,0	1,85	20,0	0,79	50,0	1,969	2"

FITTING

- NPTF-NPSM
- JIC
- ORFS
- SAE
- GREASE
- JIS
- BSP-BSPT**
- METRIC
- SAE 3000 CODE 61
- STAPLE LOCK



FB13K FB11K FB12K**BSP female swivel 60° cone**

NO SKIVE

ISO 8434-6 / BS 5200

FITTING

NPTF-NPSM

JIC

ORFS

SAE

GREASE

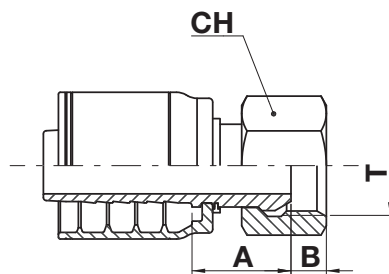
JIS

BSP-BSPT

METRIC

SAE 3000 CODE 61

STAPLE LOCK



code	ø hose			T	A		B		CH		
	dn	inch	size		mm	in	mm	in	mm	in	↻ in
FB11K-04-02	6	1/4"	04	1/8"-28	15,0	0,59	5,5	0,22	14,0	0,551	9/16"
FB13K-04-04	6	1/4"	04	1/4"-19	17,5	0,69	4,2	0,17	19,0	0,748	3/4"
FB13K-04-06	6	1/4"	04	3/8"-19	18,5	0,73	6,0	0,24	22,0	0,866	7/8"
FB11K-05-04	8	5/16"	05	1/4"-19	17,8	0,70	4,2	0,17	19,0	0,748	3/4"
FB13K-05-06	8	5/16"	05	3/8"-19	18,5	0,73	6,0	0,24	22,0	0,866	7/8"
FB11K-05-08	8	5/16"	05	1/2"-14	21,5	0,85	7,0	0,28	27,0	1,063	1.1/16"
FB11K-06-04	10	3/8"	06	1/4"-19	17,5	0,69	4,2	0,17	19,0	0,748	3/4"
FB13K-06-06	10	3/8"	06	3/8"-19	18,5	0,73	6,0	0,24	22,0	0,866	7/8"
FB13K-06-08	10	3/8"	06	1/2"-14	20,5	0,81	6,5	0,26	27,0	1,063	1.1/16"
FB11K-08-06	12	1/2"	08	3/8"-19	19,0	0,75	6,0	0,24	22,0	0,866	7/8"
FB13K-08-08	12	1/2"	08	1/2"-14	21,0	0,83	6,5	0,26	27,0	1,063	1.1/16"
FB11K-08-10	12	1/2"	08	5/8"-14	18,0	0,71	9,5	0,37	27,0	1,063	1.1/16"
FB11K-08-12	12	1/2"	08	3/4"-14	23,0	0,91	8,7	0,34	32,0	1,260	1.1/4"
FB11K-10-10	16	5/8"	10	5/8"-14	18,0	0,71	9,5	0,37	27,0	1,063	1.1/16"
FB11K-10-12	16	5/8"	10	3/4"-14	21,3	0,84	8,7	0,34	32,0	1,260	1.1/4"
FB11K-12-12	19	3/4"	12	3/4"-14	21,8	0,86	8,7	0,34	32,0	1,260	1.1/4"
FB12K-12-16	19	3/4"	12	1"-11	29,0	1,14	10,5	0,41	38,0	1,496	1.1/2"
FB12K-16-16	25	1"	16	1"-11	30,5	1,20	10,5	0,41	38,0	1,496	1.1/2"
FB12K-16-20	25	1"	16	1.1/4"-11	37,0	1,46	10,0	0,39	50,0	1,969	2"

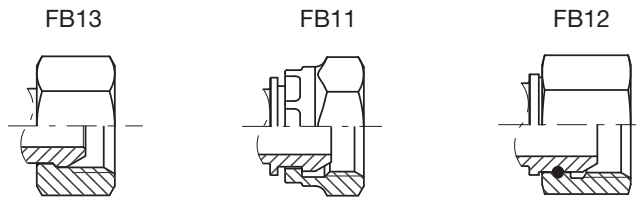


For wire braid hoses



← **FB13K FB11K FB12K**

Nut type



-
- FITTING**
- NPTF-NPSM
 - JIC
 - ORFS
 - SAE
 - GREASE
 - JIS
 - BSP-BSPT**
 - METRIC
 - SAE 3000 CODE 61
 - STAPLE LOCK

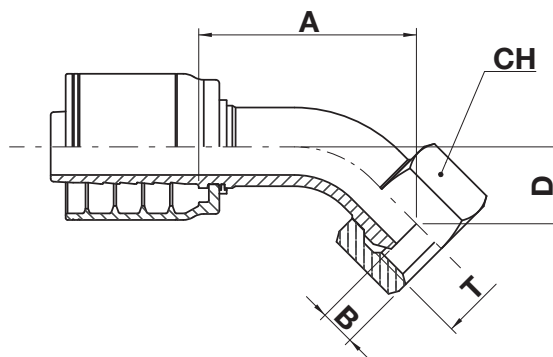


FB43K FB41K FB42K

BSP female swivel 60° cone - 45° elbow

NO SKIVE

ISO 8434-6 / BS 5200



FITTING

NPTF-NPSM

JIC

ORFS

SAE

GREASE

JIS

BSP-BSPT

METRIC

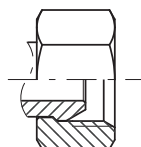
SAE 3000 CODE 61

STAPLE LOCK

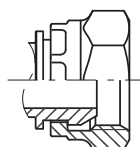
code	ø hose			T	A		B		D		CH		
	dn	inch	size		mm	in	mm	in	mm	in	mm	in	↗ in
FB43K-04-04	6	1/4"	04	1/4"-19	32,5	1,28	4,2	0,17	13,0	0,51	19,0	0,748	3/4"
FB43K-04-06	6	1/4"	04	3/8"-19	34,2	1,34	6,0	0,24	14,4	0,57	22,0	0,866	7/8"
FB41K-05-06	8	5/16"	05	3/8"-19	42,5	1,67	6,0	0,24	19,0	0,75	22,0	0,866	7/8"
FB43K-05-06	8	5/16"	05	3/8"-19	38,0	1,49	6,0	0,24	15,0	0,59	22,0	0,866	7/8"
FB43K-06-06	10	3/8"	06	3/8"-19	37,6	1,48	6,0	0,24	14,6	0,58	22,0	0,866	7/8"
FB43K-06-08	10	3/8"	06	1/2"-14	38,6	1,52	6,5	0,26	15,8	0,62	27,0	1,063	1.1/16"
FB43K-08-08	12	1/2"	08	1/2"-14	48,0	1,89	6,5	0,26	18,0	0,71	27,0	1,063	1.1/16"
FB41K-10-10	16	5/8"	10	5/8"-14	60,5	2,38	9,5	0,37	23,3	0,92	30,0	1,181	1.3/16"
FB41K-10-12	16	5/8"	10	3/4"-14	64,0	2,52	8,7	0,34	26,9	1,06	32,0	1,260	1.1/4"
FB41K-12-12	19	3/4"	12	3/4"-14	67,4	2,66	8,7	0,34	26,9	1,06	32,0	1,260	1.1/4"
FB42K-16-16	25	1"	16	1"-11	85,0	3,35	10,5	0,41	35,2	1,39	38,0	1,496	1.1/2"

Nut type

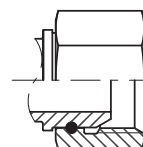
FB43



FB41



FB42

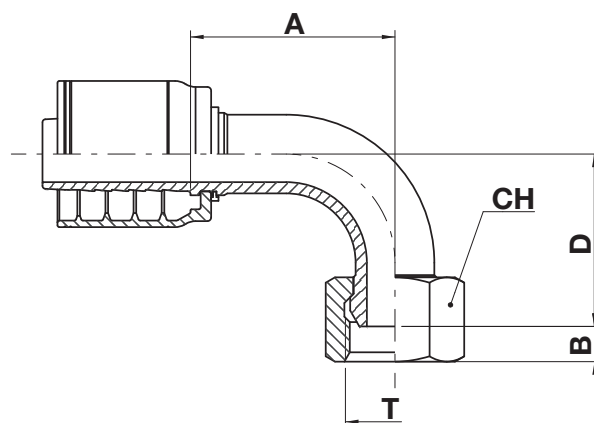


FB93K FB91K FB92K

BSP female swivel 60° cone - 90° elbow

NO SKIVE

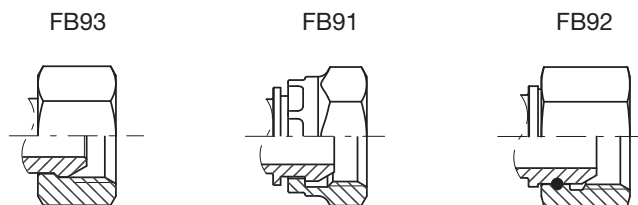
ISO 8434-6 / BS 5200



- FITTING**
- NPTF-NPSM
 - JIC
 - ORFS
 - SAE
 - GREASE
 - JIS
 - BSP-BSPT**
 - METRIC
 - SAE 3000 CODE 61
 - STAPLE LOCK

code	ø hose			T	A		B		D		CH		
	dn	inch	size		mm	in	mm	in	mm	in	mm	in	in
FB93K-04-04	6	1/4"	04	1/4"-19	27,6	1,09	4,2	0,17	27,5	1,08	19,0	0,748	3/4"
FB93K-04-06	6	1/4"	04	3/8"-19	28,0	1,10	6,0	0,24	29,5	1,16	22,0	0,866	7/8"
FB93K-05-06	8	5/16"	05	3/8"-19	32,5	1,28	6,0	0,24	30,0	1,18	22,0	0,866	7/8"
FB93K-06-06	10	3/8"	06	3/8"-19	31,5	1,24	6,0	0,24	29,5	1,16	22,0	0,866	7/8"
FB93K-06-08	10	3/8"	06	1/2"-14	30,3	1,19	6,5	0,26	31,2	1,23	27,0	1,063	1.1/16"
FB93K-08-08	12	1/2"	08	1/2"-14	37,2	1,47	6,5	0,26	36,0	1,42	27,0	1,063	1.1/16"
FB91K-08-10	12	1/2"	08	5/8"-14	45,0	1,77	9,5	0,37	42,3	1,67	30,0	1,181	1.3/16"
FB91K-10-10	16	5/8"	10	5/8"-14	54,0	2,13	9,5	0,37	50,0	1,97	30,0	1,181	1.3/16"
FB91K-10-12	16	5/8"	10	3/4"-14	54,0	2,13	8,7	0,34	55,0	2,17	32,0	1,260	1.1/4"
FB91K-12-12	19	3/4"	12	3/4"-14	55,5	2,19	8,7	0,34	55,0	2,17	32,0	1,260	1.1/4"
FB92K-12-16	19	3/4"	12	1"-11	60,5	2,38	10,5	0,41	66,0	2,60	38,0	1,496	1.1/2"
FB92K-16-16	25	1"	16	1"-11	72,0	2,83	10,5	0,41	73,0	2,89	38,0	1,496	1.1/2"

Nut type

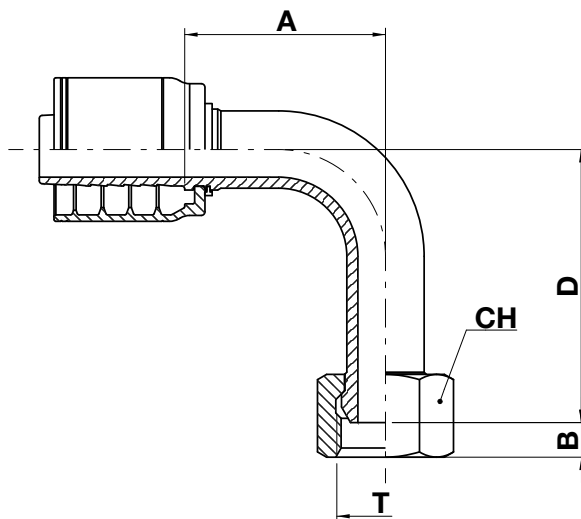


FB93K-L

BSP female swivel 60° cone - 90° elbow (long drop)

NO SKIVE

ISO 8434-6 / BS 5200

**FITTING**

NPTF-NPSM

JIC

ORFS

SAE

GREASE

JIS

BSP-BSPT

METRIC

SAE 3000 CODE 61

STAPLE LOCK

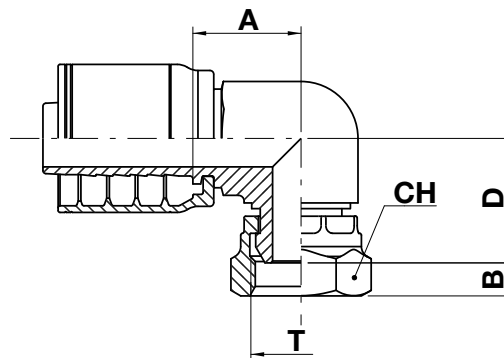
code	ø hose			T	A		B		D		CH		
	dn	inch	size		mm	in	mm	in	mm	in	mm	in	↗ in
FB93K-04-04-61	6	1/4"	04	1/4"-19	27,6	1,09	4,2	0,17	61,0	2,40	19,0	0,748	3/4"
FB93K-06-06-63	10	3/8"	06	3/8"-19	31,5	1,24	6,0	0,24	63,0	2,48	22,0	0,866	7/8"
FB93K-08-08-71	12	1/2"	08	1/2"-14	37,2	1,47	6,5	0,26	71,0	2,80	27,0	1,063	1.1/16"

KM91K

BSP female swivel 60° cone - 90° compact elbow

NO SKIVE

ISO 8434-6 / BS 5200



- FITTING**
- NPTF-NPSM
 - JIC
 - ORFS
 - SAE
 - GREASE
 - JIS
 - BSP-BSPT**
 - METRIC
 - SAE 3000 CODE 61
 - STAPLE LOCK

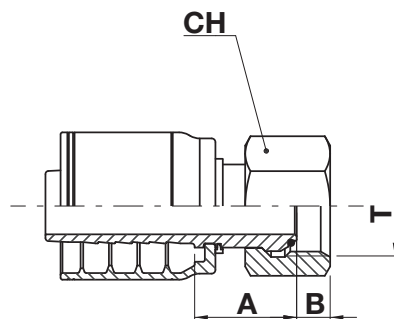
code	ø hose			T	A		B		D		CH		
	dn	inch	size		mm	in	mm	in	mm	in	mm	in	↗ in
KM91K-04-04	6	1/4"	04	1/4"-19	18,5	0,73	4,2	0,17	22,6	0,89	19,0	0,748	3/4"
KM91K-06-06	10	3/8"	06	3/8"-19	21,5	0,85	5,7	0,22	25,5	1,00	22,0	0,866	7/8"
KM91K-08-08	12	1/2"	08	1/2"-14	25,0	0,98	6,9	0,27	28,5	1,12	27,0	1,063	1.1/16"
KM91K-10-10	16	5/8"	10	5/8"-14	27,0	1,06	9,0	0,35	27,5	1,08	30,0	1,181	1.3/16"
KM91K-12-12	19	3/4"	12	3/4"-14	28,5	1,12	8,7	0,34	32,8	1,29	32,0	1,260	1.1/4"
KM91K-16-16	25	1"	16	1"-11	34,0	1,34	10,5	0,41	37,5	1,48	41,0	1,614	1.5/8"

FO13K FO12K

BSP O-ring female swivel 60° cone

NO SKIVE

ISO 8434-6 / BS 5200



FITTING

NPTF-NPSM

JIC

ORFS

SAE

GREASE

JIS

BSP-BSPT

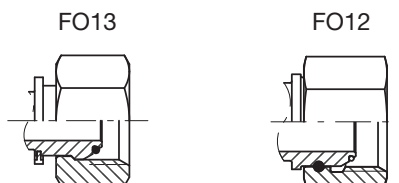
METRIC

SAE 3000 CODE 61

STAPLE LOCK

code	ø hose			T	A		B		CH		
	dn	inch	size		mm	in	mm	in	mm	in	in
FO13K-04-04	6	1/4"	04	1/4"-19	17,5	0,69	4,2	0,17	19,0	0,748	3/4"
FO13K-06-06	10	3/8"	06	3/8"-19	19,0	0,75	6,1	0,24	22,0	0,866	7/8"
FO13K-08-08	12	1/2"	08	1/2"-14	21,0	0,83	6,5	0,26	27,0	1,063	1.1/16"
FO12K-10-10	16	5/8"	10	5/8"-14	21,5	0,85	9,5	0,37	30,0	1,181	1.3/16"
FO12K-12-12	19	3/4"	12	3/4"-14	24,0	0,94	8,7	0,34	32,0	1,260	1.1/4"
FO12K-16-16	25	1"	16	1"-11	30,5	1,20	10,5	0,41	38,0	1,496	1.1/2"

Nut type



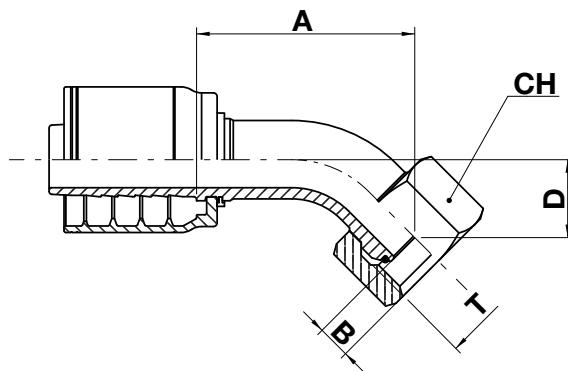
FO43K FO42K

K

BSP O-ring female swivel 60° cone - 45° elbow

NO SKIVE

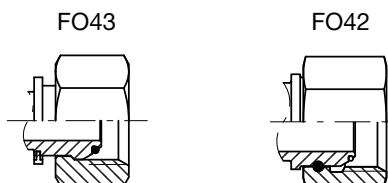
ISO 8434-6 / BS 5200



.....
FITTING
 NPTF-NPSM
 JIC
 ORFS
 SAE
 GREASE
 JIS
BSP-BSPT
 METRIC
 SAE 3000 CODE 61
 STAPLE LOCK

code	ø hose			T	A		B		D		CH		
	dn	inch	size		mm	in	mm	in	mm	in	mm	in	in
FO43K-04-04	6	1/4"	04	1/4"-19	32,5	1,28	4,2	0,17	13,0	0,51	19,0	0,748	3/4"
FO43K-06-06	10	3/8"	06	3/8"-19	37,7	1,48	6,1	0,24	15,0	0,59	22,0	0,866	7/8"
FO43K-08-08	12	1/2"	08	1/2"-14	46,0	1,81	6,5	0,26	18,0	0,71	27,0	1,063	1.1/16"
FO42K-10-10	16	5/8"	10	5/8"-14	63,0	2,48	9,5	0,37	26,0	1,02	30,0	1,181	1.3/16"
FO42K-12-12	19	3/4"	12	3/4"-14	68,9	2,71	8,7	0,34	28,3	1,11	32,0	1,260	1.1/4"
FO42K-16-16	25	1"	16	1"-11	83,6	3,29	10,5	0,41	33,8	1,33	38,0	1,496	1.1/2"

Nut type

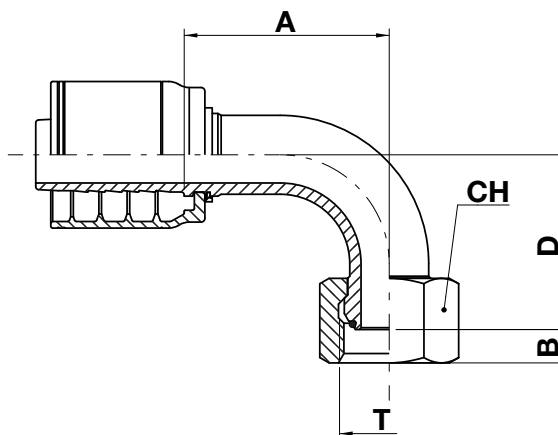


FO93K FO92K

BSP O-ring female swivel 60° cone - 90° elbow

NO SKIVE

ISO 8434-6 / BS 5200

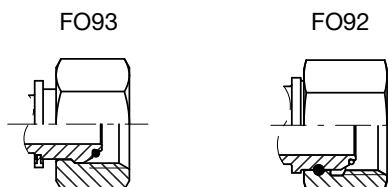


FITTING

- NPTF-NPSM
- JIC
- ORFS
- SAE
- GREASE
- JIS
- BSP-BSPT**
- METRIC
- SAE 3000 CODE 61
- STAPLE LOCK

code	ø hose			T	A		B		D		CH		
	dn	inch	size		mm	in	mm	in	mm	in	mm	in	↗ in
FO93K-04-04	6	1/4"	04	1/4"-19	27,5	1,08	4,2	0,17	27,5	1,08	19,0	0,748	3/4"
FO93K-06-06	10	3/8"	06	3/8"-19	31,5	1,24	6,1	0,24	30,0	1,18	22,0	0,866	7/8"
FO93K-08-08	12	1/2"	08	1/2"-14	37,3	1,47	6,5	0,26	36,0	1,42	27,0	1,063	1.1/16"
FO92K-10-10	16	5/8"	10	5/8"-14	54,0	2,13	9,5	0,37	53,5	2,10	30,0	1,181	1.3/16"
FO92K-12-12	19	3/4"	12	3/4"-14	58,0	2,28	8,7	0,34	57,0	2,24	32,0	1,260	1.1/4"
FO92K-16-16	25	1"	16	1"-11	72,0	2,83	10,5	0,41	71,0	2,80	38,0	1,496	1.1/2"

Nut type

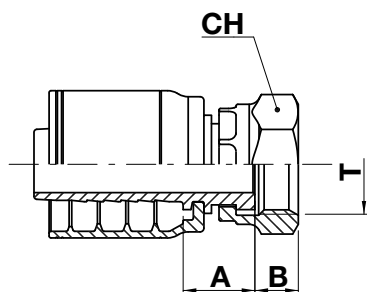


FP11K FP13K FP12K



BSP flat face female swivel

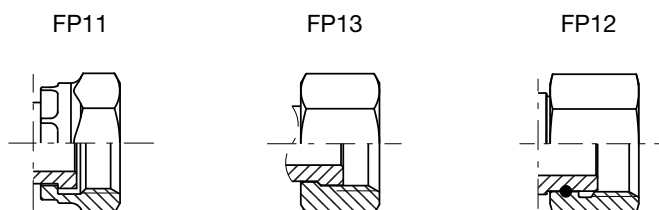
NO SKIVE



- FITTING**
- NPTF-NPSM
 - JIC
 - ORFS
 - SAE
 - GREASE
 - JIS
 - BSP-BSPT**
 - METRIC
 - SAE 3000 CODE 61
 - STAPLE LOCK

code	ø hose			T	A		B		CH		
	dn	inch	size		mm	in	mm	in	mm	in	↻ in
FP13K-04-04	06	1/4"	04	1/4"-19	21,5	0,85	6,5	0,26	19,0	0,748	3/4"
FP11K-06-06	10	3/8"	06	3/8"-19	15,5	0,61	9,0	0,35	22,0	0,866	7/8"
FP11K-06-08	10	3/8"	06	1/2"-14	16,0	0,63	10,5	0,41	27,0	1,063	1.1/16"
FP11K-08-08	12	1/2"	08	1/2"-14	16,5	0,65	10,5	0,41	27,0	1,063	1.1/16"
FP11K-08-12	12	1/2"	08	3/4"-14	21,5	0,85	11,5	0,45	32,0	1,260	1.1/4"
FP11K-12-12	19	3/4"	12	3/4"-14	19,0	0,75	11,5	0,45	32,0	1,260	1.1/4"
FP12K-16-16	25	1"	16	1"-11	26,0	1,02	13,0	0,51	38,0	1,496	1.1/2"

Nut type



BB10K

BSP banjo

NO SKIVE

FITTING

NPTF-NPSM

JIC

ORFS

SAE

GREASE

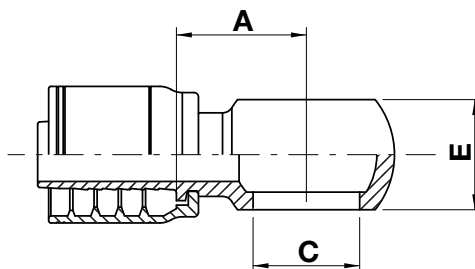
JIS

BSP-BSPT

METRIC

SAE 3000 CODE 61

STAPLE LOCK

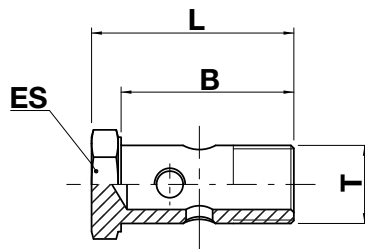


code	ø hose			flange	A		C		E	
	dn	inch	size		mm	in	mm	in	mm	in
BB10K-04-02	6	1/4"	04	1/8"-28	22,0	0,87	10,2	0,40	10,0	0,39
BB10K-04-04	6	1/4"	04	1/4"-19	22,0	0,87	13,3	0,52	14,0	0,55
BB10K-04-06	6	1/4"	04	3/8"-19	23,0	0,91	16,8	0,66	18,0	0,71
BB10K-05-06	8	5/16"	05	3/8"-19	23,0	0,91	16,8	0,66	18,0	0,71
BB10K-06-06	10	3/8"	06	3/8"-19	24,0	0,94	16,8	0,66	18,0	0,71
BB10K-06-08	10	3/8"	06	1/2"-14	26,0	1,02	21,0	0,83	22,0	0,87
BB10K-08-08	12	1/2"	08	1/2"-14	27,0	1,06	21,0	0,83	22,0	0,87
BB10K-10-10	16	5/8"	10	5/8"-14	28,0	1,10	23,1	0,91	24,0	0,94
BB10K-12-12	19	3/4"	12	3/4"-14	36,5	1,44	26,5	1,04	29,0	1,14
BB10K-16-16	25	1"	16	1"-11	44,5	1,75	33,5	1,32	37,0	1,46

VB10B


BSP banjo bolt

NO SKIVE



FITTING

- NPTF-NPSM
- JIC
- ORFS
- SAE
- GREASE
- JIS
- BSP-BSPT**
- METRIC
- SAE 3000 CODE 61
- STAPLE LOCK

code	T	B		L		ES		
		mm	in	mm	in	mm	in	 in
VB10B-02	1/8"-28	19,0	0,75	24,0	0,94	14,0	0,551	9/16"
VB10B-04	1/4"-19	25,0	0,98	32,0	1,26	19,0	0,748	3/4"
VB10B-06	3/8"-19	31,0	1,22	38,0	1,50	22,0	0,866	7/8"
VB10B-08	1/2"-14	38,0	1,50	46,0	1,81	27,0	1,063	1.1/16"
VB10B-10	5/8"-14	41,0	1,61	49,0	1,93	30,0	1,181	1.3/16"
VB10B-12	3/4"-14	46,0	1,81	56,0	2,20	32,0	1,260	1.1/4"
VB10B-16	1"-11	58,0	2,28	69,0	2,72	41,0	1,614	1.5/8"

K

For wire braid hoses

KW15K

Jet wash female swivel "K" type

NO SKIVE

FITTING

NPTF-NPSM

JIC

ORFS

SAE

GREASE

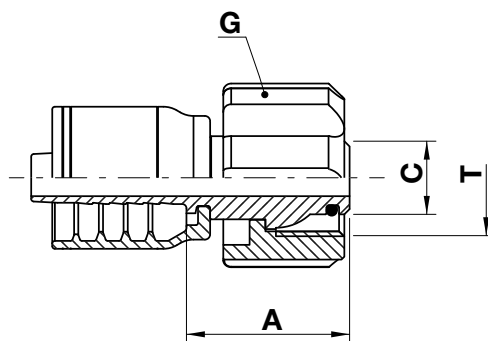
JIS

BSP-BSPT

METRIC

SAE 3000 CODE 61

STAPLE LOCK

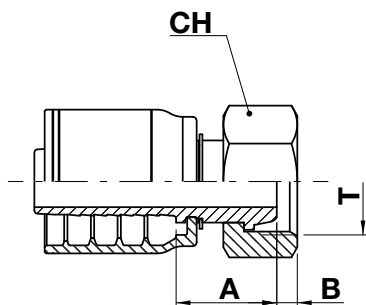


code	ø hose			T	A		C		G	
	dn	inch	size		mm	in	mm	in	mm	in
KW15K-04-22	6	1/4"	04	M22X1,5	31,0	1,22	14,0	0,55	36,0	1,42
KW15K-05-22	8	5/16"	05	M22X1,5	31,0	1,22	14,0	0,55	36,0	1,42
KW15K-06-22	10	3/8"	06	M22X1,5	31,0	1,22	14,0	0,55	36,0	1,42

FQ13K

Metric female swivel (multiseal 24°/60° cone seat)

NO SKIVE

**FITTING**

NPTF-NPSM
 JIC
 ORFS
 SAE
 GREASE
 JIS
 BSP-BSPT
METRIC
 SAE 3000 CODE 61
 STAPLE LOCK

code	ø hose			T	A		B		CH		
	dn	inch	size		mm	in	mm	in	mm	in	in
FQ13K-04-14	6	1/4"	04	M14X1,5	20,5	0,81	3,5	0,14	17,0	0,669	11/16"
FQ13K-04-16	6	1/4"	04	M16X1,5	22,0	0,87	5,0	0,20	19,0	0,748	3/4"
FQ13K-05-16	8	5/16"	05	M16X1,5	21,0	0,83	5,0	0,20	19,0	0,748	3/4"
FQ13K-05-18	8	5/16"	05	M18X1,5	21,0	0,83	5,0	0,20	22,0	0,866	7/8"
FQ13K-06-16	10	3/8"	06	M16X1,5	21,6	0,85	5,0	0,20	22,0	0,866	7/8"
FQ13K-06-18	10	3/8"	06	M18X1,5	21,0	0,83	5,0	0,20	22,0	0,866	7/8"
FQ13K-08-22	12	1/2"	08	M22X1,5	24,5	0,96	5,0	0,20	27,0	1,063	1.1/16"
FQ13K-10-26	16	5/8"	10	M26X1,5	24,5	0,96	6,0	0,24	32,0	1,260	1.1/4"

FQ93K

Metric female swivel - 90° elbow (multiseal 24°/60° cone seat)

NO SKIVE

FITTING

NPTF-NPSM

JIC

ORFS

SAE

GREASE

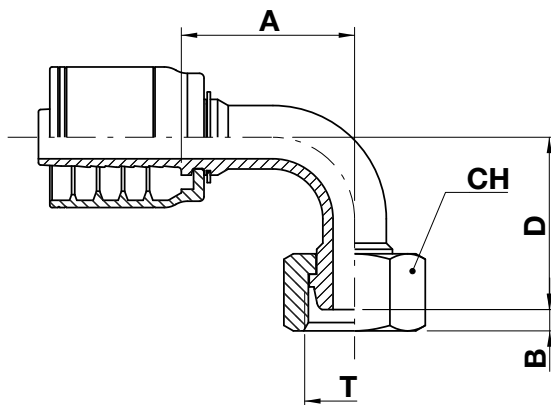
JIS

BSP-BSPT

METRIC

SAE 3000 CODE 61

STAPLE LOCK



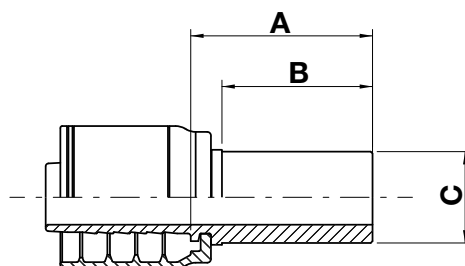
code	ø hose			T	A		B		D		CH		
	dn	inch	size		mm	in	mm	in	mm	in	mm	in	in
FQ93K-04-14	6	1/4"	04	M14X1,5	28,0	1,10	3,5	0,14	29,5	1,16	17,0	0,669	11/16"
FQ93K-04-16	6	1/4"	04	M16X1,5	29,5	2,03	5,0	0,20	30,0	1,18	19,0	0,748	3/4"
FQ93K-05-16	8	5/16"	05	M16X1,5	31,5	1,24	5,0	0,20	33,0	1,30	19,0	0,748	3/4"
FQ93K-06-16	10	3/8"	06	M16X1,5	35,5	1,39	5,0	0,20	33,5	1,31	22,0	0,866	7/8"
FQ93K-06-18	10	3/8"	06	M18X1,5	30,5	1,20	5,0	0,20	33,5	1,32	22,0	0,866	7/8"
FQ93K-08-22	12	1/2"	08	M22X1,5	38,2	1,50	5,0	0,20	38,0	1,50	27,0	1,063	1.1/16"
FQ93K-10-26	16	5/8"	10	M26X1,5	54,0	2,13	6,0	0,24	52,5	2,07	32,0	1,260	1.1/4"

SM10K

Metric standpipe

NO SKIVE

ISO 8434-1 / (DIN 2353)

**K****FITTING**

NPTF-NPSM

JIC

ORFS

SAE

GREASE

JIS

BSP-BSPT

METRIC

SAE 3000 CODE 61

STAPLE LOCK

code	ø hose			C		A		B	
	dn	inch	size	mm	in	mm	in	mm	in
SM10K-04-06	6	1/4"	04	6,0	0,24	28,0	1,10	22,0	0,87
SM10K-04-08	6	1/4"	04	8,0	0,31	29,5	1,16	23,0	0,91
SM10K-04-10	6	1/4"	04	10,0	0,39	33,0	1,30	27,0	1,06
SM10K-05-10	8	5/16"	05	10,0	0,39	30,5	1,20	24,0	0,94
SM10K-06-10	10	3/8"	06	10,0	0,39	30,5	1,20	24,0	0,94
SM10K-06-12	10	3/8"	06	12,0	0,47	30,5	1,20	24,0	0,94
SM10K-08-15	12	1/2"	08	15,0	0,59	32,0	1,26	25,0	0,98
SM10K-08-16	12	1/2"	08	16,0	0,63	37,0	1,46	30,0	1,18
SM10K-10-18	16	5/8"	10	18,0	0,71	34,0	1,34	27,0	1,06
SM10K-10-20	16	5/8"	10	20,0	0,79	43,0	1,69	36,0	1,42
SM10K-12-18	19	3/4"	12	18,0	0,71	34,5	1,36	27,0	1,06
SM10K-12-20	19	3/4"	12	20,0	0,79	44,5	1,75	36,0	1,42
SM10K-12-22	19	3/4"	12	22,0	0,87	36,5	1,44	28,0	1,10
SM10K-12-25	19	3/4"	12	25,0	0,98	49,5	1,95	41,0	1,61
SM10K-16-25	25	1"	16	25,0	0,98	51,0	2,01	41,0	1,61
SM10K-16-28	25	1"	16	28,0	1,10	40,0	1,57	30,0	1,18
SM10K-16-30	25	1"	16	30,0	1,18	54,0	2,13	44,0	1,73

SM40K

Metric standpipe - 45° elbow

NO SKIVE

ISO 8434-1 / (DIN 2353)

FITTING

NPTF-NPSM

JIC

ORFS

SAE

GREASE

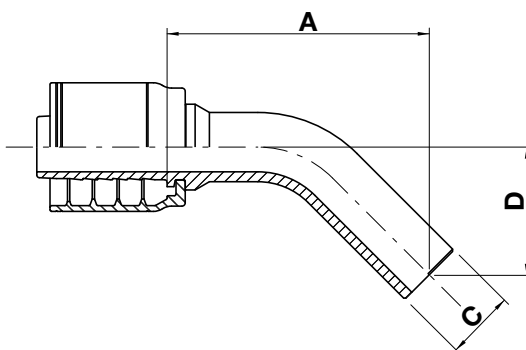
JIS

BSP-BSPT

METRIC

SAE 3000 CODE 61

STAPLE LOCK



code	ø hose			C		A		D	
	dn	inch	size	mm	in	mm	in	mm	in
SM40K-04-06	6	1/4"	04	6,0	0,24	45,0	1,77	22,0	0,87
SM40K-04-08	6	1/4"	04	8,0	0,31	41,5	1,63	22,6	0,89
SM40K-04-10	6	1/4"	04	10,0	0,39	58,0	2,28	25,8	1,02
SM40K-05-10	8	5/16"	05	10,0	0,39	57,0	2,24	24,5	0,96
SM40K-05-12	8	5/16"	05	12,0	0,47	56,0	2,20	29,0	1,14
SM40K-06-10	10	3/8"	06	10,0	0,39	45,5	1,79	22,0	0,87
SM40K-06-12	10	3/8"	06	12,0	0,47	56,0	2,20	29,0	1,14
SM40K-08-15	12	1/2"	08	15,0	0,59	60,5	2,38	28,0	1,10
SM40K-08-16	12	1/2"	08	16,0	0,63	53,0	2,09	34,0	1,34
SM40K-10-18	16	5/8"	10	18,0	0,71	72,0	2,83	35,4	1,39
SM40K-10-20	16	5/8"	10	20,0	0,79	87,9	3,46	46,0	1,81
SM40K-12-22	19	3/4"	12	22,0	0,87	77,4	3,05	37,7	1,48
SM40K-12-25	19	3/4"	12	25,0	0,98	88,5	3,48	47,0	1,85
SM40K-16-28	25	1"	16	28,0	1,10	95,0	3,74	45,5	1,79
SM40K-16-30	25	1"	16	30,0	1,18	96,0	3,78	47,2	1,86

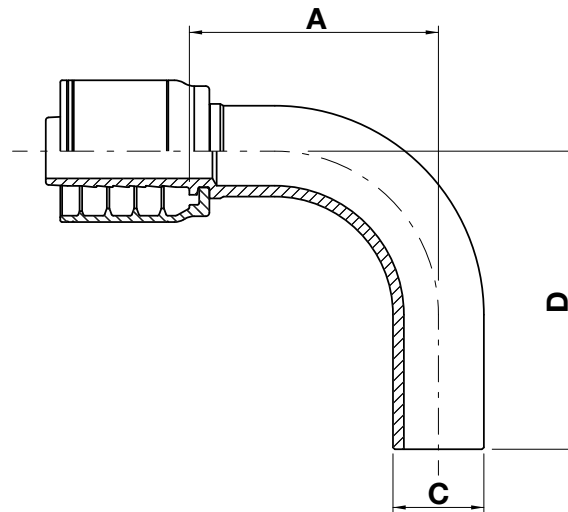
SM90K

K

Metric standpipe - 90° elbow

NO SKIVE

ISO 8434-1 / (DIN 2353)



FITTING

- NPTF-NPSM
- JIC
- ORFS
- SAE
- GREASE
- JIS
- BSP-BSPT
- METRIC**
- SAE 3000 CODE 61
- STAPLE LOCK

code	ø hose			C		A		D	
	dn	inch	size	mm	in	mm	in	mm	in
SM90K-04-06	6	1/4"	04	6,0	0,24	26,0	1,02	34,0	1,34
SM90K-04-08	6	1/4"	04	8,0	0,31	26,0	1,02	39,0	1,54
SM90K-04-10	6	1/4"	04	10,0	0,39	45,5	1,77	36,0	1,42
SM90K-05-10	8	5/16"	05	10,0	0,39	36,0	1,42	39,0	1,54
SM90K-06-10	10	3/8"	06	10,0	0,39	37,0	1,46	50,0	1,97
SM90K-06-12	10	3/8"	06	12,0	0,47	32,5	1,28	47,0	1,85
SM90K-08-15	12	1/2"	08	15,0	0,59	43,5	1,71	54,0	2,13
SM90K-08-16	12	1/2"	08	16,0	0,63	42,5	1,67	53,5	2,11
SM90K-10-18	16	5/8"	10	18,0	0,71	58,5	2,30	63,0	2,48
SM90K-10-20	16	5/8"	10	20,0	0,79	59,5	2,34	68,0	2,68
SM90K-12-20	19	3/4"	12	20,0	0,79	55,5	2,19	77,0	3,03
SM90K-12-22	19	3/4"	12	22,0	0,87	53,0	2,09	70,5	2,78
SM90K-12-25	19	3/4"	12	25,0	0,98	68,5	2,70	82,0	3,23
SM90K-16-25	25	1"	16	25,0	0,98	68,5	2,70	89,0	3,50
SM90K-16-28	25	1"	16	28,0	1,10	68,0	2,68	89,0	3,50

BM10K

Metric banjo

NO SKIVE

FITTING

NPTF-NPSM

JIC

ORFS

SAE

GREASE

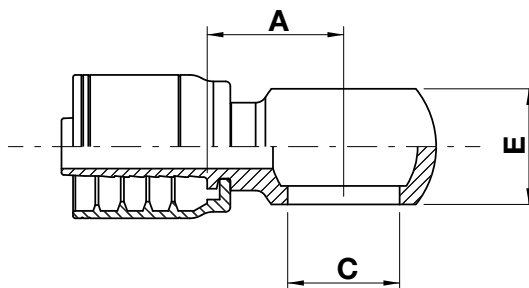
JIS

BSP-BSPT

METRIC

SAE 3000 CODE 61

STAPLE LOCK



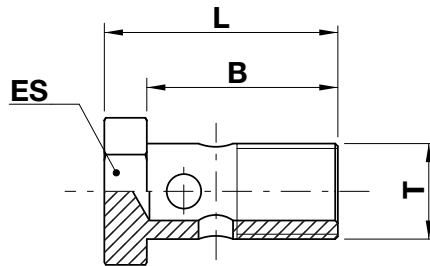
code	ø hose			T	A		C		E	
	dn	inch	size		mm	in	mm	in	mm	in
BM10K-04-10	6	1/4"	04	M10X1	22,0	0,87	10,2	0,40	10,0	0,39
BM10K-04-12	6	1/4"	04	M12X1,5	21,0	0,83	12,2	0,48	12,0	0,47
BM10K-04-14	6	1/4"	04	M14X1,5	21,0	0,83	14,2	0,56	14,0	0,55
BM10K-04-16	6	1/4"	04	M16X1,5	23,0	0,91	16,2	0,63	18,0	0,71
BM10K-05-12	8	5/16"	05	M12X1,5	21,0	0,83	12,2	0,47	12,0	0,47
BM10K-05-14	8	5/16"	05	M14X1,5	23,2	0,91	14,2	0,56	14,0	0,55
BM10K-05-16	8	5/16"	05	M16X1,5	23,0	0,91	16,2	0,64	18,0	0,71
BM10K-06-14	10	3/8"	06	M14X1,5	24,5	0,96	14,2	0,56	14,0	0,55
BM10K-06-16	10	3/8"	06	M16X1,5	24,0	0,94	16,2	0,64	18,0	0,71
BM10K-06-18	10	3/8"	06	M18X1,5	27,5	1,08	18,2	0,72	20,0	0,79
BM10K-06-22	10	3/8"	06	M22X1,5	26,5	1,04	22,2	0,87	22,0	0,87
BM10K-08-16	12	1/2"	08	M16X1,5	24,5	0,96	16,2	0,63	18,0	0,71
BM10K-08-18	12	1/2"	08	M18X1,5	28,1	1,11	18,2	0,72	20,0	0,79
BM10K-08-22	12	1/2"	08	M22X1,5	27,0	1,06	22,2	0,87	22,0	0,87
BM10K-08-24	12	1/2"	08	M24X1,5	29,5	1,16	24,2	0,94	25,0	0,98
BM10K-10-22	16	5/8"	10	M22X1,5	28,0	1,10	22,2	0,87	22,0	0,87
BM10K-12-26	19	3/4"	12	M26X1,5	36,5	1,44	26,2	1,03	29,0	1,14
BM10K-16-30	25	1"	16	M30X1,5	44,5	1,75	30,2	1,19	37,0	1,46

VM10B

Metric banjo bolt

NO SKIVE

DIN 7643

**K****FITTING**

NPTF-NPSM

JIC

ORFS

SAE

GREASE

JIS

BSP-BSPT

METRIC

SAE 3000 CODE 61

STAPLE LOCK

code	T	B		L		ES		
		mm	in	mm	in	mm	in	↻ in
VM10B-08	M8X1	16	0,63	21,0	0,83	12,0	0,472	1/2"
VM10B-10	M10X1	19	0,75	24,0	0,94	14,0	0,551	9/16"
VM10B-12	M12X1,5	23	0,91	28,0	1,10	17,0	0,669	11/16"
VM10B-14	M14X1,5	25	0,98	32,0	1,26	19,0	0,748	3/4"
VM10B-16	M16X1,5	31	1,22	37,0	1,46	22,0	0,866	7/8"
VM10B-18	M18X1,5	36	1,42	44,0	1,73	24,0	0,945	15/16"
VM10B-22	M22X1,5	38	1,50	46,0	1,81	27,0	1,063	1.1/16"
VM10B-24	M24X1,5	41	1,61	49,0	1,93	30,0	1,181	1.3/16"
VM10B-26	M26X1,5	46	1,81	56,0	2,20	32,0	1,260	1.1/4"
VM10B-30	M30X1,5	58	2,28	69,0	2,72	38,0	1,496	1.1/2"

ML10K

Metric light male (24° cone seat)

NO SKIVE

ISO 8434-1 / DIN 3865

FITTING

NPTF-NPSM

JIC

ORFS

SAE

GREASE

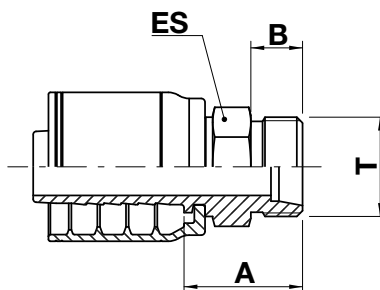
JIS

BSP-BSPT

METRIC

SAE 3000 CODE 61

STAPLE LOCK



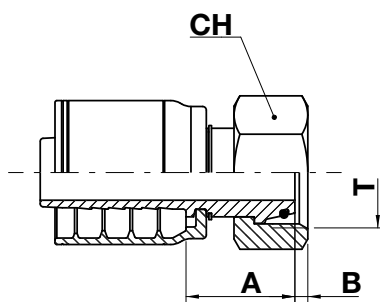
code	ø hose			T	pipe	A		B		ES		
	dn	inch	size			mm	in	mm	in	mm	in	↻ in
ML10K-04-12	6	1/4"	04	M12X1,5	L6	22,5	0,89	10,0	0,39	14,0	0,551	9/16"
ML10K-04-14	6	1/4"	04	M14X1,5	L8	22,5	0,89	10,0	0,39	14,0	0,551	9/16"
ML10K-04-16	6	1/4"	04	M16X1,5	L10	24,5	0,96	11,0	0,43	17,0	0,669	11/16"
ML10K-05-16	8	5/16"	05	M16X1,5	L10	24,5	0,96	11,0	0,43	17,0	0,669	11/16"
ML10K-05-18	8	5/16"	05	M18X1,5	L12	25,0	0,98	11,0	0,43	19,0	0,748	3/4"
ML10K-06-16	10	3/8"	06	M16X1,5	L10	24,5	0,96	11,0	0,43	17,0	0,669	11/16"
ML10K-06-18	10	3/8"	06	M18X1,5	L12	25,0	0,98	11,0	0,43	19,0	0,748	3/4"
ML10K-06-22	10	3/8"	06	M22X1,5	L15	26,0	1,02	12,0	0,47	22,0	0,866	7/8"
ML10K-08-18	12	1/2"	08	M18X1,5	L12	25,5	1,00	11,0	0,43	19,0	0,748	3/4"
ML10K-08-22	12	1/2"	08	M22X1,5	L15	26,5	1,04	12,0	0,47	22,0	0,866	7/8"
ML10K-08-26	12	1/2"	08	M26X1,5	L18	29,0	1,14	12,0	0,47	27,0	1,063	1.1/16"
ML10K-10-26	16	5/8"	10	M26X1,5	L18	29,0	1,14	12,0	0,47	27,0	1,063	1.1/16"
ML10K-12-26	19	3/4"	12	M26X1,5	L18	29,5	1,16	12,0	0,47	27,0	1,063	1.1/16"
ML10K-12-30	19	3/4"	12	M30X2	L22	31,5	1,24	14,0	0,55	30,0	1,181	1.3/16"
ML10K-16-36	25	1"	16	M36X2	L28	34,0	1,34	14,0	0,55	36,0	1,417	1.7/16"

FL13K FL11K FL12K

Metric light female swivel (24° cone seat)

NO SKIVE

ISO 8434-1 / DIN 3865

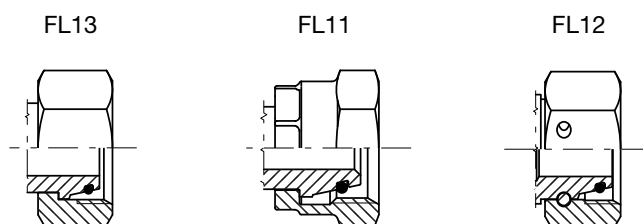


FITTING

-
- NPTF-NPSM
- JIC
- ORFS
- SAE
- GREASE
- JIS
- BSP-BSPT
- METRIC**
- SAE 3000 CODE 61
- STAPLE LOCK

code	ø hose			T	pipe	A		B		CH		
	dn	inch	size			mm	in	mm	in	mm	in	 in
FL11K-04-12	6	1/4"	04	M12X1,5	L6	20,9	0,82	2,6	0,10	16,0	0,630	-
FL13K-04-14	6	1/4"	04	M14X1,5	L8	25,0	0,98	1,5	0,06	17,0	0,669	11/16"
FL13K-04-16	6	1/4"	04	M16X1,5	L10	27,5	1,08	1,5	0,06	19,0	0,748	3/4"
FL13K-04-18	6	1/4"	04	M18X1,5	L12	26,0	1,02	1,5	0,06	22,0	0,866	7/8"
FL13K-05-16	8	5/16"	05	M16X1,5	L10	27,5	1,08	1,5	0,06	19,0	0,748	3/4"
FL13K-05-18	8	5/16"	05	M18X1,5	L12	26,0	1,02	1,5	0,06	22,0	0,866	7/8"
FL12K-06-16	10	3/8"	06	M16X1,5	L10	23,0	0,91	3,5	0,14	19,0	0,748	3/4"
FL13K-06-18	10	3/8"	06	M18X1,5	L12	26,0	1,02	1,5	0,06	22,0	0,866	7/8"
FL13K-06-22	10	3/8"	06	M22X1,5	L15	28,5	1,12	2,5	0,10	27,0	1,063	1.1/16"
FL13K-08-22	12	1/2"	08	M22X1,5	L15	28,5	1,12	2,5	0,10	27,0	1,063	1.1/16"
FL13K-08-26	12	1/2"	08	M26X1,5	L18	30,0	1,18	2,0	0,08	32,0	1,260	1.1/4"
FL13K-10-26	16	5/8"	10	M26X1,5	L18	29,0	1,14	2,0	0,08	32,0	1,260	1.1/4"
FL13K-12-30	19	3/4"	12	M30X2	L22	29,5	1,16	3,5	0,14	36,0	1,417	1.7/16"
FL13K-16-36	25	1"	16	M36X2	L28	32,0	1,26	3,5	0,14	41,0	1,614	1.5/8"

Nut type

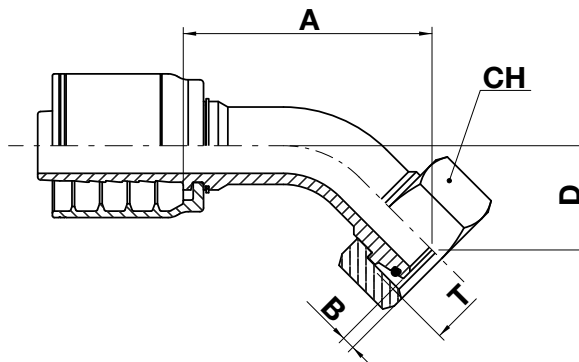


FL43K FL41K FL42K

Metric light female swivel - 45° elbow (24° cone seat)

NO SKIVE

ISO 8434-1 / DIN 3865



FITTING

NPTF-NPSM

JIC

ORFS

SAE

GREASE

JIS

BSP-BSPT

METRIC

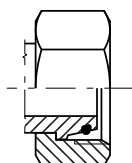
SAE 3000 CODE 61

STAPLE LOCK

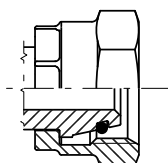
code	ø hose			T	pipe	A		B		D		CH		
	dn	inch	size			mm	in	mm	in	mm	in	mm	in	↗ in
FL41K-04-12	6	1/4"	04	M12X1,5	L6	39,0	1,54	2,6	0,10	14,8	0,58	16,0	0,630	-
FL43K-04-14	6	1/4"	04	M14X1,5	L8	35,2	1,39	1,5	0,06	15,5	0,61	17,0	0,669	11/16"
FL43K-04-16	6	1/4"	04	M16X1,5	L10	36,3	1,43	1,5	0,06	16,6	0,65	19,0	0,748	3/4"
FL43K-04-18	6	1/4"	04	M18X1,5	L12	42,5	1,67	1,5	0,06	18,0	0,71	22,0	0,866	7/8"
FL43K-05-16	8	5/16"	05	M16X1,5	L10	39,0	1,54	1,5	0,06	17,1	0,67	19,0	0,748	3/4"
FL42K-06-16	10	3/8"	06	M16X1,5	L10	44,6	1,76	3,5	0,14	21,7	0,86	19,0	0,748	3/4"
FL43K-06-18	10	3/8"	06	M18X1,5	L12	42,6	1,68	1,5	0,06	19,2	0,76	22,0	0,866	7/8"
FL43K-06-22	10	3/8"	06	M22X1,5	L15	45,0	1,77	2,5	0,10	22,1	0,87	27,0	1,063	1.1/16"
FL43K-08-22	12	1/2"	08	M22X1,5	L15	48,2	1,90	2,5	0,10	20,8	0,82	27,0	1,063	1.1/16"
FL43K-08-26	12	1/2"	08	M26X1,5	L18	69,0	2,72	2,0	0,08	27,2	1,07	32,0	1,260	1,1/4"
FL43K-10-26	16	5/8"	10	M26X1,5	L18	62,5	2,46	2,0	0,08	25,5	1,00	32,0	1,260	1.1/4"
FL43K-12-30	19	3/4"	12	M30X2	L22	67,5	2,66	3,5	0,14	28,3	1,11	36,0	1,417	1.7/16"
FL43K-16-36	25	1"	16	M36X2	L28	85,0	3,35	3,5	0,14	33,1	1,30	41,0	1,614	1.5/8"

Nut type

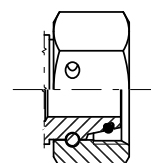
FL43



FL41



FL42

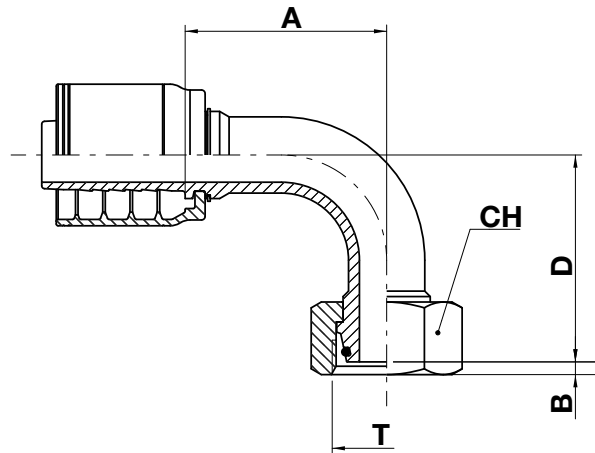


FL93K FL91K FL92K

Metric light female swivel - 90° elbow (24° cone seat)

NO SKIVE

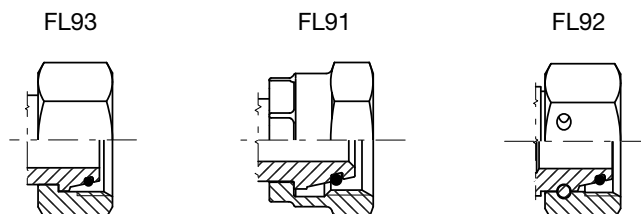
ISO 8434-1 / DIN 3865



- FITTING**
- NPTF-NPSM
 - JIC
 - ORFS
 - SAE
 - GREASE
 - JIS
 - BSP-BSPT
 - METRIC**
 - SAE 3000 CODE 61
 - STAPLE LOCK

code	ø hose			T	pipe	A		B		D		CH		
	dn	inch	size			mm	in	mm	in	mm	in	mm	in	↗ in
FL91K-04-12	6	1/4"	04	M12X1,5	L6	30,7	1,21	2,6	0,10	30,0	1,18	16,0	0,630	-
FL93K-04-14	6	1/4"	04	M14X1,5	L8	28,0	1,10	1,5	0,06	31,0	1,22	17,0	0,669	11/16"
FL93K-04-16	6	1/4"	04	M16X1,5	L10	28,2	1,11	1,5	0,06	32,5	1,28	19,0	0,748	3/4"
FL93K-04-18	6	1/4"	04	M18X1,5	L12	29,5	1,16	1,5	0,06	34,5	1,35	22,0	0,866	7/8"
FL93K-05-16	8	5/16"	05	M16X1,5	L10	30,5	1,20	1,5	0,06	33,0	1,30	19,0	0,748	3/4"
FL93K-05-18	8	5/16"	05	M18X1,5	L12	31,5	1,24	1,5	0,06	36,0	1,42	22,0	0,866	7/8"
FL92K-06-16	10	3/8"	06	M16X1,5	L10	34,0	1,34	3,5	0,14	39,5	1,56	19,0	0,748	3/4"
FL93K-06-18	10	3/8"	06	M18X1,5	L12	30,5	1,20	1,5	0,06	36,0	1,42	22,0	0,866	7/8"
FL93K-06-22	10	3/8"	06	M22X1,5	L15	31,5	1,24	2,5	0,10	40,0	1,57	27,0	1,063	1.1/16"
FL93K-08-22	12	1/2"	08	M22X1,5	L15	38,2	1,50	2,5	0,10	40,0	1,57	27,0	1,063	1.1/16"
FL93K-08-26	12	1/2"	08	M26X1,5	L18	39,0	1,54	2,0	0,08	49,0	1,93	32,0	1,260	1,1/4"
FL93K-10-26	16	5/8"	10	M26X1,5	L18	54,0	2,13	2,0	0,08	53,0	2,09	32,0	1,260	1.1/4"
FL93K-12-30	19	3/4"	12	M30X2	L22	55,5	2,19	3,5	0,14	57,0	2,24	36,0	1,417	1.7/16"
FL93K-16-36	25	1"	16	M36X2	L28	74,0	2,91	3,5	0,14	69,0	2,72	41,0	1,614	1.5/8"

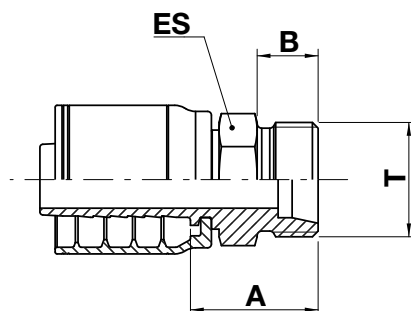
Nut type



MS10K

Metric heavy male (24° cone seat)
NO SKIVE

ISO 8434-1 / DIN 3865


FITTING

NPTF-NPSM

JIC

ORFS

SAE

GREASE

JIS

BSP-BSPT

METRIC

SAE 3000 CODE 61

STAPLE LOCK

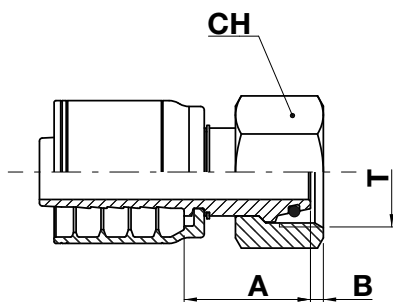
code	ø hose			T	pipe	A		B		ES		
	dn	inch	size			mm	in	mm	in	mm	in	↗ in
MS10K-04-14	6	1/4"	04	M14X1,5	S6	24,5	0,96	12,0	0,47	14,0	0,551	9/16"
MS10K-04-16	6	1/4"	04	M16X1,5	S8	26,0	1,02	12,0	0,47	17,0	0,669	11/16"
MS10K-04-18	6	1/4"	04	M18X1,5	S10	26,0	1,02	12,0	0,47	19,0	0,748	3/4"
MS10K-04-20	6	1/4"	04	M20X1,5	S12	26,0	1,02	12,0	0,47	22,0	0,866	7/8"
MS10K-05-18	8	5/16"	05	M18X1,5	S10	26,0	1,02	12,0	0,47	19,0	0,748	3/4"
MS10K-05-20	8	5/16"	05	M20X1,5	S12	26,0	1,02	12,0	0,47	22,0	0,866	7/8"
MS10K-06-18	10	3/8"	06	M18X1,5	S10	26,0	1,02	12,0	0,47	19,0	0,748	3/4"
MS10K-06-20	10	3/8"	06	M20X1,5	S12	26,0	1,02	12,0	0,47	22,0	0,866	7/8"
MS10K-06-22	10	3/8"	06	M22X1,5	S14	28,0	1,10	14,0	0,55	22,0	0,866	7/8"
MS10K-06-24	10	3/8"	06	M24X1,5	S16	28,0	1,10	14,0	0,55	24,0	0,945	15/16"
MS10K-08-24	12	1/2"	08	M24X1,5	S16	28,5	1,12	14,0	0,55	24,0	0,945	15/16"
MS10K-10-30	16	5/8"	10	M30X2	S20	33,0	1,30	16,0	0,63	30,0	1,181	1.3/16"
MS10K-12-30	19	3/4"	12	M30X2	S20	33,5	1,32	16,0	0,63	30,0	1,181	1.3/16"
MS10K-12-36	19	3/4"	12	M36X2	S25	36,5	1,44	18,0	0,71	36,0	1,417	1.7/16"
MS10K-16-36	25	1"	16	M36X2	S25	38,0	1,50	18,0	0,71	36,0	1,417	1.7/16"
MS10K-16-42	25	1"	16	M42X2	S30	41,0	1,61	20,0	0,79	46,0	1,811	1.13/16"

FS13K FS12K

Metric heavy female swivel (24° cone seat)

NO SKIVE

ISO 8434-1 / DIN 3865



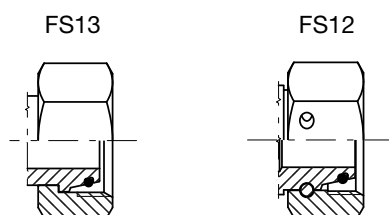
K

FITTING

- NPTF-NPSM
- JIC
- ORFS
- SAE
- GREASE
- JIS
- BSP-BSPT
- METRIC**
- SAE 3000 CODE 61
- STAPLE LOCK

code	ø hose			T	pipe	A		B		CH		
	dn	inch	size			mm	in	mm	in	mm	in	↻ in
FS13K-04-14	6	1/4"	04	M14X1,5	S6	22,0	0,87	2,5	0,10	17,0	0,669	11/16"
FS13K-04-16	6	1/4"	04	M16X1,5	S8	26,5	1,04	2,5	0,10	19,0	0,748	3/4"
FS13K-04-18	6	1/4"	04	M18X1,5	S10	33,5	1,32	2,0	0,08	22,0	0,866	7/8"
FS13K-05-20	8	5/16"	05	M20X1,5	S12	26,5	1,04	2,0	0,08	24,0	0,945	15/16"
FS12K-06-18	10	3/8"	06	M18X1,5	S10	24,0	0,94	2,0	0,08	22,0	0,866	7/8"
FS13K-06-18	10	3/8"	06	M18X1,5	S10	24,0	0,94	2,0	0,08	22,0	0,866	7/8"
FS13K-06-20	10	3/8"	06	M20X1,5	S12	26,5	1,04	2,0	0,08	24,0	0,945	15/16"
FS13K-06-22	10	3/8"	06	M22X1,5	S14	29,5	1,16	4,0	0,16	27,0	1,063	1.1/16"
FS13K-08-24	12	1/2"	08	M24X1,5	S16	33,0	1,30	3,0	0,12	30,0	1,181	1.3/16"
FS13K-10-30	16	5/8"	10	M30X2	S20	34,0	1,34	3,5	0,14	36,0	1,417	1.7/16"
FS13K-12-30	19	3/4"	12	M30X2	S20	34,5	1,36	3,5	0,14	36,0	1,417	1.7/16"
FS13K-12-36	19	3/4"	12	M36X2	S25	39,5	1,56	3,0	0,12	46,0	1,811	1.13/16"
FS13K-16-36	25	1"	16	M36X2	S25	42,0	1,65	3,0	0,12	46,0	1,811	1.13/16"
FS13K-16-42	25	1"	16	M42X2	S30	43,0	1,69	6,0	0,24	50,0	1,969	2"

Nut type

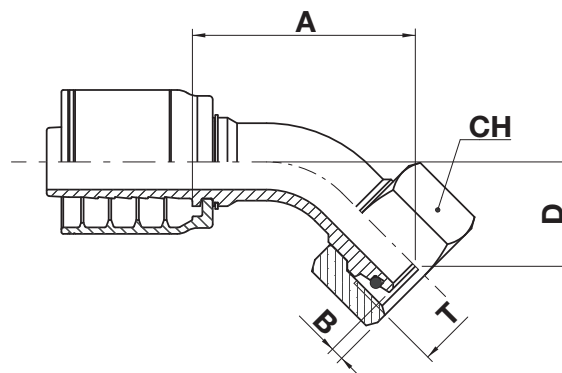


FS43K

Metric heavy female swivel - 45° elbow (24° cone seat)

NO SKIVE

ISO 8434-1 / DIN 3865



FITTING

NPTF-NPSM

JIC

ORFS

SAE

GREASE

JIS

BSP-BSPT

METRIC

SAE 3000 CODE 61

STAPLE LOCK

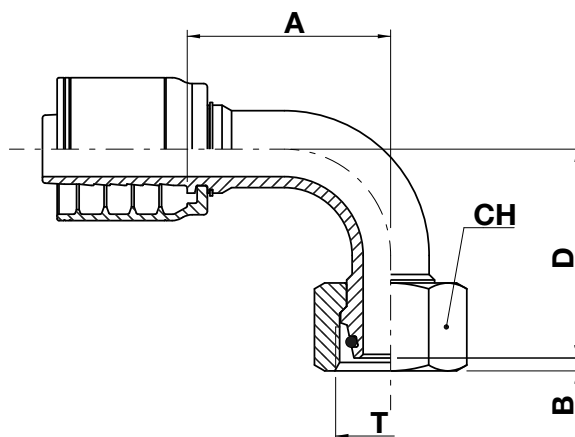
code	ø hose			T	pipe	A		B		D		CH		
	dn	inch	size			mm	in	mm	in	mm	in	mm	in	↻ in
FS43K-04-14	6	1/4"	04	M14X1,5	S6	35,6	1,40	2,5	0,10	16,0	0,63	17,0	0,669	11/16"
FS43K-04-16	6	1/4"	04	M16X1,5	S8	36,3	1,43	2,5	0,10	16,6	0,65	19,0	0,748	3/4"
FS43K-04-18	6	1/4"	04	M18X1,5	S10	37,7	1,48	2,0	0,08	18,0	0,71	22,0	0,866	7/8"
FS43K-05-20	8	5/16"	05	M20X1,5	S12	41,0	1,61	2,0	0,08	19,2	0,76	24,0	0,945	15/16"
FS43K-06-20	10	3/8"	06	M20X1,5	S12	42,0	1,65	2,0	0,08	19,2	0,76	24,0	0,945	15/16"
FS43K-06-22	10	3/8"	06	M22X1,5	S14	45,0	1,77	4,0	0,16	22,0	0,87	27,0	1,063	1.1/16"
FS43K-08-24	12	1/2"	08	M24X1,5	S16	50,0	1,97	3,0	0,12	22,6	0,89	30,0	1,181	1.3/16"
FS43K-10-30	16	5/8"	10	M30X2	S20	64,0	2,52	3,5	0,14	26,9	1,06	36,0	1,417	1.7/16"
FS43K-12-30	19	3/4"	12	M30X2	S20	67,5	2,66	3,5	0,14	28,3	1,11	36,0	1,417	1.7/16"
FS43K-12-36	19	3/4"	12	M36X2	S25	68,9	2,71	3,0	0,12	30,4	1,20	46,0	1,811	1.13/16"
FS43K-16-36	25	1"	16	M36X2	S25	87,0	3,43	3,0	0,12	34,8	1,37	46,0	1,811	1.13/16"
FS43K-16-42	25	1"	16	M42X2	S30	89,0	3,50	6,0	0,24	37,3	1,47	50,0	1,969	2"

FS93K

Metric heavy female swivel - 90° elbow (24° cone seat)

NO SKIVE

ISO 8434-1 / DIN 3865



FITTING

NPTF-NPSM

JIC

ORFS

SAE

GREASE

JIS

BSP-BSPT

METRIC

SAE 3000 CODE 61

STAPLE LOCK

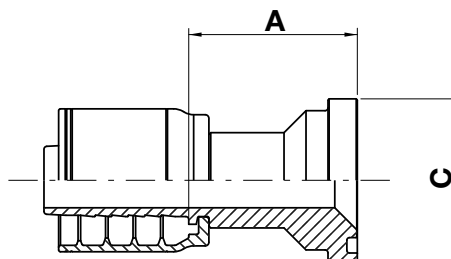
code	ø hose			T	pipe	A		B		D		CH		
	dn	inch	size			mm	in	mm	in	mm	in	mm	in	↻ in
FS93K-04-14	6	1/4"	04	M14X1,5	S6	28,0	1,10	2,5	0,10	31,8	1,25	17,0	0,669	11/16"
FS93K-04-16	6	1/4"	04	M16X1,5	S8	28,2	1,11	2,5	0,10	32,5	1,28	19,0	0,748	3/4"
FS93K-04-18	6	1/4"	04	M18X1,5	S10	28,2	1,11	2,0	0,08	34,5	1,36	22,0	0,866	7/8"
FS93K-05-20	8	5/16"	05	M20X1,5	S12	30,5	1,20	2,0	0,08	36,0	1,42	24,0	0,945	15/16"
FS93K-06-18	10	3/8"	06	M18X1,5	S10	30,5	1,20	2,0	0,08	36,0	1,42	22,0	0,866	7/8"
FS93K-06-20	10	3/8"	06	M20X1,5	S12	30,5	1,20	2,0	0,08	36,0	1,42	24,0	0,945	15/16"
FS93K-06-22	10	3/8"	06	M22X1,5	S14	31,5	1,24	4,0	0,16	41,0	1,61	27,0	1,063	1.1/16"
FS93K-08-24	12	1/2"	08	M24X1,5	S16	38,2	1,50	3,0	0,12	42,5	1,67	30,0	1,181	1.3/16"
FS93K-10-30	16	5/8"	10	M30X2	S20	54,0	2,13	3,5	0,14	55,0	2,17	36,0	1,417	1.7/16"
FS93K-12-30	19	3/4"	12	M30X2	S20	55,5	2,19	3,5	0,14	57,0	2,24	36,0	1,417	1.7/16"
FS93K-12-36	19	3/4"	12	M36X2	S25	55,5	2,19	3,0	0,12	60,0	2,36	46,0	1,811	1.13/16"
FS93K-16-36	25	1"	16	M36X2	S25	74,0	2,91	3,0	0,12	75,0	2,95	46,0	1,811	1.13/16"
FS93K-16-42	25	1"	16	M42X2	S30	74,0	2,91	6,0	0,24	75,0	2,95	50,0	1,969	2"

AX10K

SAE 3000 code 61 straight flange

NO SKIVE

ISO 6162-1 / SAE J518-1

**FITTING**

NPTF-NPSM

JIC

ORFS

SAE

GREASE

JIS

BSP-BSPT

METRIC

SAE 3000 CODE 61

STAPLE LOCK

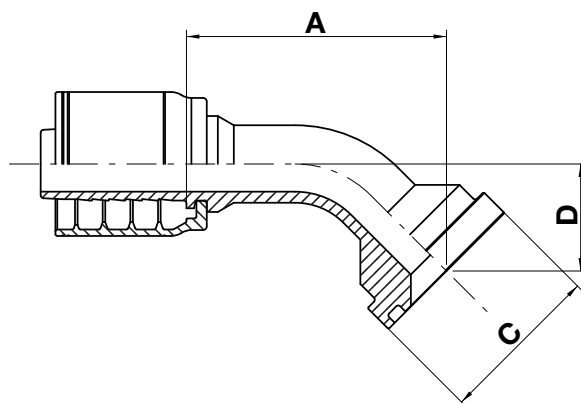
code	ø hose			flange	A		C	
	dn	inch	size		mm	in	mm	in
AX10K-08-08	12	1/2"	08	1/2"	38,0	1,50	30,2	1,19
AX10K-08-12	12	1/2"	08	3/4"	39,0	1,54	38,1	1,50
AX10K-10-12	16	5/8"	10	3/4"	39,0	1,54	38,1	1,50
AX10K-12-12	19	3/4"	12	3/4"	39,5	1,56	38,1	1,50
AX10K-12-16	19	3/4"	12	1"	46,0	1,81	44,5	1,75
AX10K-16-16	25	1"	16	1"	47,6	1,87	44,5	1,75
AX10K-16-20	25	1"	16	1.1/4"	48,5	1,91	50,0	2,00

AX40K

SAE 3000 code 61 - 45° elbow flange

NO SKIVE

ISO 6162-1 / SAE J518-1



FITTING
 NPTF-NPSM
 JIC
 ORFS
 SAE
 GREASE
 JIS
 BSP-BSPT
 METRIC
SAE 3000 CODE 61
 STAPLE LOCK

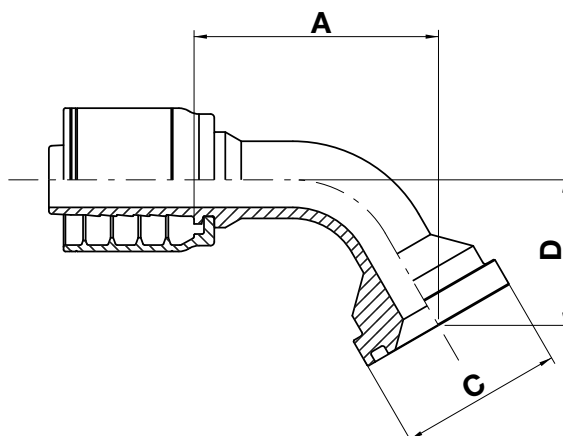
code	ø hose			flange	A		C		D	
	dn	inch	size		mm	in	mm	in	mm	in
AX40K-08-08	12	1/2"	08	1/2"	55,2	2,17	30,2	1,19	21,9	0,86
AX40K-08-12	12	1/2"	08	3/4"	60,1	2,37	38,1	1,50	24,3	0,96
AX40K-10-12	16	5/8"	10	3/4"	66,0	2,60	38,1	1,50	26,9	1,06
AX40K-12-12	19	3/4"	12	3/4"	68,5	2,70	38,1	1,50	27,9	1,10
AX40K-12-16	19	3/4"	12	1"	70,5	2,77	44,5	1,75	29,0	1,14
AX40K-16-16	25	1"	16	1"	74,4	2,93	44,5	1,75	27,0	1,06
AX40K-16-20	25	1"	16	1.1/4"	76,2	3,00	50,8	2,00	29,0	1,14

AX60K

SAE 3000 code 61 - 60° elbow flange

NO SKIVE

ISO 6162-1 / SAE J518-1

**FITTING**

NPTF-NPSM

JIC

ORFS

SAE

GREASE

JIS

BSP-BSPT

METRIC

SAE 3000 CODE 61

STAPLE LOCK

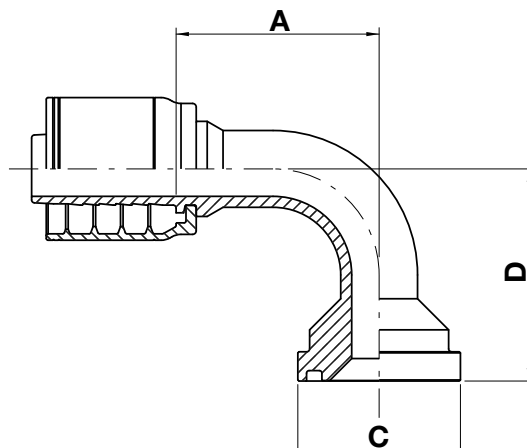
code	ø hose			flange	A		C		D	
	dn	inch	size		mm	in	mm	in	mm	in
AX60K-12-12	19	3/4"	12	3/4"	69,3	2,73	38,1	1,50	38,3	1,51
AX60K-12-16	19	3/4"	12	1"	66,5	2,62	44,5	1,75	39,6	1,56
AX60K-16-16	25	1"	16	1"	78,7	3,10	44,5	1,75	40,0	1,58
AX60K-16-20	25	1"	16	1.1/4"	84,0	3,31	50,8	2,00	40,0	1,57

AX90K

SAE 3000 code 61 - 90° elbow flange

NO SKIVE

ISO 6162-1 / SAE J518-1



FITTING
 NPTF-NPSM
 JIC
 ORFS
 SAE
 GREASE
 JIS
 BSP-BSPT
 METRIC
SAE 3000 CODE 61
 STAPLE LOCK

code	ø hose			flange	A		C		D	
	dn	inch	size		mm	in	mm	in	mm	in
AX90K-08-08	12	1/2"	08	1/2"	46,5	1,83	30,2	1,19	45,0	1,77
AX90K-08-12	12	1/2"	08	3/4"	49,0	1,93	38,1	1,50	49,5	1,95
AX90K-10-12	16	5/8"	10	3/4"	55,5	2,19	38,1	1,50	55,0	2,17
AX90K-12-12	19	3/4"	12	3/4"	55,5	2,19	38,1	1,50	56,5	2,22
AX90K-12-16	19	3/4"	12	1"	55,5	2,19	44,5	1,75	58,0	2,28
AX90K-16-16	25	1"	16	1"	70,0	2,76	44,5	1,75	61,0	2,40
AX90K-16-20	25	1"	16	1.1/4"	69,9	2,75	50,8	2,00	61,0	2,40

ST11K

Staple lock male

NO SKIVE

FITTING

NPTF-NPSM

JIC

ORFS

SAE

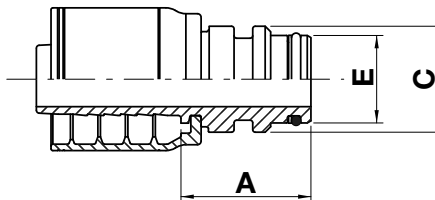
GREASE

JIS

BSP-BSPT

METRIC

SAE 3000 CODE 61

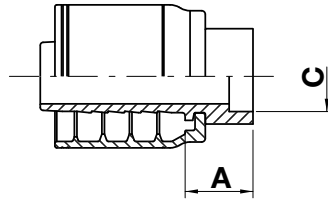
STAPLE LOCK

code	ø hose			A		C		E	
	dn	inch	size	mm	in	mm	in	mm	in
ST11K-04-04	6	1/4"	04	35,5	1,40	14,9	0,59	9,9	0,39
ST11K-04-06	6	1/4"	04	34,5	1,36	19,9	0,78	13,9	0,55
ST11K-06-06	10	3/8"	06	34,5	1,36	19,9	0,79	13,9	0,55
ST11K-08-08	12	1/2"	08	35,0	1,38	23,9	0,94	17,9	0,70
ST11K-10-10	16	5/8"	10	36,0	1,42	25,9	1,02	20,9	0,82
ST11K-12-12	19	3/4"	12	35,5	1,40	28,9	1,14	23,9	0,94
ST11K-16-16	25	1"	16	44,0	1,73	38,8	1,53	30,9	1,22

WO10K

Brazing tail

NO SKIVE



FITTING

- NPTF-NPSM
- JIC
- ORFS
- SAE
- GREASE
- JIS
- BSP-BSPT
- METRIC
- SAE 3000 CODE 61
- STAPLE LOCK

code	ø hose			A		C	
	dn	inch	size	mm	in	mm	in
WO10K-04-04	6	1/4"	04	14,5	0,57	6,5	0,26
WO10K-06-06	10	3/8"	06	16,5	0,65	9,5	0,38
WO10K-08-08	12	1/2"	08	17,0	0,67	12,8	0,51
WO10K-08-10	12	1/2"	08	20,0	0,79	16,0	0,63
WO10K-10-10	16	5/8"	10	17,0	0,67	16,0	0,63
WO10K-12-12	19	3/4"	12	18,5	0,73	19,2	0,76
WO10K-16-16	25	1"	16	23	0,91	25,6	1,01

J

SERIES

**For multispiral and
wire braid hoses
No skive**

 **intertraco**

product	standard	code	description	page
Fitting	NPTF	MN10J	NPTF male (60° cone seat)	105
		MNA10J	NPTF male (60° cone seat) - long nose "API" style version	106
	JIC	MJ10J	JIC 37° male	107
		FJ11J	JIC 37° female swivel	108
		FJ41J	JIC 37° female swivel - 45° elbow	110
		FJ91J	JIC 37° female swivel - 90° elbow	111
		FJ91J-L	JIC 37° female swivel - 90° elbow (long drop)	113
		KJ91J	JIC 37° female swivel - 90° compact elbow	114
		ORFS	OM10J	ORFS male
	OR13J		ORFS female swivel	116
	OR11J		ORFS short female swivel	118
	OR44J		ORFS female swivel - 45° elbow	119
	OR94J		ORFS female swivel - 90° elbow	120
	OR94J-M		ORFS female swivel - 90° elbow (medium drop)	122
	OR94J-L		ORFS female swivel - 90° elbow (long drop)	123
	SAE	ME10J	O-ring boss male	124
	JIS	FT11J	Japanese "T" style termination female swivel 60° cone	125
		FK11J	Japanese "KOM" style termination female swivel 60° cone	126
		AK10J	Japanese "KOM" style termination straight flange (for metric O-ring)	128
		AK40J	Japanese "KOM" style termination - 45° elbow flange (for metric O-ring)	129
		AK90J	Japanese "KOM" style termination - 90° elbow flange (for metric O-ring)	130
		AK13J	Japanese "KOM" style termination straight flange with 2 bolt pre-assembled counterflange (for metric O-ring)	131
		AK43J	Japanese "KOM" style termination - 45° elbow flange with 2 bolt pre-assembled counterflange (for metric O-ring)	132
		AK93J	Japanese "KOM" style termination - 90° elbow flange with 2 bolt pre-assembled counterflange (for metric O-ring)	133
		KC10J	"KOB" style male (24° cone seat)	134
		BSP BSPT	MT10J	BSPT tapered male 60° cone
	MB10J		BSP male 60° cone	136
	FB13J		BSP female swivel 60° cone	137
	FB43J		BSP female swivel 60° cone - 45° elbow	138
	FB93J		BSP female swivel 60° cone - 90° elbow	139
	FB93J_L		BSP female swivel 60° cone - 90° elbow (long drop)	140
	KM91J		BSP female swivel 60° cone - 90° compact elbow	141
FO13J	BSP O-ring female swivel 60° cone		142	

product	standard	code	description	page
Fitting	BSP BSPT	FO43J	BSP O-ring female swivel 60° cone - 45° elbow	143
		FO93J	BSP O-ring female swivel 60° cone - 90° elbow	144
		FP11J	BSP flat face female swivel	145
		BB10J	BSP banjo	146
	METRIC	ML10J	Metric light male (24° cone seat)	147
		FL13J	Metric light female swivel (24° cone seat)	148
		FL43J	Metric light female swivel - 45° elbow (24° cone seat)	149
		FL93J	Metric light female swivel - 90° elbow (24° cone seat)	150
		MS10J	Metric heavy male (24° cone seat)	151
		FS13J	Metric heavy female swivel (24° cone seat)	152
		FS43J	Metric heavy female swivel - 45° elbow (24° cone seat)	153
		FS93J	Metric heavy female swivel - 90° elbow (24° cone seat)	154
		BM10J	Metric banjo	155
	SAE 3000 CODE 61	AX10J	SAE 3000 code 61 straight flange	156
		AX10J-L	SAE 3000 code 61 straight flange (long reach version)	157
		AX20J	SAE 3000 code 61 - 22,5° elbow flange	158
		AX30J	SAE 3000 code 61 - 30° elbow flange	159
		AX40J	SAE 3000 code 61 - 45° elbow flange	160
		AX60J	SAE 3000 code 61 - 60° elbow flange	161
		AX70J	SAE 3000 code 61 - 67,5° elbow flange	162
		AX90J	SAE 3000 code 61 - 90° elbow flange	163
		AX90J-L	SAE 3000 code 61 - 90° elbow flange (long drop)	164
		AX110J	SAE 3000 code 61 - 110° elbow flange	166
		AX135J	SAE 3000 code 61 - 135° elbow flange	167
	SAE 6000 CODE 62	AY10J	SAE 6000 code 62 straight flange	168
		AY30J	SAE 6000 code 62 - 30° elbow flange	169
		AY40J	SAE 6000 code 62 - 45° elbow flange	170
		AY60J	SAE 6000 code 62 - 60° elbow flange	171
		AY90J	SAE 6000 code 62 - 90° elbow flange	172
		AY90J-L	SAE 6000 code 62 - 90° elbow flange (long drop)	173
		AY13J	SAE 6000 code 62 straight flange and captive pre-assembled counterflange	174
		AY43J	SAE 6000 code 62 - 45° elbow flange and captive pre-assembled counterflange	175
		AY93J	SAE 6000 code 62 - 90° elbow flange and captive pre-assembled counterflange	176
	TAPERED SAE FL.	AL13J	Tapered SAE straight flange	177

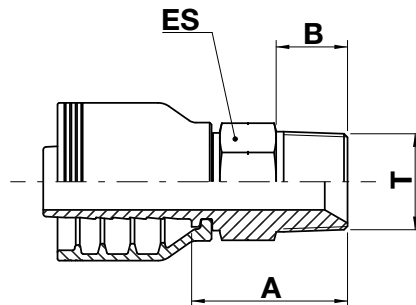
product	standard	code	description	page
Fitting	TAPERED SAE FLANGE	AL43J	Tapered SAE - 45° elbow flange	178
		AL93J	Tapered SAE - 90° elbow flange	179
	"SUPERCAT" STYLE H. P. FLANGE	AY1CJ	"SUPERCAT" style straight flange	180
		AY2CJ	"SUPERCAT" style - 22,5° elbow flange	181
		AY3CJ	"SUPERCAT" style - 30° elbow flange	182
		AY4CJ	"SUPERCAT" style - 45° elbow flange	183
		AY6CJ	"SUPERCAT" style - 60° elbow flange	184
		AY7CJ	"SUPERCAT" style - 67,5° elbow flange	185
		AY9CJ	"SUPERCAT" style - 90° elbow flange	186
	STAPLE LOCK	ST11J	Staple lock male	187
	H. P. STAPLE L.	SS11J	High pressure staple lock male	188
	LOK-IT	NVM11J	Standard pressure Lok-IT male	189
		NVF10J	Standard pressure Lok-IT female	190
		HVM11J	High pressure Lok-IT male	191
		HVF10J	High pressure Lok-IT female	192
	-	WO10J	Brazing tail	193

MN10J

NPTF male (60° cone seat)

NO SKIVE

SAE J514



FITTINGS

NPTF

JIC

ORFS

SAE

JIS

BSP-BSPT

METRIC

SAE 3000 CODE 61

SAE 6000 CODE 62

TAPERED SAE

SUPERCAT STYLE

STAPLE LOCK

H.P. STAPLE LOCK

LOK-IT

code	ø hose			T	A		B		ES		
	dn	inch	size		mm	in	mm	in	mm	in	↻ in
MN10J-06-04	10	3/8"	06	1/4"-18	26,5	1,04	14,0	0,55	17,0	0,669	11/16"
MN10J-06-06	10	3/8"	06	3/8"-18	28,0	1,10	14,0	0,55	19,0	0,748	3/4"
MN10J-06-08	10	3/8"	06	1/2"-14	33,0	1,30	19,0	0,75	22,0	0,866	7/8"
MN10J-08-06	12	1/2"	08	3/8"-18	28,5	1,12	14,0	0,55	19,0	0,748	3/4"
MN10J-08-08	12	1/2"	08	1/2"-14	33,5	1,32	19,0	0,75	22,0	0,866	7/8"
MN10J-08-12	12	1/2"	08	3/4"-14	34,0	1,34	19,0	0,75	27,0	1,063	1.1/16"
MN10J-10-08	16	5/8"	10	1/2"-14	33,5	1,32	19,0	0,75	24,0	0,945	15/16"
MN10J-10-12	16	5/8"	10	3/4"-14	41,0	1,61	19,0	0,75	27,0	1,063	1.1/16"
MN10J-12-12	19	3/4"	12	3/4"-14	41,5	1,63	19,0	0,75	27,0	1,063	1.1/16"
MN10J-12-16	19	3/4"	12	1"-11.1/2	46,5	1,83	24,0	0,94	36,0	1,417	1.7/16"
MN10J-16-12	25	1"	16	3/4"-14	43,0	1,69	19,0	0,75	32,0	1,260	1.1/4"
MN10J-16-16	25	1"	16	1"-11.1/2	48,0	1,89	24,0	0,94	36,0	1,417	1.7/16"
MN10J-16-20	25	1"	16	1.1/4"-11.1/2	60,0	2,36	24,5	0,96	46,0	1,811	1.13/16"
MN10J-20-20	31	1.1/4"	20	1.1/4"-11.1/2	63,0	2,48	24,5	0,96	46,0	1,811	1.13/16"
MN10J-20-24	31	1.1/4"	20	1.1/2"-11.1/2	63,5	2,5	25,5	1,00	50,0	1,969	2"
MN10J-24-24	38	1.1/2"	24	1.1/2"-11.1/2	64,0	2,52	25,5	1,00	50,0	1,969	2"
MN10J-32-32	51	2"	32	2"-11.1/2	79,0	3,11	26,0	1,02	65,0	2,559	2.9/16"

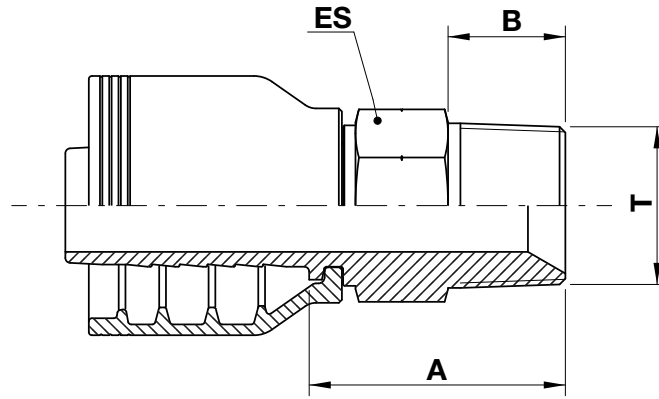
For multispiral and wire braid hoses

J

MNA10J

NPTF male (60° cone seat) - long nose "API" style version

NO SKIVE



FITTINGS

NPTF

- JIC
- ORFS
- SAE
- JIS
- BSP-BSPT
- METRIC
- SAE 3000 CODE 61
- SAE 6000 CODE 62
- TAPERED SAE
- SUPERCAT STYLE
- STAPLE LOCK
- H.P. STAPLE LOCK
- LOK-IT

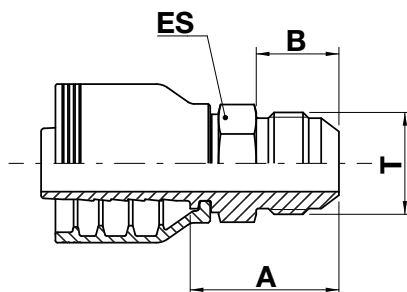
code	ø hose			T	A		B		ES		
	dn	inch	size		mm	in	mm	in	mm	in	↗ in
MNA10J-32-32	51	2"	32	2"-11.1/2	111,0	4,37	51,0	2,01	65,0	2,559	2.9/16"

MJ10J

JIC 37° male

NO SKIVE

ISO 8434-2 / SAE J514



FITTINGS

- NPTF
- JIC**
- ORFS
- SAE
- JIS
- BSP-BSPT
- METRIC
- SAE 3000 CODE 61
- SAE 6000 CODE 62
- TAPERED SAE
- SUPERCAT STYLE
- STAPLE LOCK
- H.P. STAPLE LOCK
- LOK-IT

code	ø hose			T	A		B		ES		
	dn	inch	size		mm	in	mm	in	mm	in	↗ in
MJ10J-06-06	10	3/8"	06	9/16"-18	27,5	1,08	14,1	0,56	17,0	0,669	11/16"
MJ10J-06-08	10	3/8"	06	3/4"-16	30,2	1,19	16,7	0,66	19,0	0,748	3/4"
MJ10J-06-10	10	3/8"	06	7/8"-14	34,8	1,37	19,3	0,76	24,0	0,945	15/16"
MJ10J-08-08	12	1/2"	08	3/4"-16	30,7	1,21	16,7	0,66	19,0	0,748	3/4"
MJ10J-08-10	12	1/2"	08	7/8"-14	35,0	1,38	19,3	0,76	24,0	0,945	15/16"
MJ10J-08-12	12	1/2"	08	1.1/16"-12	39,0	1,54	21,9	0,86	27,0	1,063	1.1/16"
MJ10J-10-08	16	5/8"	10	3/4"-16	33,5	1,32	16,7	0,66	24,0	0,945	15/16"
MJ10J-10-10	16	5/8"	10	7/8"-14	35,0	1,38	19,3	0,76	24,0	0,945	15/16"
MJ10J-10-12	16	5/8"	10	1.1/16"-12	39,0	1,54	21,9	0,86	27,0	1,063	1.1/16"
MJ10J-12-10	19	3/4"	12	7/8"-14	36,5	1,44	19,3	0,76	27,0	1,063	1.1/16"
MJ10J-12-12	19	3/4"	12	1.1/16"-12	39,4	1,55	21,9	0,86	27,0	1,063	1.1/16"
MJ10J-12-14	19	3/4"	12	1.3/16"-12	40,0	1,57	22,6	0,89	32,0	1,260	1.1/4"
MJ10J-12-16	19	3/4"	12	1.5/16"-12	45,5	1,79	23,1	0,91	36,0	1,417	1.7/16"
MJ10J-16-16	25	1"	16	1.5/16"-12	47,1	1,85	23,1	0,91	36,0	1,417	1.7/16"
MJ10J-16-20	25	1"	16	1.5/8"-12	58,5	2,30	24,3	0,96	46,0	1,811	1.13/16"
MJ10J-20-20	31	1.1/4"	20	1.5/8"-12	62,8	2,47	24,3	0,96	46,0	1,811	1.13/16"
MJ10J-24-24	38	1.1/2"	24	1.7/8"-12	66,0	2,60	27,5	1,08	50,0	1,969	2"
MJ10J-32-32	51	2"	32	2.1/2"-12	86,5	3,40	33,9	1,33	65,0	2,559	2.9/16"

For multispiral and wire braid hoses

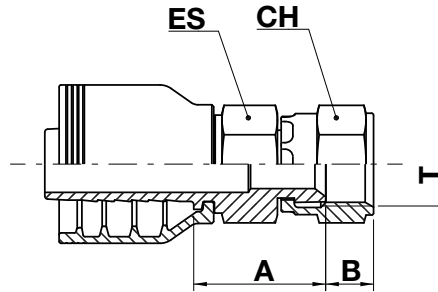
FJ11J FJ16J FJ12J



JIC 37° female swivel

NO SKIVE

ISO 8434-2 / SAE J514



FITTINGS

- NPTF
- JIC**
- ORFS
- SAE
- JIS
- BSP-BSPT
- METRIC
- SAE 3000 CODE 61
- SAE 6000 CODE 62
- TAPERED SAE
- SUPERCAT STYLE
- STAPLE LOCK
- H.P. STAPLE LOCK
- LOK-IT

code	ø hose			T	A		B		ES			CH		
	dn	inch	size		mm	in	mm	in	mm	in	↗ in	mm	in	↗ in
FJ11J-06-06	10	3/8"	06	9/16"-18	24,0	0,94	9,5	0,37	17,0	0,669	11/16"	19,0	0,748	3/4"
FJ16J-06-06	10	3/8"	06	9/16"-18	24,0	0,94	9,5	0,37	17,0	0,669	11/16"	17,46	0,687	11/16"
FJ11J-06-08	10	3/8"	06	3/4"-16	26,0	1,02	10,7	0,42	19,0	0,748	3/4"	22,0	0,866	7/8"
FJ11J-06-10	10	3/8"	06	7/8"-14	28,5	1,12	12,7	0,50	22,0	0,866	7/8"	27,0	1,063	1.1/16"
FJ11J-08-06	12	1/2"	08	9/16"-18	26,5	1,04	9,5	0,37	19,0	0,748	3/4"	19,0	0,748	3/4"
FJ11J-08-08	12	1/2"	08	3/4"-16	26,5	1,04	10,7	0,42	19,0	0,748	3/4"	22,0	0,866	7/8"
FJ11J-08-10	12	1/2"	08	7/8"-14	28,5	1,12	12,7	0,50	22,0	0,866	7/8"	27,0	1,063	1.1/16"
FJ11J-08-12	12	1/2"	08	1.1/16"-12	34,0	1,34	14,3	0,56	27,0	1,063	1.1/16"	32,0	1,260	1.1/4"
FJ11J-10-08	16	5/8"	10	3/4"-16	28,5	1,12	10,7	0,42	22,0	0,866	7/8"	22,0	0,866	7/8"
FJ11J-10-10	16	5/8"	10	7/8"-14	28,5	1,12	12,7	0,50	22,0	0,866	7/8"	27,0	1,060	1.1/16"
FJ11J-10-12	16	5/8"	10	1.1/16"-12	34,0	1,38	14,3	0,56	27,0	1,063	1.1/16"	32,0	1,260	1.1/4"
FJ11J-12-10	19	3/4"	12	7/8"-14	35,0	1,49	12,7	0,50	27,0	1,063	1.1/16"	27,0	1,063	1.1/16"
FJ11J-12-12	19	3/4"	12	1.1/16"-12	34,5	1,36	14,3	0,56	27,0	1,063	1.1/16"	32,0	1,260	1.1/4"
FJ11J-12-14	19	3/4"	12	1.3/16"-12	31,0	1,22	14,5	0,57	36,0	1,181	1.3/16"	36,0	1,417	1.7/16"
FJ11J-12-16	19	3/4"	12	1.5/16"-12	38,5	1,51	15,1	0,59	32,0	1,260	1.1/4"	38,0	1,496	1.1/2"
FJ11J-16-12	25	1"	16	1.1/16"-12	38,0	1,50	14,3	0,56	32,0	1,260	1.1/4"	32,0	1,260	1.1/4"
FJ11J-16-16	25	1"	16	1.5/16"-12	38,0	1,50	15,1	0,59	32,0	1,260	1.1/4"	38,0	1,496	1.1/2"
FJ12J-16-20	25	1"	16	1.5/8"-12	52,6	2,07	16,0	0,63	41,0	1,614	1.5/8"	50,0	1,969	2"
FJ11J-20-16	31	1.1/4"	20	1.5/16"-12	51,5	2,03	16,0	0,63	41,0	1,614	1.5/8"	38,0	1,496	1.1/2"



For multispiral and wire braid hoses

← **FJ11J FJ16J FJ12J**

J

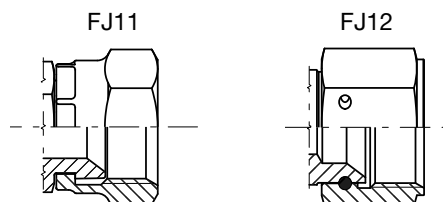
NO SKIVE

code	ø hose			T	A		B		ES			CH		
	dn	inch	size		mm	in	mm	in	mm	in	↗ in	mm	in	↗ in
FJ12J-20-20	31	1.1/4"	20	1.5/8"-12	51,5	2,03	16,0	0,63	41,0	1,614	1.5/8"	50,0	1,969	2"
FJ12J-20-24	31	1.1/4"	20	1.7/8"-12	56,5	2,22	18,5	0,73	50,0	1,969	2"	55,0	2,165	2.3/16"
FJ12J-24-24	38	1.1/2"	24	1.7/8"-12	56,9	2,24	18,5	0,73	50,0	1,969	2"	55,0	2,165	2.3/16"
FJ12J-32-32	51	2"	32	2.1/2"-12	74,0	2,91	24,0	0,94	65,0	2,559	2.9/16"	75,0	2,953	-
FJ12J-40-40	63	2.1/2"	40	3"-12	87,5	3,44	20,0	0,79	75,0	2,953	-	90,0	3,54	-

FITTINGS

- NPTF
- JIC**
- ORFS
- SAE
- JIS
- BSP-BSPT
- METRIC
- SAE 3000 CODE 61
- SAE 6000 CODE 62
- TAPERED SAE
- SUPERCAT STYLE
- STAPLE LOCK
- H.P. STAPLE LOCK
- LOK-IT

Nut type



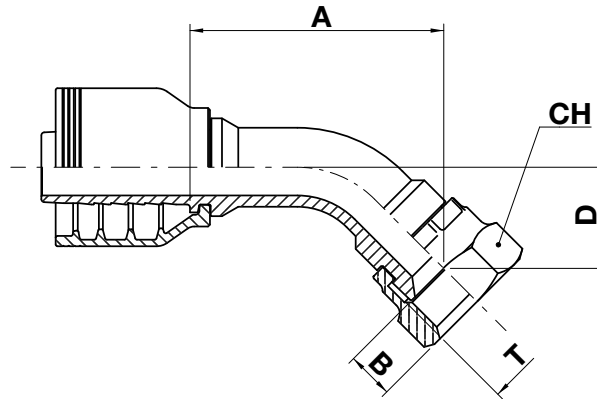
For multispiral and wire braid hoses

FJ41J FJ46J FJ43J FJ42J

JIC 37° female swivel - 45° elbow

NO SKIVE

ISO 8434-2 / SAE J514

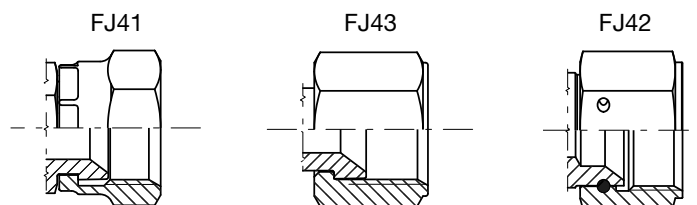


FITTINGS

- NPTF
- JIC**
- ORFS
- SAE
- JIS
- BSP-BSPT
- METRIC
- SAE 3000 CODE 61
- SAE 6000 CODE 62
- TAPERED SAE
- SUPERCAT STYLE
- STAPLE LOCK
- H.P. STAPLE LOCK
- LOK-IT

code	ø hose			T	A		B		D		CH		
	dn	inch	size		mm	in	mm	in	mm	in	mm	in	↻ in
FJ41J-06-06	10	3/8"	06	9/16"-18	33,9	1,33	9,5	0,37	12,1	0,48	19,0	0,748	3/4"
FJ46J-06-06	10	3/8"	06	9/16"-18	33,9	1,33	9,5	0,37	12,1	0,48	17,46	0,687	11/16"
FJ43J-06-08	10	3/8"	06	3/4"-16	42,5	1,67	10,7	0,42	15,0	0,59	22,0	0,866	7/8"
FJ41J-08-08	12	1/2"	08	3/4"-16	40,7	1,60	10,7	0,42	13,8	0,54	22,0	0,866	7/8"
FJ43J-08-10	12	1/2"	08	7/8"-14	44,0	1,73	12,5	0,49	16,0	0,63	27,0	1,063	1.1/16"
FJ41J-10-10	16	5/8"	10	7/8"-14	54,0	2,13	12,7	0,50	16,0	0,63	27,0	1,063	1.1/16"
FJ41J-10-12	16	5/8"	10	1.1/16"-12	60,5	2,38	14,3	0,56	21,0	0,83	32,0	1,260	1.1/4"
FJ41J-12-12	19	3/4"	12	1.1/16"-12	64,5	2,54	14,3	0,56	21,0	0,83	32,0	1,260	1.1/4"
FJ41J-12-16	19	3/4"	12	1.5/16"-12	71,5	2,81	15,1	0,59	31,8	1,25	38,0	1,496	1.1/2"
FJ41J-16-16	25	1"	16	1.5/16"-12	86,0	3,38	15,1	0,59	34,5	1,36	38,0	1,496	1.1/2"
FJ42J-16-20	25	1"	16	1.5/8"-12	92,2	3,63	16,0	0,63	39,2	1,54	50,0	1,969	2"
FJ42J-20-20	31	1.1/4"	20	1.5/8"-12	97,0	3,82	16,0	0,63	37,5	1,48	50,0	1,969	2"
FJ42J-24-24	38	1.1/2"	24	1.7/8"-12	119,0	4,69	18,5	0,73	49,2	1,94	55,0	2,165	2.3/16"
FJ42J-32-32	51	2"	32	2.1/2"-12	152,6	6,01	24,0	0,94	68,8	2,71	75,0	2,953	-

Nut type



For multispiral and wire braid hoses

FJ91J FJ96J FJ93J FJ92J

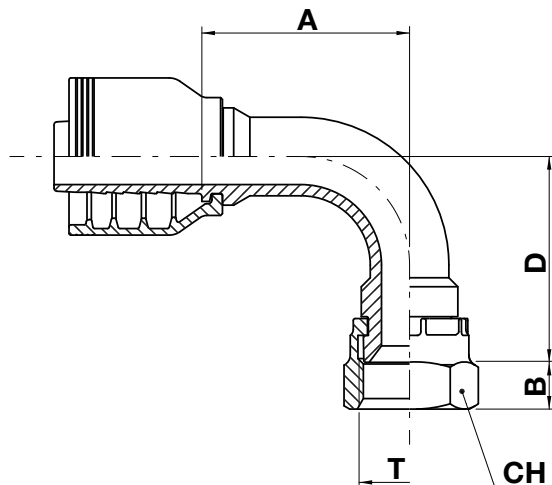


J

JIC 37° female swivel - 90° elbow

NO SKIVE

ISO 8434-2 / SAE J514



FITTINGS

- NPTF
- JIC**
- ORFS
- SAE
- JIS
- BSP-BSPT
- METRIC
- SAE 3000 CODE 61
- SAE 6000 CODE 62
- TAPERED SAE
- SUPERCAT STYLE
- STAPLE LOCK
- H.P. STAPLE LOCK
- LOK-IT

code	ø hose			T	A		B		D		CH		
	dn	inch	size		mm	in	mm	in	mm	in	mm	in	in
FJ91J-06-06	10	3/8"	06	9/16"-18	27,8	1,09	9,5	0,37	23,0	0,91	19,0	0,748	3/4"
FJ96J-06-06	10	3/8"	06	9/16"-18	27,8	1,09	9,5	0,37	23,0	0,91	17,46	0,687	11/16"
FJ93J-06-08	10	3/8"	06	3/4"-16	35,0	1,38	10,7	0,42	30,0	1,18	22,0	0,866	7/8"
FJ91J-08-08	12	1/2"	08	3/4"-16	39,5	1,56	10,7	0,42	30,0	1,18	22,0	0,866	7/8"
FJ93J-08-10	12	1/2"	08	7/8"-14	44,0	1,73	12,5	0,49	32,0	1,26	27,0	1,063	1.1/16"
FJ91J-10-10	16	5/8"	10	7/8"-14	48,5	1,91	12,5	0,49	32,0	1,26	27,0	1,063	1.1/16"
FJ91J-10-12	16	5/8"	10	1.1/16"-12	56,0	2,20	14,3	0,56	48,0	1,89	32,0	1,260	1.1/4"
FJ91J-12-12	19	3/4"	12	1.1/16"-12	61,0	2,41	14,3	0,56	48,0	1,89	32,0	1,260	1.1/4"
FJ91J-12-16	19	3/4"	12	1.5/16"-12	55,5	2,19	15,1	0,61	62,0	2,44	38,0	1,496	1.1/2"
FJ91J-16-16	19	3/4"	12	1.5/16"-12	75,5	2,97	15,1	0,61	71,0	2,80	38,0	1,496	1.1/2"
FJ92J-16-20	25	1"	16	1.5/8"-12	79,5	3,13	16,0	0,63	79,5	3,13	50,0	1,969	2"
FJ92J-20-20	31	1.1/4"	20	1.5/8"-12	87,5	3,44	16,0	0,63	77,0	3,03	50,0	1,969	2"
FJ92J-20-24	31	1.1/4"	20	1.7/8"-12	85,5	3,37	18,5	0,73	88,0	3,46	55,0	2,165	2.3/16"
FJ92J-24-24	38	1.1/2"	24	1.7/8"-12	102,0	4,02	18,5	0,73	100,0	3,94	55,0	2,165	2.3/16"
FJ92J-32-32	51	2"	32	2.1/2"-12	130,5	5,14	24,0	0,94	140,0	5,51	75,0	2,953	-



For multispiral and wire braid hoses

J

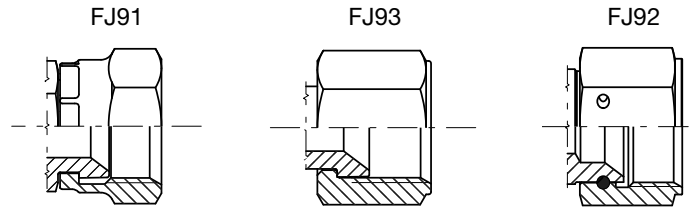
← **FJ91J FJ96J FJ93J FJ92J**

NO SKIVE

FITTINGS

- NPTF
- JIC**
- ORFS
- SAE
- JIS
- BSP-BSPT
- METRIC
- SAE 3000 CODE 61
- SAE 6000 CODE 62
- TAPERED SAE
- SUPERCAT STYLE
- STAPLE LOCK
- H.P. STAPLE LOCK
- LOK-IT

Nut type



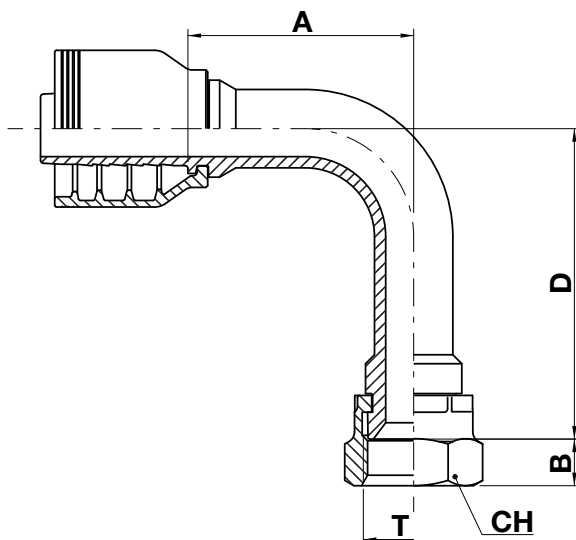
FJ91J-L FJ96J-L FJ93J-L FJ92J-L

J

JIC 37° female swivel - 90° elbow (long drop)

NO SKIVE

ISO 8434-2 / SAE J514

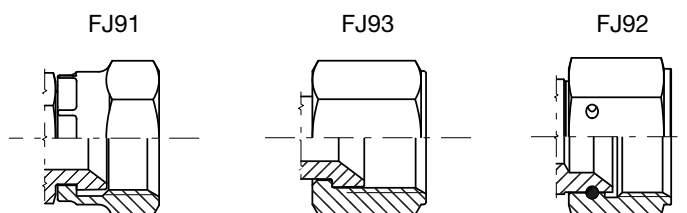


FITTINGS

- NPTF
- JIC**
- ORFS
- SAE
- JIS
- BSP-BSPT
- METRIC
- SAE 3000 CODE 61
- SAE 6000 CODE 62
- TAPERED SAE
- SUPERCAT STYLE
- STAPLE LOCK
- H.P. STAPLE LOCK
- LOK-IT

code	ø hose			T	A		B		D		CH		
	dn	inch	size		mm	in	mm	in	mm	in	mm	in	↻ in
FJ91J-06-06-L	10	3/8"	06	9/16"-18	27,8	1,09	9,5	0,37	56,0	2,20	19,0	0,748	3/4"
FJ96J-06-06-L	10	3/8"	06	9/16"-18	35,5	1,40	9,5	0,37	56,0	2,20	17,46	0,687	11/16"
FJ93J-06-08-L	10	3/8"	06	3/4"-16	35,0	1,38	10,7	0,42	62,0	2,44	22,0	0,866	7/8"
FJ91J-08-08-L	12	1/2"	08	3/4"-16	39,5	1,56	10,7	0,42	62,0	2,44	22,0	0,866	7/8"
FJ91J-10-10-65	16	5/8"	10	7/8"-14	54,0	2,13	12,5	0,49	65,0	2,56	27,0	1,063	1.1/16"
FJ91J-10-10-L	16	5/8"	10	7/8"-14	54,0	2,13	12,5	0,49	70,0	2,76	27,0	1,063	1.1/16"
FJ91J-10-12-L	16	5/8"	10	1.1/16"-12	55,0	2,16	14,3	0,56	96,0	3,78	32,0	1,260	1.1/4"
FJ91J-12-12-L	19	3/4"	12	1.1/16"-12	55,5	2,19	14,3	0,56	96,0	3,78	32,0	1,260	1.1/4"
FJ91J-16-16-110	25	1"	16	1.5/16"-12	75,5	2,97	15,1	0,61	110,0	4,33	38,0	1,496	1.1/2"
FJ91J-16-16-L	25	1"	16	1.5/16"-12	75,5	2,97	15,1	0,61	114,0	4,49	38,0	1,496	1.1/2"
FJ92J-16-20-L	25	1"	16	1.5/8"-12	79,5	3,13	16,0	0,63	129,0	5,07	50,0	1,969	2"
FJ92J-20-20-L	31	1.1/4"	20	1.5/8"-12	87,5	3,44	16,0	0,63	129,0	5,07	50,0	1,969	2"

Nut type



For multispiral and wire braid hoses

J

KJ91J

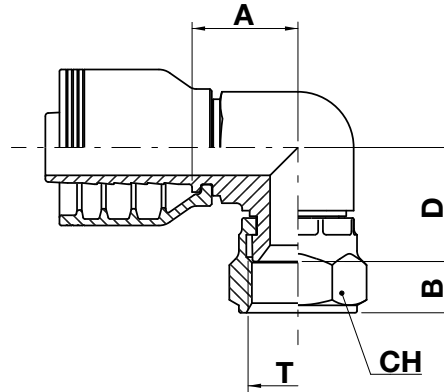
JIC 37° female swivel - 90° compact elbow

NO SKIVE

ISO 8434-2 / SAE J514

FITTINGS

- NPTF
- JIC**
- ORFS
- SAE
- JIS
- BSP-BSPT
- METRIC
- SAE 3000 CODE 61
- SAE 6000 CODE 62
- TAPERED SAE
- SUPERCAT STYLE
- STAPLE LOCK
- H.P. STAPLE LOCK
- LOK-IT



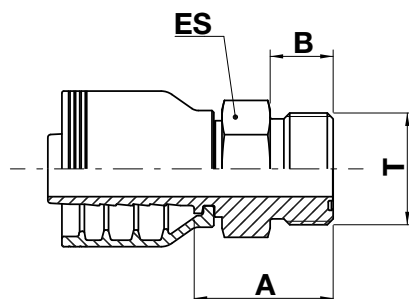
code	ø hose			T	A		B		D		CH		
	dn	inch	size		mm	in	mm	in	mm	in	mm	in	in
KJ91J-06-06	10	3/8"	06	9/16"-18	21,5	0,85	8,5	0,33	23,0	0,91	19,0	0,748	3/4"
KJ91J-06-08	10	3/8"	06	3/4"-16	21,5	0,85	10,5	0,41	24,9	0,98	22,0	0,866	7/8"
KJ91J-08-08	12	1/2"	08	3/4"-16	25,5	1,00	9,5	0,37	26,9	1,06	22,0	0,866	7/8"
KJ91J-08-10	12	1/2"	08	7/8"-14	25,5	1,00	13,0	0,51	28,3	1,11	27,0	1,063	1.1/16"
KJ91J-10-10	16	5/8"	10	7/8"-14	25,5	1,00	13,0	0,51	27,7	1,09	27,0	1,063	1.1/16"
KJ91J-12-12	19	3/4"	12	1.1/16"-12	28,5	1,12	14,3	0,56	30,7	1,21	32,0	1,260	1.1/4"
KJ91J-16-16	25	1"	16	1.5/16"-12	34,0	1,34	14,5	0,57	32,5	1,28	38,0	1,496	1.1/2"

OM10J*

ORFS male

NO SKIVE

ISO 8434-3 / SAE J1453



J

FITTINGS

- NPTF
- JIC
- ORFS**
- SAE
- JIS
- BSP-BSPT
- METRIC
- SAE 3000 CODE 61
- SAE 6000 CODE 62
- TAPERED SAE
- SUPERCAT STYLE
- STAPLE LOCK
- H.P. STAPLE LOCK
- LOK-IT

code	ø hose			T	A		B		ES		
	dn	inch	size		mm	in	mm	in	mm	in	↗ in
OM10J-06-06	10	3/8"	06	11/16"-16	26,5	1,04	11,2	0,44	19,0	0,748	3/4"
OM10J-06-08	10	3/8"	06	13/16"-16	29,0	1,14	13,2	0,52	22,0	0,866	7/8"
OM10J-08-08	12	1/2"	08	13/16"-16	29,5	1,16	13,2	0,52	22,0	0,866	7/8"
OM10J-08-10	12	1/2"	08	1"-14	34,0	1,34	15,7	0,62	27,0	1,063	1.1/16"
OM10J-08-12	12	1/2"	08	1.3/16"-12	37,0	1,46	17,0	0,67	32,0	1,260	1.1/4"
OM10J-10-08	16	5/8"	10	1.3/16"-12	29,5	1,16	13,2	0,52	22,0	0,866	7/8"
OM10J-10-10	16	5/8"	10	1"-14	34,0	1,34	15,7	0,62	27,0	1,063	1.1/16"
OM10J-10-12	16	5/8"	10	1.3/16"-12	37,0	1,46	17,0	0,67	32,0	1,260	1.1/4"
OM10J-12-10	19	3/4"	12	1"-14	34,5	1,36	15,7	0,62	27,0	1,063	1.1/16"
OM10J-12-12	19	3/4"	12	1.3/16"-12	37,5	1,48	17,0	0,67	32,0	1,260	1.1/4"
OM10J-12-16	19	3/4"	12	1.7/16"-12	40,0	1,57	17,5	0,69	41,0	1,614	1.5/8"
OM10J-16-16	25	1"	16	1.7/16"-12	41,5	1,63	17,5	0,69	41,0	1,614	1.5/8"
OM10J-16-20	25	1"	16	1.11/16"-12	41,5	1,63	17,5	0,69	46,0	1,811	1.13/16"
OM10J-20-16	31	1.1/4"	20	1.7/16"-12	43,5	1,71	17,5	0,69	41,0	1,614	1.5/8"
OM10J-20-20	31	1.1/4"	20	1.11/16"-12	43,5	1,71	17,5	0,69	46,0	1,811	1.13/16"
OM10J-24-24	38	1.1/2"	24	2"-12	425	1,67	17,5	0,69	55,0	2,165	2.3/16"

* OM13J complete with O-ring

OR13J OR12J



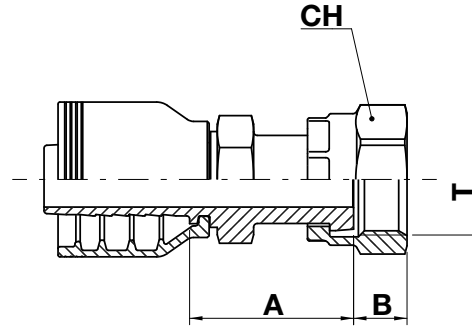
ORFS female swivel

NO SKIVE

ISO 8434-3 / SAE J1453

FITTINGS

- NPTF
- JIC
- ORFS**
- SAE
- JIS
- BSP-BSPT
- METRIC
- SAE 3000 CODE 61
- SAE 6000 CODE 62
- TAPERED SAE
- SUPERCAT STYLE
- STAPLE LOCK
- H.P. STAPLE LOCK
- LOK-IT



code	ø hose			T	A		B		ES			CH		
	dn	inch	size		mm	in	mm	in	mm	in	↻ in	mm	in	↻ in
OR13J-06-06	10	3/8"	06	11/16"-16	32,0	1,26	9,5	0,37	17,0	0,669	11/16"	22,0	0,866	7/8"
OR13J-06-08	10	3/8"	06	13/16"-16	36,5	1,44	11,0	0,43	19,0	0,748	3/4"	24,0	0,945	15/16"
OR13J-08-06	12	1/2"	08	11/16"-16	31,5	1,24	9,5	0,37	19,0	0,748	3/4"	22,0	0,866	7/8"
OR13J-08-08	12	1/2"	08	13/16"-16	35,0	1,38	11,0	0,43	19,0	0,748	3/4"	24,0	0,945	15/16"
OR13J-08-10	12	1/2"	08	1"-14	39,0	1,54	13,5	0,53	24,0	0,945	15/16"	30,0	1,181	1.3/16"
OR13J-08-12	12	1/2"	08	1.3/16"-12	44,0	1,73	14,5	0,57	30,0	1,181	1.3/16"	36,0	1,417	1.7/16"
OR13J-10-10	16	5/8"	10	1"-14	39,0	1,54	13,5	0,53	24,0	0,945	15/16"	30,0	1,181	1.3/16"
OR13J-10-12	16	5/8"	10	1.3/16"-12	44,0	1,73	14,5	0,57	30,0	1,181	1.3/16"	36,0	1,417	1.7/16"
OR13J-12-10	19	3/4"	12	1"-14	42,0	1,65	13,5	0,53	27,0	1,063	1.1/16"	30,0	1,181	1.3/16"
OR13J-12-12	19	3/4"	12	1.3/16"-12	44,6	1,76	14,5	0,57	30,0	1,181	1.3/16"	36,0	1,417	1.7/16"
OR13J-12-16	19	3/4"	12	1.7/16"-12	51,5	2,03	14,8	0,58	36,0	1,417	1.7/16"	41,0	1,614	1.5/8"
OR13J-16-12	25	1"	16	1.3/16"-12	51,0	2,01	14,5	0,57	36,0	1,417	1.7/16"	36,0	1,417	1.7/16"
OR13J-16-16	25	1"	16	1.7/16"-12	52,5	2,07	14,8	0,58	36,0	1,417	1.7/16"	41,0	1,614	1.5/8"
OR12J-16-20	25	1"	16	1.11/16"-12	55,0	2,17	14,8	0,58	41,0	1,614	1.5/8"	50,0	1,969	2"
OR12J-20-20	31	1.1/4"	20	1.11/16"-12	56,0	2,20	14,8	0,58	41,0	1,614	1.5/8"	50,0	1,969	2"
OR12J-20-24	31	1.1/4"	20	2"-12	56,0	2,20	14,8	0,58	50,0	1,969	2"	60,0	2,362	2.3/8"
OR12J-24-24	38	1.1/2"	24	2"-12	60,0	2,36	14,8	0,58	50,0	1,969	2"	60,0	2,362	2.3/8"



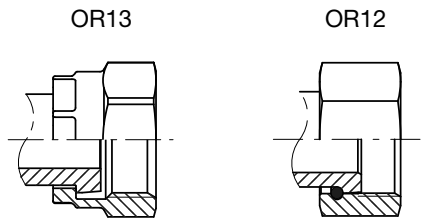
For multispiral and wire braid hoses

← **OR13J OR12J**

J

NO SKIVE

Nut type



FITTINGS

- NPTF
- JIC
- ORFS**
- SAE
- JIS
- BSP-BSPT
- METRIC
- SAE 3000 CODE 61
- SAE 6000 CODE 62
- TAPERED SAE
- SUPERCAT STYLE
- STAPLE LOCK
- H.P. STAPLE LOCK
- LOK-IT



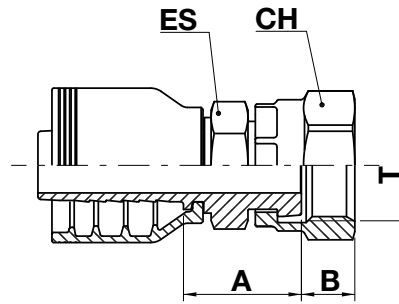
For multispiral and wire braid hoses

OR11J

ORFS short female swivel

NO SKIVE

ISO 8434-3 / SAE J1453



FITTINGS

NPTF
 JIC
ORFS
 SAE
 JIS
 BSP-BSPT
 METRIC
 SAE 3000 CODE 61
 SAE 6000 CODE 62
 TAPERED SAE
 SUPERCAT STYLE
 STAPLE LOCK
 H.P. STAPLE LOCK
 LOK-IT

code	ø hose			T	A		B		ES			CH		
	dn	inch	size		mm	in	mm	in	mm	in	↻ in	mm	in	↻ in
OR11J-06-06	10	3/8"	06	11/16"-16	23,5	0,92	9,5	0,37	17,0	0,669	11/16"	22,0	0,866	7/8"
OR11J-06-08	10	3/8"	06	13/16"-16	27,0	1,06	11,0	0,43	19,0	0,748	3/4"	24,0	0,945	15/16"
OR11J-08-08	12	1/2"	08	13/16"-16	27,5	1,08	11,0	0,43	19,0	0,748	3/4"	24,0	0,945	15/16"
OR11J-08-10	12	1/2"	08	1"-14	29,0	1,14	13,5	0,53	24,0	0,945	15/16"	30,0	1,181	1.3/16"
OR11J-10-10	16	5/8"	10	1"-14	29,0	1,14	13,5	0,53	24,0	0,945	15/16"	30,0	1,181	1.3/16"
OR11J-10-12	16	5/8"	10	1.3/16"-12	31,5	1,24	14,5	0,57	30,0	1,181	1.3/16"	36,0	1,417	1.7/16"
OR11J-12-12	19	3/4"	12	1.3/16"-12	32,0	1,26	14,5	0,57	30,0	1,181	1.3/16"	36,0	1,417	1.7/16"
OR11J-12-16	19	3/4"	12	1.7/16"-12	38,5	1,52	14,8	0,58	36,0	1,417	1.7/16"	41,0	1,614	1.5/8"
OR11J-16-16	25	1"	16	1.7/16"-12	40,0	1,57	14,8	0,58	36,0	1,417	1.7/16"	41,0	1,614	1.5/8"

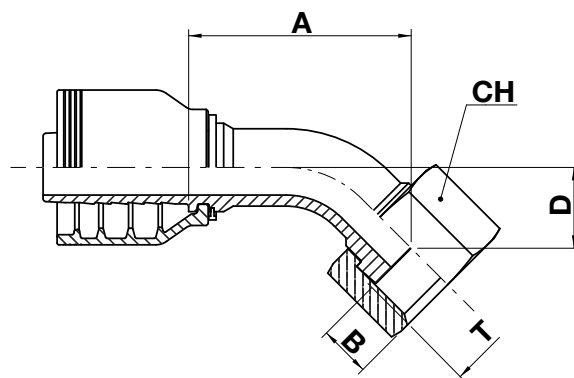
OR44J OR43J OR42J

J

ORFS female swivel - 45° elbow

NO SKIVE

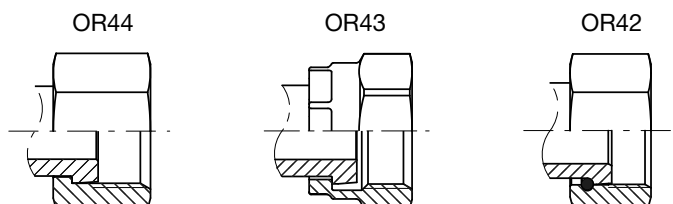
ISO 8434-3 / SAE J1453



- FITTINGS**
- NPTF
 - JIC
 - ORFS**
 - SAE
 - JIS
 - BSP-BSPT
 - METRIC
 - SAE 3000 CODE 61
 - SAE 6000 CODE 62
 - TAPERED SAE
 - SUPERCAT STYLE
 - STAPLE LOCK
 - H.P. STAPLE LOCK
 - LOK-IT

code	ø hose			T	A		B		D		CH		
	dn	inch	size		mm	in	mm	in	mm	in	mm	in	↗ in
OR44J-06-06	10	3/8"	6	11/16"-16	35,5	1,40	9,5	0,37	11,0	0,43	22,0	0,866	7/8"
OR44J-06-08	10	3/8"	6	13/16"-16	38,5	1,51	11,0	0,43	15,0	0,59	24,0	0,945	15/16"
OR43J-08-06	12	1/2"	08	11/16"-16	38,5	1,51	9,5	0,37	11,0	0,43	22,0	0,866	7/8"
OR44J-08-08	12	1/2"	08	13/16"-16	43,0	1,69	11,0	0,43	15,0	0,59	24,0	0,945	15/16"
OR44J-08-10	12	1/2"	08	1"-14	43,5	1,71	13,5	0,53	16,0	0,63	30,0	1,181	1.3/16"
OR43J-08-12	12	1/2"	08	1.3/16"-12	56,5	2,22	14,5	0,57	18,9	0,74	36,0	1,417	1.7/16"
OR44J-10-10	16	5/8"	10	1"-14	48,5	1,91	13,5	0,53	16,0	0,63	30,0	1,181	1.3/16"
OR44J-10-12	16	5/8"	10	1.3/16"-12	60,5	2,38	14,5	0,57	21,0	0,83	36,0	1,417	1.7/16"
OR43J-12-10	19	3/4"	12	1"-14	67,5	2,65	13,5	0,53	15,0	0,59	30,0	1,181	1.3/16"
OR44J-12-12	19	3/4"	12	1.3/16"-12	62,0	2,44	14,5	0,57	21,0	0,83	36,0	1,417	1.7/16"
OR44J-12-16	19	3/4"	12	1.7/16"-12	63,0	2,48	14,8	0,58	24,0	0,94	41,0	1,614	1.5/8"
OR44J-16-16	25	1"	16	1.7/16"-12	73,0	2,87	14,8	0,58	24,0	0,94	41,0	1,614	1.5/8"
OR42J16-20	25	1"	16	1.11/16"-12	91,5	3,60	14,8	0,58	37,0	1,45	50,0	1,969	2"
OR42J-20-20	31	1.1/4"	20	1.11/16"-12	97,0	3,82	14,8	0,58	37,0	1,45	50,0	1,969	2"
OR42J-24-24	38	1.1/2"	24	2"-12	120,5	4,74	14,8	0,58	44,0	1,73	60,0	2,362	2.3/8"

Nut type



For multispiral and wire braid hoses

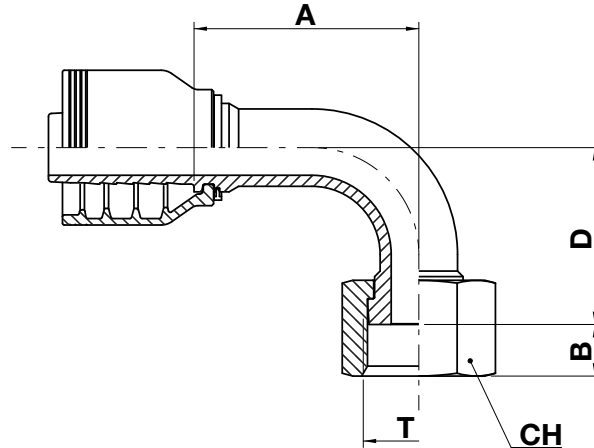
OR94J OR93J OR92J



ORFS female swivel - 90° elbow

NO SKIVE

ISO 8434-3 / SAE J1453



FITTINGS

- NPTF
- JIC
- ORFS**
- SAE
- JIS
- BSP-BSPT
- METRIC
- SAE 3000 CODE 61
- SAE 6000 CODE 62
- TAPERED SAE
- SUPERCAT STYLE
- STAPLE LOCK
- H.P. STAPLE LOCK
- LOK-IT

code	ø hose			T	A		B		D		CH		
	dn	inch	size		mm	in	mm	in	mm	in	mm	in	↻ in
OR94J-06-06	10	3/8"	06	11/16"-16	31,5	1,24	9,5	0,37	24,0	0,94	22,0	0,866	7/8"
OR94J-06-08	10	3/8"	06	13/16"-16	31,5	1,24	11,0	0,43	30,0	1,18	24,0	0,945	15/16"
OR93J-08-06	12	1/2"	08	11/16"-16	37,0	1,46	11,0	0,43	23,0	0,91	22,0	0,866	7/8"
OR94J-08-08	12	1/2"	08	13/16"-16	44,5	1,75	11,0	0,43	29,0	1,14	24,0	0,945	15/16"
OR94J-08-10	12	1/2"	08	1"-14	37,5	1,48	13,5	0,53	33,0	1,30	30,0	1,181	1.3/16"
OR94J-08-12	12	1/2"	08	1.3/16"-12	42,5	1,67	14,5	0,57	48,0	1,61	36,0	1,417	1.7/16"
OR93J-10-08	16	5/8"	10	13/16"-16	42,5	1,67	11,0	0,43	29,0	1,14	24,0	0,945	15/16"
OR94J-10-10	16	5/8"	10	1"-14	46,5	1,83	13,5	0,53	32,0	1,26	30,0	1,181	1.3/16"
OR94J-10-12	16	5/8"	10	1.3/16"-12	53,5	2,11	14,5	0,57	48,0	1,89	36,0	1,417	1.7/16"
OR93J-12-10	19	3/4"	12	1"-14	50,5	2,00	13,5	0,53	32,0	1,26	30,0	1,181	1.3/16"
OR94J-12-12	19	3/4"	12	1.3/16"-12	61,0	2,40	14,5	0,57	48,0	1,89	36,0	1,417	1.7/16"
OR94J-12-16	19	3/4"	12	1.7/16"-12	57,0	2,24	13,8	0,54	56,0	2,20	41,0	1,614	1.5/8"
OR93J-16-12	25	1"	16	1.3/16"-12	63,0	2,48	14,5	0,57	48,0	1,89	36,0	1,417	1.7/16"
OR94J-16-16	25	1"	16	1.7/16"-12	71,0	2,80	13,8	0,54	56,0	2,20	41,0	1,614	1.5/8"
OR93J-20-16	31	1.1/4"	20	1.7/16"-12	79,0	3,11	14,5	0,57	56,0	2,16	41,0	1,614	1.5/8"
OR92J-20-20	31	1.1/4"	20	1.11/16"-12	82,0	3,22	14,8	0,58	66,0	2,60	50,0	1,969	2"
OR92J-24-24	38	1.1/2"	24	2"-12	105,0	4,13	14,8	0,58	94,0	3,70	60,0	2,362	2.3/8"

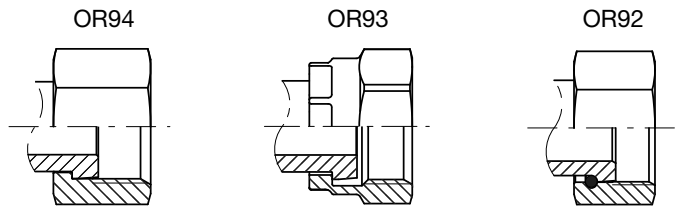


For multispiral and wire braid hoses

← **OR94J OR93J OR92J**

J

Nut type



FITTINGS

- NPTF
- JIC
- ORFS**
- SAE
- JIS
- BSP-BSPT
- METRIC
- SAE 3000 CODE 61
- SAE 6000 CODE 62
- TAPERED SAE
- SUPERCAT STYLE
- STAPLE LOCK
- H.P. STAPLE LOCK
- LOK-IT



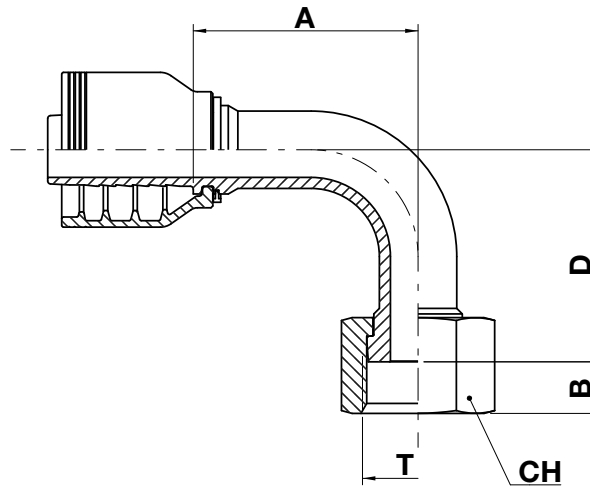
For multispiral and wire braid hoses

OR94J-M OR92J-M

ORFS female swivel - 90° elbow (medium drop)

NO SKIVE

ISO 8434-3 / SAE J1453

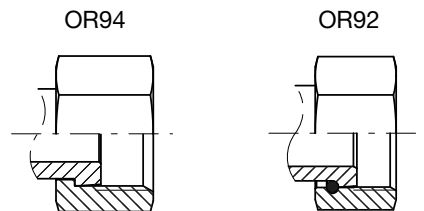


FITTINGS

- NPTF
- JIC
- ORFS**
- SAE
- JIS
- BSP-BSPT
- METRIC
- SAE 3000 CODE 61
- SAE 6000 CODE 62
- TAPERED SAE
- SUPERCAT STYLE
- STAPLE LOCK
- H.P. STAPLE LOCK
- LOK-IT

code	ø hose			T	A		B		D		CH		
	dn	inch	size		mm	in	mm	in	mm	in	mm	in	↻ in
OR94J-06-06-M	10	3/8"	06	11/16"-16	31,5	1,24	9,5	0,37	38,0	1,50	22,0	0,866	7/8"
OR94J-06-08-M	10	3/8"	06	13/16"-16	34,0	1,34	11,0	0,43	41,0	1,61	24,0	0,945	15/16"
OR94J-08-08-M	12	1/2"	08	13/16"-16	40,0	1,57	11,0	0,43	41,0	1,61	24,0	0,945	15/16"
OR94J-10-10-M	16	5/8"	10	1"-14	53,5	2,10	13,5	0,53	47,0	1,85	30,0	1,181	1.3/16"
OR94J-12-12-M	19	3/4"	12	1.3/16"-12	61,0	2,40	14,5	0,57	58,0	2,28	36,0	1,417	1.7/16"
OR94J-16-16-M	25	1"	16	1.7/16"-12	74,0	2,91	13,8	0,54	71,0	2,79	41,0	1,614	1.5/8"
OR92J-20-20-M	31	1.1/2"	20	1.11/16"-12	85,5	3,36	14,8	0,58	78,0	3,07	50,0	1,969	2"

Nut type



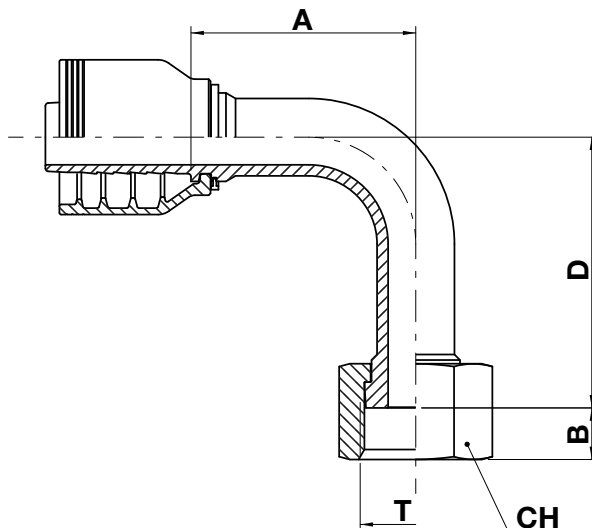
OR94J-L OR92J-L

J

ORFS female swivel - 90° elbow (long drop)

NO SKIVE

ISO 8434-3 / SAE J1453

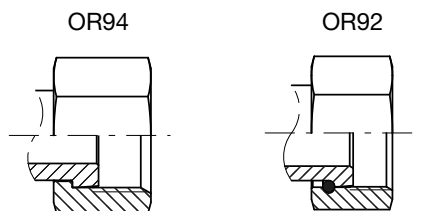


FITTINGS

- NPTF
- JIC
- ORFS**
- SAE
- JIS
- BSP-BSPT
- METRIC
- SAE 3000 CODE 61
- SAE 6000 CODE 62
- TAPERED SAE
- SUPERCAT STYLE
- STAPLE LOCK
- H.P. STAPLE LOCK
- LOK-IT

code	ø hose			T	A		B		D		CH		
	dn	inch	size		mm	in	mm	in	mm	in	mm	in	↻ in
OR94J-06-06-L	10	3/8"	06	11/16"-16	31,5	1,24	9,5	0,37	54,0	2,12	22,0	0,866	7/8"
OR94J-06-08-L	10	3/8"	06	13/16"-16	31,5	1,24	11,0	0,43	64,0	2,52	24,0	0,945	15/16"
OR94J-08-08-L	12	1/2"	08	13/16"-16	40,0	1,57	11,0	0,43	64,0	2,52	24,0	0,945	15/16"
OR94J-10-10-L	16	5/8"	10	1"-14	53,5	2,10	13,5	0,53	70,0	2,75	30,0	1,181	1.3/16"
OR94J-12-12-L	19	3/4"	12	1.3/16"-12	61,0	2,40	14,5	0,57	96,0	3,78	36,0	1,417	1.7/16"
OR94J-16-16-L	25	1"	16	1.7/16"-12	70,3	2,77	13,8	0,54	114,0	4,49	41,0	1,614	1.5/8"
OR92J-20-20-L	31	1.1/2"	20	1.11/16"-12	85,5	3,36	14,8	0,58	129,0	5,08	50,0	1,969	2"

Nut type



For multispiral and wire braid hoses

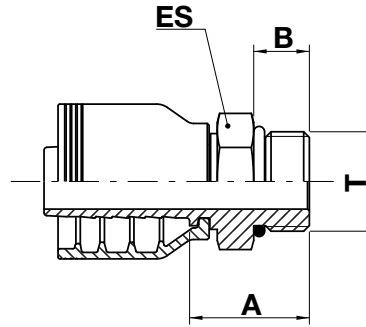
J

ME10J*

O-ring boss male

NO SKIVE

SAE J1926



FITTINGS

- NPTF
- JIC
- ORFS
- SAE**
- JIS
- BSP-BSPT
- METRIC
- SAE 3000 CODE 61
- SAE 6000 CODE 62
- TAPERED SAE
- SUPERCAT STYLE
- STAPLE LOCK
- H.P. STAPLE LOCK
- LOK-IT

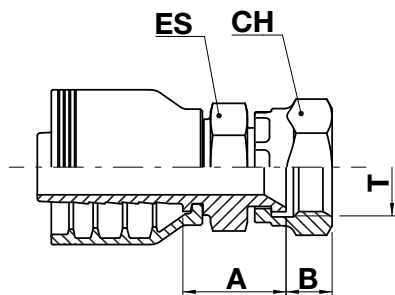
code	ø hose			T	A		B		ES		
	dn	inch	size		mm	in	mm	in	mm	in	in
ME10J-06-06	10	3/8"	06	9/16"-18	24,5	0,96	9,95	0,39	17,0	0,669	11/16"
ME10J-06-08	10	3/8"	06	3/4"-16	26,5	1,04	11,1	0,44	22,0	0,866	7/8"
ME10J-08-08	12	1/2"	08	3/4"-16	27,0	1,06	11,1	0,44	22,0	0,866	7/8"
ME10J-10-10	16	5/8"	10	7/8"-14	29,0	1,14	12,7	0,50	27,0	1,063	1.1/16"
ME10J-10-12	16	5/8"	10	1.1/16"-12	32,0	1,26	15,0	0,59	32,0	1,260	1.1/4"
ME10J-12-12	19	3/4"	12	1.1/16"-12	32,5	1,28	15,1	0,59	32,0	1,260	1.1/4"
ME10J-16-16	25	1"	16	1.5/16"-12	39,1	1,54	15,1	0,59	38,0	1,496	1.1/2"

* Complete with O-ring

FT11J

Japanese "T" style termination female swivel 60° cone

NO SKIVE



J

FITTINGS

- NPTF
- JIC
- ORFS
- SAE
- JIS**
- BSP-BSPT
- METRIC
- SAE 3000 CODE 61
- SAE 6000 CODE 62
- TAPERED SAE
- SUPERCAT STYLE
- STAPLE LOCK
- H.P. STAPLE LOCK
- LOK-IT

code	ø hose			T	A		B		ES			CH		
	dn	inch	size		mm	in	mm	in	mm	in	↗ in	mm	in	↗ in
FT11J-06-06	10	3/8"	06	3/8"-19	22,0	0,87	9,5	0,37	19,0	0,748	3/4"	22,0	0,866	7/8"
FT11J-08-08	12	1/2"	08	1/2"-14	25,8	1,02	11,0	0,43	22,0	0,866	7/8"	27,0	1,063	1.1/16"
FT11J-12-12	19	3/4"	12	3/4"-14	29,5	1,16	12,5	0,49	30,0	1,181	1.3/16"	32,0	1,260	1.1/4"
FT11J-16-16	25	1"	16	1"-11	33,0	1,30	14,0	0,55	32,0	1,260	1.1/4"	38,0	1,496	1.1/2"

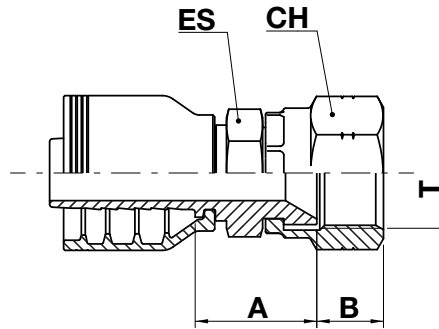


Japanese "KOM" style termination female swivel 60° cone

NO SKIVE

FITTINGS

- NPTF
- JIC
- ORFS
- SAE
- JIS**
- BSP-BSPT
- METRIC
- SAE 3000 CODE 61
- SAE 6000 CODE 62
- TAPERED SAE
- SUPERCAT STYLE
- STAPLE LOCK
- H.P. STAPLE LOCK
- LOK-IT



code	ø hose			T	A		B		ES			CH		
	dn	inch	size		mm	in	mm	in	mm	in	↗ in	mm	in	↗ in
FK11J-06-14	10	3/8"	06	M14X1,5	25,0	0,98	10,0	0,39	19,0	0,748	3/4"	19,0	0,748	3/4"
FK11J-06-16	10	3/8"	06	M16X1,5	23,0	0,91	9,3	0,37	19,0	0,748	3/4"	22,0	0,866	7/8"
FK11J-06-18	10	3/8"	06	M18X1,5	24,0	0,94	11,5	0,45	19,0	0,748	3/4"	24,0	0,945	15/16"
FK11J-06-20	10	3/8"	06	M20X1,5	25,5	1,00	11,2	0,44	19,0	0,748	3/4"	27,0	1,063	1.1/16"
FK11J-06-22	10	3/8"	06	M22X1,5	25,5	1,00	14,0	0,55	19,0	0,748	3/4"	27,0	1,063	1.1/16"
FK11J-08-22	12	1/2"	08	M22X1,5	27,0	1,06	14,0	0,55	22,0	0,866	7/8"	27,0	1,063	1.1/16"
FK11J-08-24	12	1/2"	08	M24X1,5	30,2	1,19	15,1	0,59	24,0	0,945	15/16"	32,0	1,260	1.1/4"
FK11J-10-24	16	5/8"	10	M24X1,5	28,5	1,12	15,1	0,59	24,0	0,945	15/16"	32,0	1,260	1.1/4"
FK11J-12-24	19	3/4"	12	M24X1,5	31,0	1,22	15,1	0,59	27,0	1,063	1.1/16"	32,0	1,260	1.1/4"
FK11J-12-30	19	3/4"	12	M30X1,5	33,0	1,29	18,3	0,72	30,0	1,181	1.3/16"	36,0	1,417	1.7/16"
FK11J-12-33	19	3/4"	12	M33X1,5	33,7	1,33	21,3	0,84	32,0	1,260	1.1/4"	41,0	1,614	1.5/8"
FK11J-12-36	19	3/4"	12	M36X1,5	34,7	1,37	20,0	0,79	41,0	1,614	1.5/8"	46,0	1,811	1.13/16"
FK11J-16-33	25	1"	16	M33X1,5	34,7	1,37	21,3	0,84	32,0	1,260	1.1/4"	41,0	1,614	1.5/8"
FK11J-16-36	25	1"	16	M36X1,5	36,0	1,42	16,0	0,63	41,0	1,614	1.5/8"	46,0	1,811	1.13/16"
FK11J-20-36	31	1.1/4"	20	M36X1,5	40,0	1,57	20,0	0,79	41,0	1,614	1.5/8"	46,0	1,811	1.13/16"
FK12J-20-42	31	1.1/4"	20	M42X1,5	47,0	1,85	18,8	0,74	50,0	1,969	2"	55,0	2,165	2.3/16"
FK12J-24-42	38	1.1/2"	24	M42X1,5	44,0	1,73	18,8	0,74	50,0	1,969	2"	55,0	2,165	2.3/16"

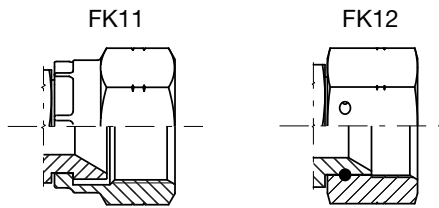


For multispiral and wire braid hoses

← **FK11J FK12J**

J

Nut type



FITTINGS

- NPTF
- JIC
- ORFS
- SAE
- JIS**
- BSP-BSPT
- METRIC
- SAE 3000 CODE 61
- SAE 6000 CODE 62
- TAPERED SAE
- SUPERCAT STYLE
- STAPLE LOCK
- H.P. STAPLE LOCK
- LOK-IT



For multispiral and wire braid hoses

J

AK10J

Japanese “KOM” style termination straight flange
(for metric O-ring)

NO SKIVE

FITTINGS

NPTF

JIC

ORFS

SAE

JIS

BSP-BSPT

METRIC

SAE 3000 CODE 61

SAE 6000 CODE 62

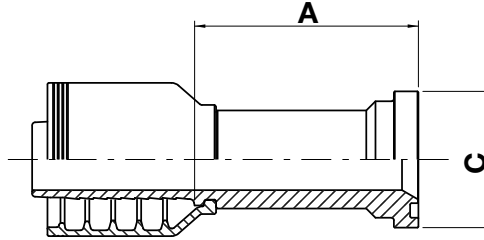
TAPERED SAE

SUPERCAT STYLE

STAPLE LOCK

H.P. STAPLE LOCK

LOK-IT

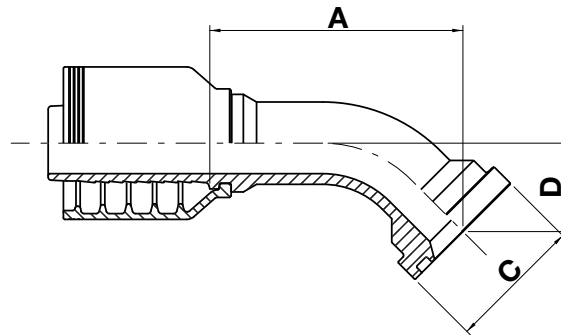


code	ø hose			flange	A		C	
	dn	inch	size		mm	in	mm	in
AK10J-10-10	16	5/8"	10	5/8"	65,0	2,56	34,2	1,35
AK10J-12-12	19	3/4"	12	3/4"	70,5	2,78	38,0	1,50
AK10J-12-16	19	3/4"	12	1"	72,5	2,86	44,5	1,75
AK10J-16-16	25	1"	16	1"	73,0	2,87	44,5	1,75
AK10J-16-20	25	1"	16	1.1/4"	80,0	3,15	50,8	2,00
AK10J-20-20	31	1.1/4"	20	1.1/4"	83,0	3,27	50,8	2,00
AK10J-24-24	38	1.1/2"	24	1.1/2"	91,0	3,58	60,3	2,37
AK10J-32-32	51	2"	32	2"	125,0	4,92	71,4	2,81

AK40J

Japanese "KOM" style termination - 45° elbow flange
(for metric O-ring)

NO SKIVE



J

FITTINGS

- NPTF
- JIC
- ORFS
- SAE
- JIS**
- BSP-BSPT
- METRIC
- SAE 3000 CODE 61
- SAE 6000 CODE 62
- TAPERED SAE
- SUPERCAT STYLE
- STAPLE LOCK
- H.P. STAPLE LOCK
- LOK-IT

code	ø hose			flange	A		C		D	
	dn	inch	size		mm	in	mm	in	mm	in
AK40J-10-10	16	5/8"	10	5/8"	66,5	2,61	34,2	1,35	25,0	0,98
AK40J-12-12	19	3/4"	12	3/4"	69,0	2,72	38,0	1,50	27,0	1,06
AK40J-12-16	19	3/4"	12	1"	71,5	2,81	44,5	1,75	32,0	1,26
AK40J-16-16	25	1"	16	1"	83,0	3,27	44,4	1,75	29,0	1,14
AK40J-16-20	25	1"	16	1.1/4"	86,0	3,38	50,8	2,00	31,0	1,22
AK40J-20-20	31	1.1/4"	20	1.1/4"	89,0	3,50	50,8	2,00	31,0	1,22
AK40J-24-24	38	1.1/2"	24	1.1/2"	105,0	4,13	60,3	2,37	39,4	1,55
AK40J-32-32	51	2"	32	2"	164,0	6,46	71,4	2,81	52,5	2,07

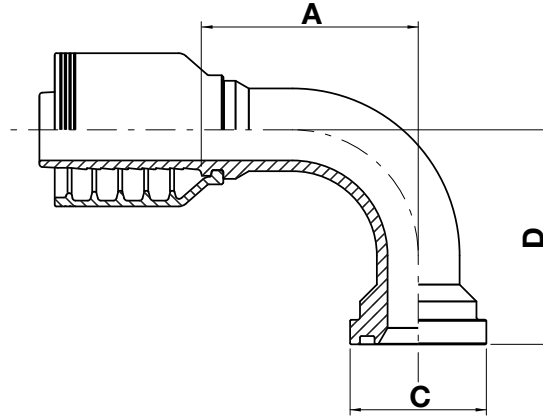
For multispiral and wire braid hoses

J

AK90J

Japanese “KOM” style termination - 90° elbow flange
(for metric O-ring)

NO SKIVE



FITTINGS

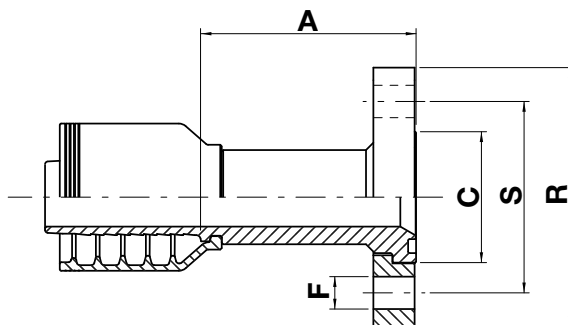
- NPTF
- JIC
- ORFS
- SAE
- JIS**
- BSP-BSPT
- METRIC
- SAE 3000 CODE 61
- SAE 6000 CODE 62
- TAPERED SAE
- SUPERCAT STYLE
- STAPLE LOCK
- H.P. STAPLE LOCK
- LOK-IT

code	ø hose			flange	A		C		D	
	dn	inch	size		mm	in	mm	in	mm	in
AK90J-10-10	16	5/8"	10	5/8"	60,5	2,38	34,2	1,35	55,0	2,17
AK90J-12-12	19	3/4"	12	3/4"	62,5	2,46	38,0	1,50	56,5	2,22
AK90J-12-16	19	3/4"	12	1"	76,5	3,01	44,5	1,75	61,0	2,40
AK90J-16-16	25	1"	16	1"	70,6	2,78	44,4	1,75	70,0	2,76
AK90J-20-20	31	1.1/4"	20	1.1/4"	102,9	4,05	50,8	2,00	80,0	3,15
AK90J-24-24	38	1.1/2"	24	1.1/2"	118,0	4,65	60,3	2,37	110,0	4,33
AK90J-32-32	51	2"	32	2"	154,0	6,06	71,4	2,81	140,0	5,51

AK13J

Japanese “KOM” style termination straight flange with 2 bolt pre-assembled counterflange (for metric O-ring)

NO SKIVE



J

FITTINGS

- NPTF
- JIC
- ORFS
- SAE
- JIS**
- BSP-BSPT
- METRIC
- SAE 3000 CODE 61
- SAE 6000 CODE 62
- TAPERED SAE
- SUPERCAT STYLE
- STAPLE LOCK
- H.P. STAPLE LOCK
- LOK-IT

code	ø hose			flange	A		C		R		S		F	
	dn	inch	size		mm	in	mm	in	mm	in	mm	in	mm	in
AK13J-16-16	25	1"	16	1"	73,0	2,87	44,5	1,75	88,0	3,46	65,0	2,56	11,0	0,43
AK13J-20-20	31	1.1/4"	20	1.1/4"	83,0	3,27	50,8	2,00	102,0	4,02	75,0	2,95	13,5	0,53
AK13J-24-24	38	1.1/2"	24	1.1/2"	91,0	3,58	60,3	2,37	111,0	4,37	85,0	3,35	13,5	0,53

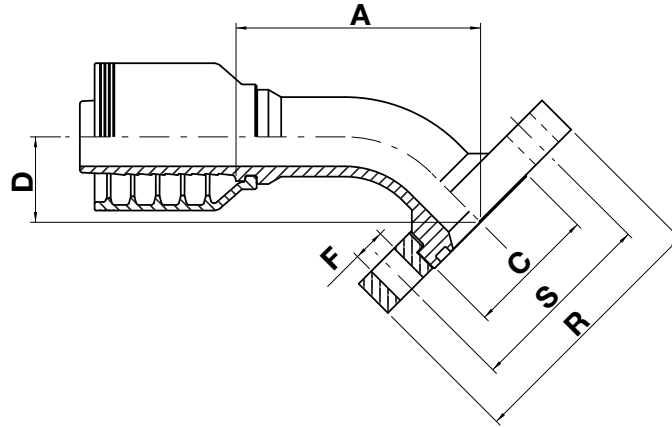
For multispiral and wire braid hoses

J

AK43J

Japanese “KOM” style termination - 45° elbow flange with 2 bolt pre-assembled counterflange (for metric O-ring)

NO SKIVE



FITTINGS

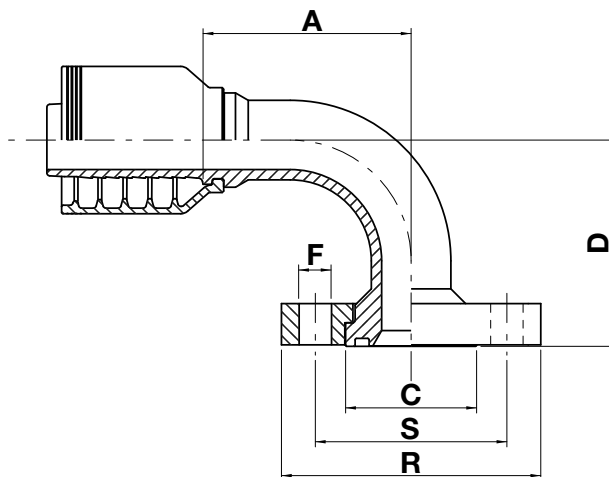
- NPTF
- JIC
- ORFS
- SAE
- JIS**
- BSP-BSPT
- METRIC
- SAE 3000 CODE 61
- SAE 6000 CODE 62
- TAPERED SAE
- SUPERCAT STYLE
- STAPLE LOCK
- H.P. STAPLE LOCK
- LOK-IT

code	ø hose			flange	A		C		D		R		S		F	
	dn	inch	size		mm	in	mm	in	mm	in	mm	in	mm	in	mm	in
AK43J-16-16	25	1"	16	1"	83,0	3,27	44,4	1,75	29,0	1,14	88,0	3,46	65,0	2,56	11,0	0,43
AK43J-20-20	31	1.1/4"	20	1.1/4"	89,0	3,50	50,8	2,00	31,0	1,22	102,0	4,02	75,0	2,95	13,5	0,53
AK43J-24-24	38	1.1/2"	24	1.1/2"	105,0	4,13	60,3	2,37	39,4	1,55	111,0	4,37	85,0	3,35	13,5	0,53

AK93J

Japanese “KOM” style termination - 90° elbow flange with 2 bolt pre-assembled counterflange (for metric O-ring)

NO SKIVE



J

FITTINGS

- NPTF
- JIC
- ORFS
- SAE
- JIS**
- BSP-BSPT
- METRIC
- SAE 3000 CODE 61
- SAE 6000 CODE 62
- TAPERED SAE
- SUPERCAT STYLE
- STAPLE LOCK
- H.P. STAPLE LOCK
- LOK-IT

code	ø hose			flange	A		C		D		R		S		F	
	dn	inch	size		mm	in	mm	in	mm	in	mm	in	mm	in	mm	in
AK93J-16-16	25	1"	16	1"	70,6	2,78	44,4	1,75	70,0	2,76	88,0	3,46	65,0	2,56	11,0	0,43
AK93J-20-20	31	1.1/4"	20	1.1/4"	102,9	4,05	50,8	2,00	80,0	3,15	102,0	4,02	75,0	2,95	13,5	0,53
AK93J-24-24	38	1.1/2"	24	1.1/2"	118,0	4,65	60,3	2,37	110,0	4,33	111,0	4,37	85,0	3,35	13,5	0,53

For multispiral and wire braid hoses

J

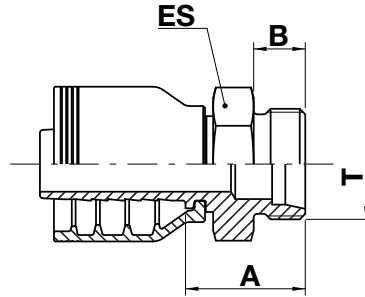
KC10J

“KOB” style male (24° cone seat)

NO SKIVE

FITTINGS

- NPTF
- JIC
- ORFS
- SAE
- JIS**
- BSP-BSPT
- METRIC
- SAE 3000 CODE 61
- SAE 6000 CODE 62
- TAPERED SAE
- SUPERCAT STYLE
- STAPLE LOCK
- H.P. STAPLE LOCK
- LOK-IT

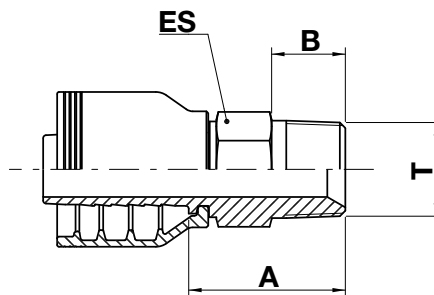


code	ø hose			T	A		B		ES		
	dn	inch	size		mm	in	mm	in	mm	in	↻ in
KC10J-12-30	19	3/4"	12	M30x1,5	32,5	1,28	14,0	0,55	36,0	1,417	1.7/16"
KC10J-12-36	19	3/4"	12	M36x1,5	36,5	1,44	16,0	0,63	41,0	1,614	1.5/8"
KC10J-16-36	25	1"	16	M36x1,5	38,0	1,50	16,0	0,63	41,0	1,614	1.5/8"
KC10J-16-45	25	1"	16	M45x1,5	40,0	1,57	16,0	0,63	50,0	1,969	2"

MT10J

BSPT tapered male 60° cone

NO SKIVE



J

FITTINGS

- NPTF
- JIC
- ORFS
- SAE
- JIS
- BSP-BSPT**
- METRIC
- SAE 3000 CODE 61
- SAE 6000 CODE 62
- TAPERED SAE
- SUPERCAT STYLE
- STAPLE LOCK
- H.P. STAPLE LOCK
- LOK-IT

code	ø hose			T	A		B		ES		
	dn	inch	size		mm	in	mm	in	mm	in	↻ in
MT10J-06-04	10	3/8"	06	1/4"-19	24,5	0,96	14,0	0,55	14,0	0,551	9/16"
MT10J-06-06	10	3/8"	06	3/8"-19	29,0	1,14	15,0	0,59	19,0	0,748	3/4"
MT10J-06-08	10	3/8"	06	1/2"-14	32,0	1,26	18,0	0,71	22,0	0,866	7/8"
MT10J-08-08	12	1/2"	08	1/2"-14	32,5	1,28	18,0	0,71	22,0	0,866	7/8"
MT10J-10-10	16	5/8"	10	5/8"-14	36,0	1,42	16,0	0,63	24,0	0,945	15/16"
MT10J-12-12	19	3/4"	12	3/4"-14	42,5	1,67	20,0	0,79	27,0	1,063	1.1/16"
MT10J-12-16	19	3/4"	12	1"-11	45,5	1,79	23,0	0,91	36,0	1,417	1.7/16"
MT10J-16-16	25	1"	16	1"-11	47,0	1,85	23,0	0,91	36,0	1,417	1.7/16"
MT10J-20-16	31	1.1/4"	20	1"-11	51,0	2,00	23,0	0,91	41,0	1,614	1.5/8"
MT10J-20-20	31	1.1/4"	20	1.1/4"-11	50,0	1,97	25,0	0,98	46,0	1,811	1.13/16"
MT10J-24-24	38	1.1/2"	24	1.1/2"-11	53,0	2,09	28,0	1,10	50,0	1,969	2"
MT10J-32-32	51	2"	32	2"-11	60,0	2,36	28,0	1,10	60,0	2,362	2.3/8"

For multispiral and wire braid hoses

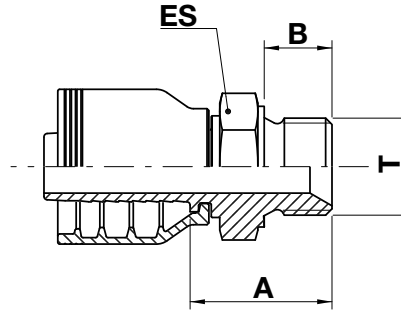
J

MB10J

BSP male 60° cone

NO SKIVE

ISO 8434-6 / BS 5200



FITTINGS

- NPTF
- JIC
- ORFS
- SAE
- JIS
- BSP-BSPT**
- METRIC
- SAE 3000 CODE 61
- SAE 6000 CODE 62
- TAPERED SAE
- SUPERCAT STYLE
- STAPLE LOCK
- H.P. STAPLE LOCK
- LOK-IT

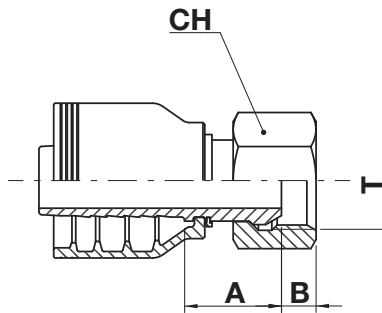
code	ø hose			T	A		B		ES		
	dn	inch	size		mm	in	mm	in	mm	in	in
MB10J-06-06	10	3/8"	06	3/8"-19	28,5	1,12	12,0	0,47	22,0	0,866	7/8"
MB10J-06-08	10	3/8"	06	1/2"-14	33,5	1,32	14,0	0,55	27,0	1,063	1.1/16"
MB10J-08-08	12	1/2"	08	1/2"-14	34,0	1,34	14,0	0,55	27,0	1,063	1.1/16"
MB10J-10-10	16	5/8"	10	5/8"-14	33,5	1,32	16,0	0,63	30,0	1,181	1.3/16"
MB10J-10-12	16	5/8"	10	3/4"-14	36,0	1,42	16,0	0,63	32,0	1,260	1.1/4"
MB10J-12-12	19	3/4"	12	3/4"-14	36,5	1,44	16,0	0,63	32,0	1,260	1.1/4"
MB10J-16-16	25	1"	16	1"-11	42,0	1,65	19,0	0,75	41,0	1,614	1.5/8"
MB10J-20-20	31	1.1/4"	20	1.1/4"-11	48,0	1,89	20,0	0,79	50,0	1,969	2"
MB10J-24-24	38	1.1/2"	24	1.1/2"-11	50,0	1,97	22,0	0,87	55,0	2,165	2.3/16"
MB10J-32-32	51	2"	32	2"-11	63,5	2,50	25,0	0,98	70,0	2,756	2.3/4"

FB13J FB11J FB12J

BSPT female swivel 60° cone

NO SKIVE

ISO 8434-6 / BS 5200

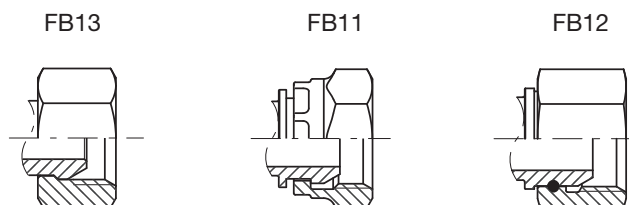


FITTING

- NPTF
- JIC
- ORFS
- SAE
- JIS
- BSP-BSPT**
- METRIC
- SAE 3000 CODE 61
- SAE 6000 CODE 62
- TAPERED SAE
- SUPERCAT STYLE
- STAPLE LOCK
- H.P. STAPLE LOCK
- LOK-IT

code	ø hose			T	A		B		CH		
	dn	inch	size		mm	in	mm	in	mm	in	↻ in
FB13J-06-06	10	3/8"	06	3/8"-19	18,5	0,73	6,0	0,24	22,0	0,866	7/8"
FB13J-06-08	10	3/8"	06	1/2"-14	20,5	0,81	6,5	0,26	27,0	1,063	1.1/16"
FB13J-08-08	12	1/2"	08	1/2"-14	21,0	0,83	6,5	0,26	27,0	1,063	1.1/16"
FB11J-08-10	12	1/2"	08	5/8"-14	18,0	0,71	9,5	0,37	27,0	1,063	1.1/16"
FB11J-10-10	16	5/8"	10	5/8"-14	18,0	0,71	9,5	0,37	27,0	1,063	1.1/16"
FB11J-10-12	16	5/8"	10	3/4"-14	21,3	0,84	8,7	0,34	32,0	1,260	1.1/4"
FB11J-12-12	19	3/4"	12	3/4"-14	21,8	0,86	8,7	0,34	32,0	1,260	1.1/4"
FB12J-12-16	19	3/4"	12	1"-11	29,0	1,14	10,5	0,41	38,0	1,496	1.1/2"
FB12J-16-16	25	1"	16	1"-11	30,5	1,20	10,5	0,41	38,0	1,496	1.1/2"
FB12J-16-20	25	1"	16	1.1/4"-11	37,0	1,46	10,0	0,39	50,0	1,969	2"
FB12J-20-16	31	1.1/4"	20	1"-11	31,0	1,22	10,5	0,41	38,0	1,496	1.1/2"
FB12J-20-20	31	1.1/4"	20	1.1/4"-11	36,0	1,42	10,0	0,39	50,0	1,969	2"
FB12J-24-24	38	1.1/2"	24	1.1/2"-11	35,8	1,41	12,0	0,47	55,0	2,165	2.3/16"
FB12J-32-32	51	2"	32	2"-11	40,0	1,57	16,0	0,63	70,0	2,756	2.3/4"

Nut type



For multispiral and wire braid hoses

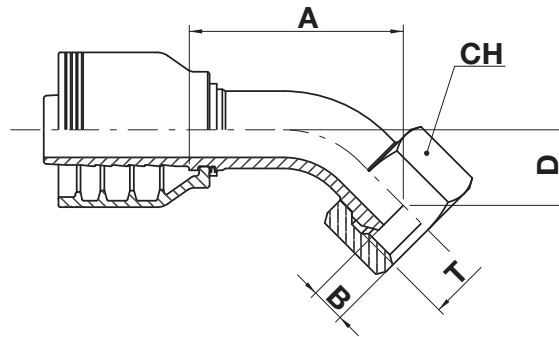
FB43J

FB41J FB42J

BSP female swivel 60° cone - 45° elbow

NO SKIVE

ISO 8434-6 / BS 5200

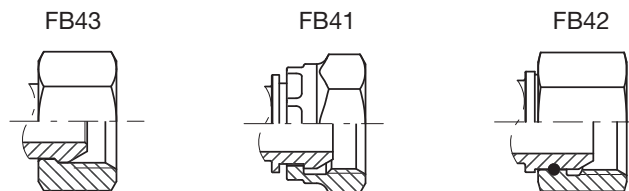


FITTING

- NPTF
- JIC
- ORFS
- SAE
- JIS
- BSP-BSPT**
- METRIC
- SAE 3000 CODE 61
- SAE 6000 CODE 62
- TAPERED SAE
- SUPERCAT STYLE
- STAPLE LOCK
- H.P. STAPLE LOCK
- LOK-IT

code	ø hose			T	A		B		D		CH		
	dn	inch	size		mm	in	mm	in	mm	in	mm	in	↗ in
FB43J-06-06	10	3/8"	06	3/8"-19	37,6	1,48	6,0	0,24	14,7	0,58	22,0	0,866	7/8"
FB43J-06-08	10	3/8"	06	1/2"-14	38,6	1,52	6,5	0,26	16,0	0,63	27,0	1,063	1.1/16"
FB43J-08-08	12	1/2"	08	1/2"-14	48,0	1,89	6,5	0,26	18,0	0,71	27,0	1,063	1.1/16"
FB41J-10-10	16	5/8"	10	5/8"-14	60,5	2,38	9,5	0,37	23,3	0,92	30,0	1,181	1.3/16"
FB41J-10-12	16	5/8"	10	3/4"-14	64,0	2,52	8,7	0,34	26,9	1,06	32,0	1,260	1.1/4"
FB41J-12-12	19	3/4"	12	3/4"-14	67,4	2,66	8,7	0,34	26,9	1,06	32,0	1,260	1.1/4"
FB42J-16-16	25	1"	16	1"-11	85,0	3,35	10,5	0,41	35,2	1,39	38,0	1,496	1.1/2"
FB42J-20-20	31	1.1/4"	20	1.1/4"-11	97,0	3,82	10,0	0,39	37,5	1,48	50,0	1,969	2"
FB42J-24-24	38	1.1/2"	24	1.1/2"-11	119,0	4,69	12,0	0,47	51,5	2,03	55,0	2,165	2.3/16"
FB42J-32-32	51	2"	32	2"-11	149,8	5,90	16,0	0,63	60,0	2,36	70,0	2,756	2.3/4"

Nut type



FB93J

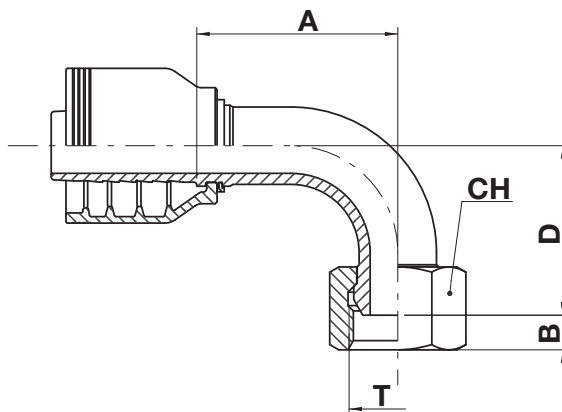
FB91J FB92J

J

BSP female swivel 60° cone - 90° elbow

NO SKIVE

ISO 8434-6 / BS 5200



FITTING

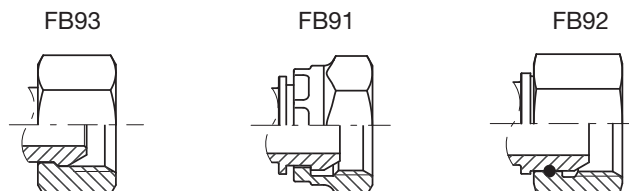
NPTF
JIC
ORFS
SAE
JIS

BSP-BSPT

METRIC
SAE 3000 CODE 61
SAE 6000 CODE 62
TAPERED SAE
SUPERCAT STYLE
STAPLE LOCK
H.P. STAPLE LOCK
LOK-IT

code	ø hose			T	A		B		D		CH		
	dn	inch	size		mm	in	mm	in	mm	in	mm	in	in
FB93J-06-06	10	3/8"	06	3/8"-19	31,5	1,24	6,0	0,24	29,5	1,16	22,0	0,866	7/8"
FB93J-06-08	10	3/8"	06	1/2"-14	30,3	1,19	6,5	0,26	31,0	1,22	27,0	1,063	1.1/16"
FB93J-08-08	12	1/2"	08	1/2"-14	37,2	1,46	6,5	0,26	36,0	1,41	27,0	1,063	1.1/16"
FB91J-10-10	16	5/8"	10	5/8"-14	54,0	2,13	9,5	0,37	50,0	1,97	30,0	1,181	1.3/16"
FB91J-10-12	16	5/8"	10	3/4"-14	54,0	2,13	8,7	0,34	55,0	2,17	32,0	1,260	1.1/4"
FB91J-12-12	19	3/4"	12	3/4"-14	55,5	2,18	8,7	0,34	55,0	2,17	32,0	1,260	1.1/4"
FB92J-12-16	19	3/4"	12	1"-11	60,5	2,38	10,5	0,41	66,0	2,60	38,0	1,496	1.1/2"
FB92J-16-16	25	1"	16	1"-11	72,0	2,83	10,5	0,41	73,0	2,89	38,0	1,496	1.1/2"
FB92J-20-20	31	1.1/4"	20	1.1/4"-11	87,5	3,44	10,0	0,39	77,0	3,03	50,0	1,969	2"
FB92J-24-24	38	1.1/2"	24	1.1/2"-11	102,0	4,02	12,0	0,47	100,0	3,94	55,0	2,165	2.3/16"
FB92J-32-32	51	2"	32	2"-11	132,0	5,20	16,0	0,63	128,0	5,04	70,0	2,756	2.3/4"

Nut type



For multispiral and wire braid hoses

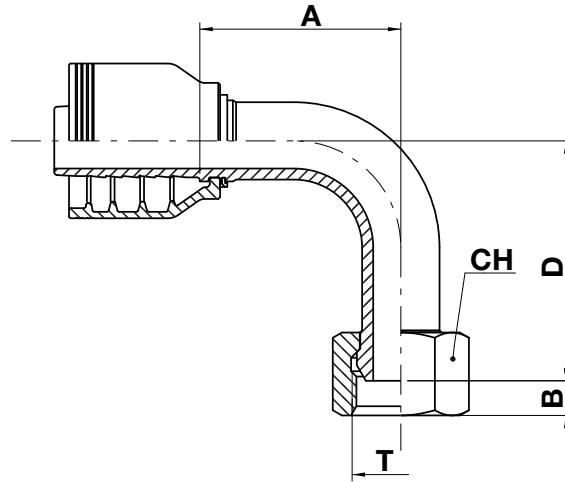
J

FB93J-L FB91J-L FB92J-L

BSP female swivel 60° cone - 90° elbow (long drop)

NO SKIVE

ISO 8434-6 / BS 5200

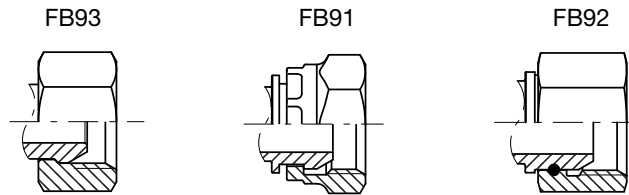


FITTINGS

- NPTF
- JIC
- ORFS
- SAE
- JIS
- BSP-BSPT**
- METRIC
- SAE 3000 CODE 61
- SAE 6000 CODE 62
- TAPERED SAE
- SUPERCAT STYLE
- STAPLE LOCK
- H.P. STAPLE LOCK
- LOK-IT

code	ø hose			T	A		B		D		CH		
	dn	inch	size		mm	in	mm	in	mm	in	mm	in	↗ in
FB91J-12-12-84-2J	19	3/4"	12	3/4"-14	55,5	2,18	8,7	0,34	84,0	3,31	32,0	1,260	1.1/4"
FB92J-16-16-102	25	1"	16	1"-11	72,0	2,83	10,5	0,41	102,0	4,02	38,0	1,496	1.1/2"
FB92J-20-20-118	31	1.1/4"	20	1.1/4"-11	87,5	3,44	10,0	0,39	118,0	4,65	50,0	1,969	2"

Nut type



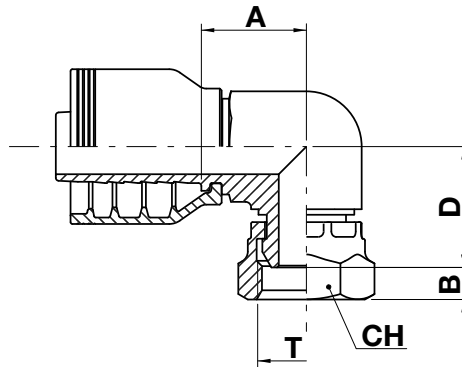
For multispiral and wire braid hoses

KM91J

BSP female swivel 60° cone - 90° compact elbow

NO SKIVE

ISO 8434-6 / BS 5200



FITTINGS

NPTF
JIC
ORFS
SAE
JIS

BSP-BSPT

METRIC
SAE 3000 CODE 61
SAE 6000 CODE 62
TAPERED SAE
SUPERCAT STYLE
STAPLE LOCK
H.P. STAPLE LOCK
LOK-IT

code	ø hose			T	A		B		D		CH		
	dn	inch	size		mm	in	mm	in	mm	in	mm	in	in
KM91J-06-06	10	3/8"	06	3/8"-19	21,5	0,85	5,7	0,22	25,5	1,00	22,0	0,866	7/8"
KM91J-08-08	12	1/2"	08	1/2"-14	25,0	0,98	6,9	0,27	28,5	1,12	27,0	1,063	1.1/16"
KM91J-10-10	16	5/8"	10	5/8"-14	27,0	1,06	9,0	0,35	27,5	1,08	30,0	1,181	1.3/16"
KM91J-12-12	19	3/4"	12	3/4"-14	28,5	1,12	8,7	0,34	32,8	1,29	32,0	1,260	1.1/4"
KM91J-16-16	25	1"	16	1"-11	34,0	1,34	10,5	0,41	37,5	1,48	41,0	1,614	1.5/8"

For multispiral and wire braid hoses

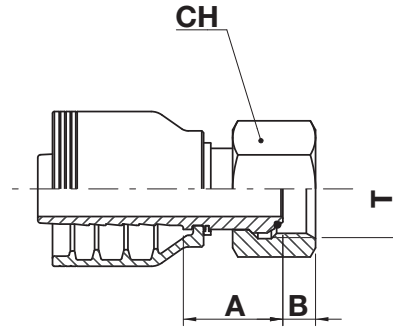
J

FO13J FO12J

BSP O-ring female swivel 60° cone

NO SKIVE

ISO 8434-6 / BS 5200

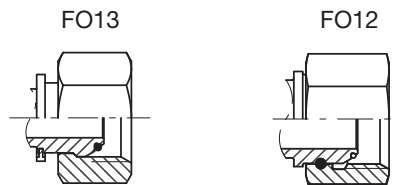


FITTING

- NPTF
- JIC
- ORFS
- SAE
- JIS
- BSP-BSPT**
- METRIC
- SAE 3000 CODE 61
- SAE 6000 CODE 62
- TAPERED SAE
- SUPERCAT STYLE
- STAPLE LOCK
- H.P. STAPLE LOCK
- LOK-IT

code	ø hose			T	A		B		CH		
	dn	inch	size		mm	in	mm	in	mm	in	↻ in
FO13J-06-06	10	3/8"	06	3/8"-19	19,0	0,75	6,1	0,24	22,0	0,866	7/8"
FO13J-08-08	12	1/2"	08	1/2"-14	21,0	0,83	6,5	0,26	27,0	1,063	1.1/16"
FO12J-10-10	16	5/8"	10	5/8"-14	21,5	0,85	9,5	0,37	30,0	1,181	1.3/16"
FO12J-12-12	19	3/4"	12	3/4"-14	24,0	0,94	8,7	0,34	32,0	1,260	1.1/4"
FO12J-16-16	25	1"	16	1"-11	30,5	1,20	10,5	0,41	38,0	1,496	1.1/2"
FO12J-20-20	31	1.1/4"	20	1.1/4"-11	35,0	1,38	10,0	0,39	50,0	1,969	2"
FO12J-24-24	38	1.1/2"	24	1.1/2"-11	35,8	1,41	12,0	0,47	55,0	2,165	2.3/16"
FO12J-32-32	51	2"	32	2"-11	39,8	1,57	16,0	0,63	70,0	2,756	2.3/4"

Nut type



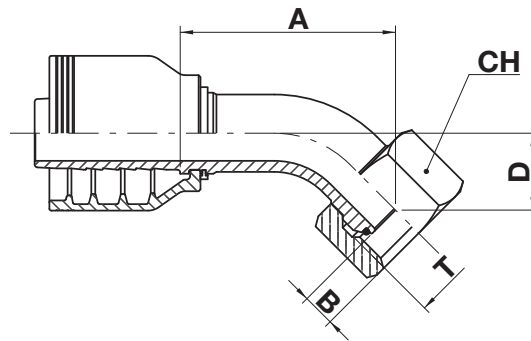
For multispiral and wire braid hoses

FO43J FO42J

BSP O-ring female swivel 60° cone - 45° elbow

NO SKIVE

ISO 8434-6 / BS 5200



J

FITTING

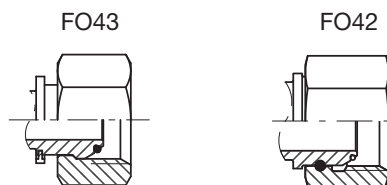
- NPTF
- JIC
- ORFS
- SAE
- JIS

BSP-BSPT

- METRIC
- SAE 3000 CODE 61
- SAE 6000 CODE 62
- TAPERED SAE
- SUPERCAT STYLE
- STAPLE LOCK
- H.P. STAPLE LOCK
- LOK-IT

code	ø hose			T	A		B		D		CH		
	dn	inch	size		mm	in	mm	in	mm	in	mm	in	in
FO43J-06-06	10	3/8"	06	3/8"-19	37,7	1,48	6,1	0,24	15,0	0,59	22,0	0,866	7/8"
FO43J-08-08	12	1/2"	08	1/2"-14	46,0	1,81	6,5	0,26	18,0	0,71	27,0	1,063	1.1/16"
FO42J-10-10	16	5/8"	10	5/8"-14	63,0	2,48	9,5	0,37	26,0	1,02	30,0	1,181	1.3/16"
FO42J-12-12	19	3/4"	12	3/4"-14	68,9	2,71	8,7	0,34	28,3	1,11	32,0	1,260	1.1/4"
FO42J-16-16	25	1"	16	1"-11	85,0	3,35	10,5	0,41	35,2	1,39	38,0	1,496	1.1/2"
FO42J-20-20	31	1.1/4"	20	1.1/4"-11	97,5	3,84	10,0	0,39	36,3	1,43	50,0	1,969	2"
FO42J-24-24	38	1.1/2"	24	1.1/2"-11	119,0	4,69	12,0	0,47	49,2	1,94	55,0	2,165	2.3/16"
FO42J-32-32	51	2"	32	2"-11	142,2	5,60	16,0	0,63	59,6	2,35	70,0	2,756	2.3/4"

Nut type



For multispiral and wire braid hoses

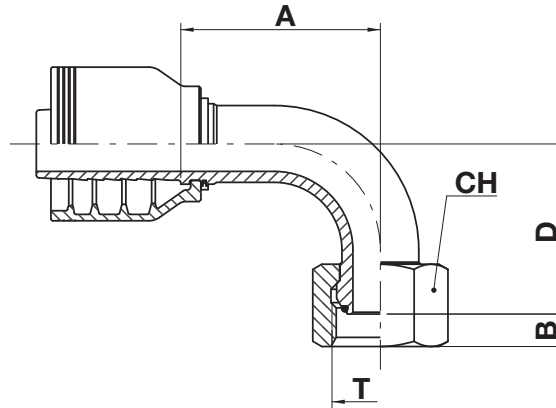
J

FO93J FO92J

BSP O-ring female swivel 60° cone - 90° elbow

NO SKIVE

ISO 8434-6 / BS 5200

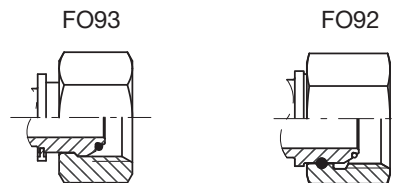


FITTING

- NPTF
- JIC
- ORFS
- SAE
- JIS
- BSP-BSPT**
- METRIC
- SAE 3000 CODE 61
- SAE 6000 CODE 62
- TAPERED SAE
- SUPERCAT STYLE
- STAPLE LOCK
- H.P. STAPLE LOCK
- LOK-IT

code	ø hose			T	A		B		D		CH		
	dn	inch	size		mm	in	mm	in	mm	in	mm	in	↗ in
FO93J-06-06	10	3/8"	06	3/8"-19	31,5	1,24	6,1	0,24	30,0	1,18	22,0	0,866	7/8"
FO93J-08-08	12	1/2"	08	1/2"-14	37,3	1,47	6,5	0,26	36,0	1,42	27,0	1,063	1.1/16"
FO92J-10-10	16	5/8"	10	5/8"-14	54,0	2,13	9,5	0,37	53,5	2,10	30,0	1,181	1.3/16"
FO92J-12-12	19	3/4"	12	3/4"-14	58,0	2,28	8,7	0,34	57,0	2,24	32,0	1,260	1.1/4"
FO92J-16-16	25	1"	16	1"-11	72,0	2,83	10,5	0,41	73,0	2,88	38,0	1,496	1.1/2"
FO92J-20-20	31	1.1/4"	20	1.1/4"-11	82,5	3,25	10,0	0,39	77,0	3,03	50,0	1,969	2"
FO92J-24-24	38	1.1/2"	24	1.1/2"-11	102,0	4,02	12,0	0,47	100,0	3,94	55,0	2,165	2.3/16"
FO92J-32-32	51	2"	32	2"-11	132,0	5,20	16,0	0,63	128,0	5,04	70,0	2,756	2.3/4"

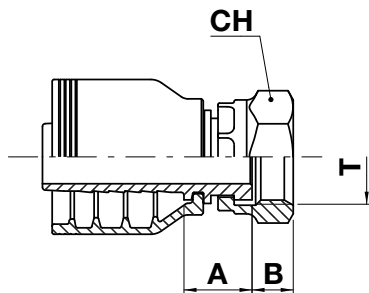
Nut type



FP11J FP12J

BSP flat face female swivel

NO SKIVE




J

FITTINGS

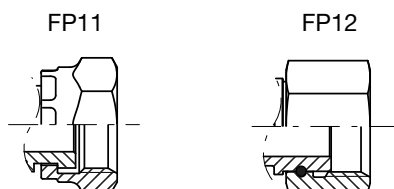
- NPTF
- JIC
- ORFS
- SAE
- JIS

BSP-BSPT

- METRIC
- SAE 3000 CODE 61
- SAE 6000 CODE 62
- TAPERED SAE
- SUPERCAT STYLE
- STAPLE LOCK
- H.P. STAPLE LOCK
- LOK-IT

code	ø hose			T	A		B		CH		
	dn	inch	size		mm	in	mm	in	mm	in	 in
FP11J-06-06	10	3/8"	06	3/8"-19	15,5	0,61	9,0	0,35	22,0	0,866	7/8"
FP11J-06-08	10	3/8"	06	1/2"-14	16,0	0,63	10,5	0,41	27,0	1,063	1.1/16"
FP11J-12-12	19	3/4"	12	3/4"-14	26,0	1,02	11,5	0,45	32,0	1,260	1.1/4"
FP12J-16-16	25	1"	16	1"-11	26,0	1,02	13,0	0,51	38,0	1,496	1.1/2"

Nut type



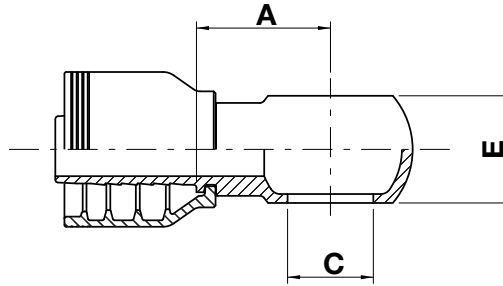
For multispiral and wire braid hoses

J

BB10J

BSP banjo

NO SKIVE



FITTINGS

- NPTF
- JIC
- ORFS
- SAE
- JIS
- BSP-BSPT**
- METRIC
- SAE 3000 CODE 61
- SAE 6000 CODE 62
- TAPERED SAE
- SUPERCAT STYLE
- STAPLE LOCK
- H.P. STAPLE LOCK
- LOK-IT

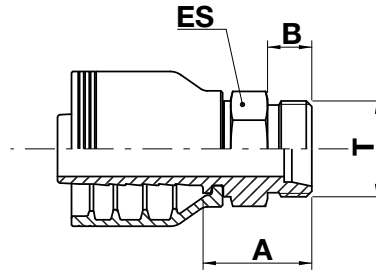
code	ø hose			T	A		C		E	
	dn	inch	size		mm	in	mm	in	mm	in
BB10J-06-06	10	3/8"	06	3/8"-19	24,0	0,94	16,8	0,66	18,0	0,71
BB10J-06-08	10	3/8"	06	1/2"-14	26,0	1,02	21,0	0,83	22,0	0,87
BB10J-08-08	12	1/2"	08	1/2"-14	27,0	1,06	21,0	0,83	22,0	0,87
BB10J-10-10	16	5/8"	10	5/8"-14	28,0	1,10	23,1	0,91	24,0	0,94
BB10J-12-12	19	3/4"	12	3/4"-14	36,5	1,44	26,5	1,04	29,0	1,14
BB10J-16-16	25	1"	16	1"-11	44,5	1,75	33,5	1,32	37,0	1,46

ML10J

Metric light male (24° cone seat)

NO SKIVE

ISO 8434-1 / DIN 3865



FITTINGS

- NPTF
- JIC
- ORFS
- SAE
- JIS
- BSP-BSPT
- METRIC**
- SAE 3000 CODE 61
- SAE 6000 CODE 62
- TAPERED SAE
- SUPERCAT STYLE
- STAPLE LOCK
- H.P. STAPLE LOCK
- LOK-IT

code	ø hose			T	pipe	A		B		ES		
	dn	inch	size			mm	in	mm	in	mm	in	↻ in
ML10J-06-16	10	3/8"	06	M16X1,5	L10	24,5	0,96	11,0	0,43	17,0	0,669	11/16"
ML10J-06-18	10	3/8"	06	M18X1,5	L12	25,0	0,98	11,0	0,43	19,0	0,748	3/4"
ML10J-06-22	10	3/8"	06	M22X1,5	L15	26,0	1,02	12,0	0,47	22,0	0,866	7/8"
ML10J-08-22	12	1/2"	08	M22X1,5	L15	26,5	1,04	12,0	0,47	22,0	0,866	7/8"
ML10J-10-26	16	5/8"	10	M26X1,5	L18	29,0	1,14	12,0	0,47	27,0	1,063	1.1/16"
ML10J-12-26	19	3/4"	12	M26X1,5	L18	29,5	1,16	12,0	0,47	27,0	1,063	1.1/16"
ML10J-12-30	19	3/4"	12	M30X2	L22	31,5	1,24	14,0	0,55	30,0	1,181	1.3/16"
ML10J-16-36	25	1"	16	M36X2	L28	34,0	1,34	14,0	0,55	36,0	1,417	1.7/16"
ML10J-20-45	31	1.1/4"	20	M45X2	L35	41,0	1,61	16,0	0,63	46,0	1,811	1.13/16"
ML10J-24-52	38	1.1/2"	24	M52X2	L42	40,4	1,59	16,0	0,63	55,0	2,165	2.3/16"

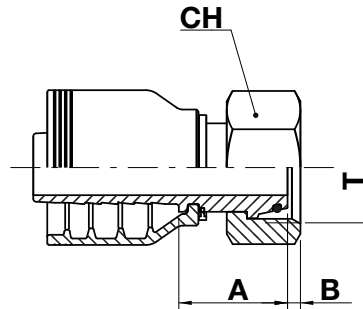
For multispiral and wire braid hoses

FL13J FL12J

Metric light female swivel (24° cone seat)

NO SKIVE

ISO 8434-1 / DIN 3865



FITTINGS

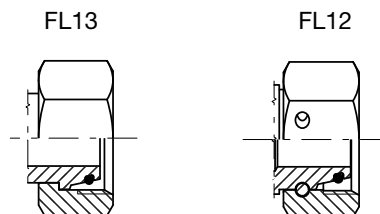
NPTF
JIC
ORFS
SAE
JIS
BSP-BSPT

METRIC

SAE 3000 CODE 61
SAE 6000 CODE 62
TAPERED SAE
SUPERCAT STYLE
STAPLE LOCK
H.P. STAPLE LOCK
LOK-IT

code	ø hose			T	pipe	A		B		CH		
	dn	inch	size			mm	in	mm	in	mm	in	↗ in
FL12J-06-16	10	3/8"	06	M16X1,5	L10	23,0	0,91	3,5	0,14	19,0	0,748	3/4"
FL13J-06-18	10	3/8"	06	M18X1,5	L12	26,0	1,02	1,5	0,06	22,0	0,866	7/8"
FL13J-06-22	10	3/8"	06	M22X1,5	L15	28,5	1,12	2,5	0,10	27,0	1,063	1.1/16"
FL13J-08-22	12	1/2"	08	M22X1,5	L15	28,5	1,12	2,5	0,10	27,0	1,063	1.1/16"
FL13J-08-26	12	1/2"	08	M26X1,5	L18	30,0	1,18	2,0	0,08	32,0	1,260	1.1/4"
FL13J-10-26	16	5/8"	10	M26X1,5	L18	29,0	1,14	2,0	0,08	32,0	1,260	1.1/4"
FL12J-12-26	19	3/4"	12	M26X1,5	L18	25,5	1,00	2,0	0,08	32,0	1,260	1.1/4"
FL13J-12-30	19	3/4"	12	M30X2	L22	29,5	1,16	3,5	0,14	36,0	1,417	1.7/16"
FL13J-16-36	25	1"	16	M36X2	L28	32,0	1,26	3,5	0,14	41,0	1,614	1.5/8"
FL13J-20-45	31	1.1/4"	20	M45X2	L35	39,5	1,56	2,0	0,08	50,0	1,969	2"
FL13J-24-52	38	1.1/2"	24	M52X2	L42	39,5	1,56	3,0	0,12	60,0	2,362	2.3/8"

Nut type



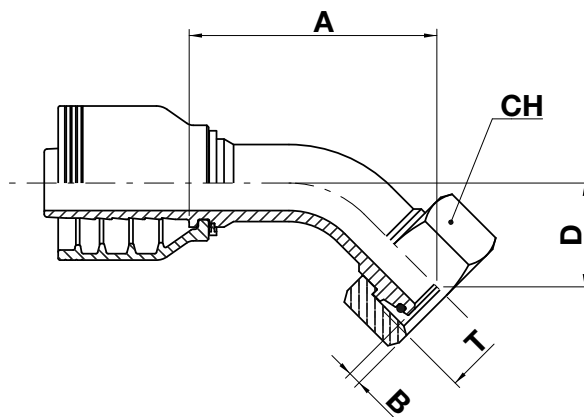
For multispiral and wire braid hoses

FL43J FL42J

Metric light female swivel - 45° elbow (24° cone seat)

NO SKIVE

ISO 8434-1 / DIN 3865



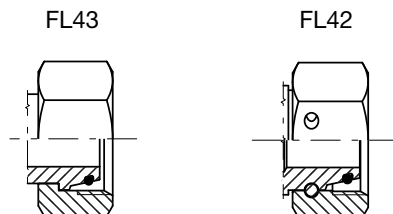
J

FITTINGS

- NPTF
- JIC
- ORFS
- SAE
- JIS
- BSP-BSPT
- METRIC**
- SAE 3000 CODE 61
- SAE 6000 CODE 62
- TAPERED SAE
- SUPERCAT STYLE
- STAPLE LOCK
- H.P. STAPLE LOCK
- LOK-IT

code	ø hose			T	pipe	A		B		D		CH		
	dn	inch	size			mm	in	mm	in	mm	in	mm	in	↻ in
FL42J-06-16	10	3/8"	06	M16X1,5	L10	44,6	1,76	3,5	0,14	14,8	0,58	19,0	0,748	3/4"
FL43J-06-18	10	3/8"	06	M18X1,5	L12	42,6	1,68	1,5	0,06	19,2	0,76	22,0	0,866	7/8"
FL43J-08-22	12	1/2"	08	M22X1,5	L15	48,2	1,90	2,5	0,10	20,8	0,82	27,0	1,063	1,1/16"
FL43J-10-26	16	5/8"	10	M26X1,5	L18	62,5	2,46	2,0	0,08	25,5	1,00	32,0	1,260	1,1/4"
FL42J-12-26	19	3/4"	12	M26X1,5	L18	70	2,75	2,0	0,08	28,8	1,13	32,0	1,260	1,1/4"
FL43J-12-30	19	3/4"	12	M30X2	L22	67,5	2,66	3,5	0,14	28,3	1,11	36,0	1,417	1,7/16"
FL43J-16-36	25	1"	16	M36X2	L28	85,0	3,35	3,5	0,14	33,1	1,30	41,0	1,614	1,5/8"
FL43J-20-45	31	1.1/4"	20	M45X2	L35	102,5	4,04	2,0	0,08	41,7	1,64	50,0	1,969	2"
FL43J-24-52	38	1.1/2"	24	M52X2	L42	121,0	4,76	3,0	0,12	46,0	1,81	60,0	2,362	2.3/8"

Nut type



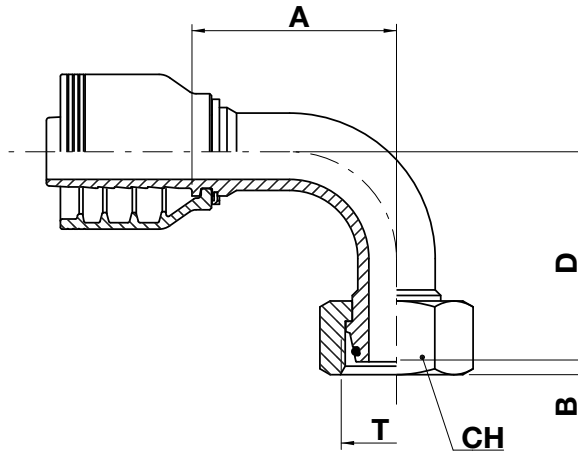
For multispiral and wire braid hoses

FL93J FL92J

Metric light female swivel - 90° elbow (24° cone seat)

NO SKIVE

ISO 8434-1 / DIN 3865



FITTINGS

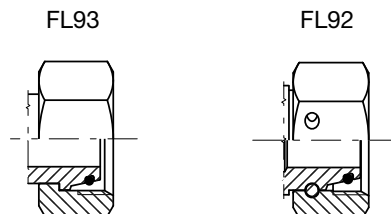
NPTF
JIC
ORFS
SAE
JIS
BSP-BSPT

METRIC

SAE 3000 CODE 61
SAE 6000 CODE 62
TAPERED SAE
SUPERCAT STYLE
STAPLE LOCK
H.P. STAPLE LOCK
LOK-IT

code	ø hose			T	pipe	A		B		D		CH		
	dn	inch	size			mm	in	mm	in	mm	in	mm	in	↻ in
FL92J-06-16	10	3/8"	06	M16X1,5	L10	34,0	1,34	1,5	0,06	39,5	1,56	19,0	0,748	3/4"
FL93J-06-18	10	3/8"	06	M18X1,5	L12	30,5	1,20	1,5	0,06	36,0	1,42	22,0	0,866	7/8"
FL93J-08-22	12	1/2"	08	M22X1,5	L15	38,2	1,50	2,5	0,10	40,0	1,57	27,0	1,063	1,1/16"
FL93J-10-26	16	5/8"	10	M26X1,5	L18	54,0	2,13	2,0	0,08	53,0	2,09	32,0	1,260	1,1/4"
FL92J-12-26	19	3/4"	12	M26X1,5	L18	55,5	2,18	2,0	0,08	28,8	1,13	32,0	1,260	1,1/4"
FL93J-12-30	19	3/4"	12	M30X2	L22	55,5	2,18	3,5	0,14	57,0	2,24	36,0	1,417	1,7/16"
FL93J-16-36	25	1"	16	M36X2	L28	74,0	2,91	3,5	0,14	69,0	2,72	41,0	1,614	1,5/8"
FL93J-20-45	31	1.1/4"	20	M45X2	L35	85,5	3,37	2,0	0,08	83,0	3,27	50,0	1,969	2"
FL93J-24-52	38	1.1/2"	24	M52X2	L42	103,0	4,05	3,0	0,12	95,5	3,76	60,0	2,362	2.3/8"

Nut type

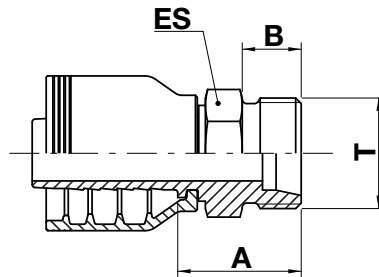


MS10J

Metric heavy male (24° cone seat)

NO SKIVE

ISO 8434-1 / DIN 3865



FITTINGS

- NPTF
- JIC
- ORFS
- SAE
- JIS
- BSP-BSPT
- METRIC**
- SAE 3000 CODE 61
- SAE 6000 CODE 62
- TAPERED SAE
- SUPERCAT STYLE
- STAPLE LOCK
- H.P. STAPLE LOCK
- LOK-IT

code	ø hose			T	pipe	A		B		ES		
	dn	inch	size			mm	in	mm	in	mm	in	↗ in
MS10J-06-18	10	3/8"	06	M18X1,5	S10	26,0	1,02	12,0	0,47	19,0	0,748	3/4"
MS10J-06-20	10	3/8"	06	M20X1,5	S12	26,0	1,02	12,0	0,47	22,0	0,866	7/8"
MS10J-06-22	10	3/8"	06	M22X1,5	S14	28,0	1,10	14,0	0,55	22,0	0,866	7/8"
MS10J-06-24	10	3/8"	06	M24X1,5	S16	28,0	1,10	14,0	0,55	24,0	0,945	15/16"
MS10J-08-24	12	1/2"	08	M24X1,5	S16	28,5	1,12	14,0	0,55	24,0	0,945	15/16"
MS10J-10-30	16	5/8"	10	M30X2	S20	33,0	1,30	16,0	0,63	30,0	1,181	1.3/16"
MS10J-12-30	19	3/4"	12	M30X2	S20	33,5	1,32	16,0	0,63	30,0	1,181	1.3/16"
MS10J-12-36	19	3/4"	12	M36X2	S25	36,5	1,44	18,0	0,71	36,0	1,417	1.7/16"
MS10J-16-36	25	1"	16	M36X2	S25	38,0	1,50	18,0	0,71	36,0	1,417	1.7/16"
MS10J-16-42	25	1"	16	M42X2	S30	41,0	1,61	20,0	0,79	46,0	1,811	1.13/16"
MS10J-20-52	31	1.1/4"	20	M52X2	S38	50,0	1,97	22,0	0,87	55,0	2,165	2.3/16"
MS10J-24-52	38	1.1/2"	24	M52X2	S38	50,0	1,97	22,0	0,87	55,0	2,165	2.3/16"

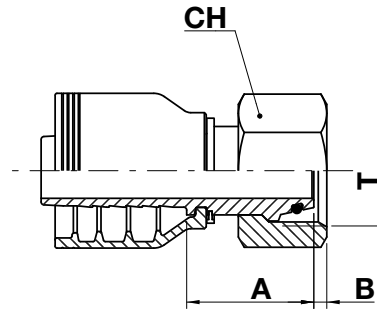
For multispiral and wire braid hoses

FS13J FS12J

Metric heavy female swivel (24° cone seat)

NO SKIVE

ISO 8434-1 / DIN 3865



FITTINGS

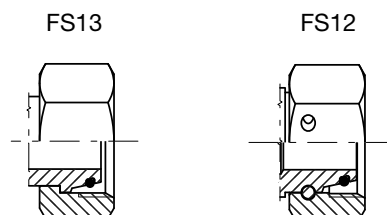
NPTF
JIC
ORFS
SAE
JIS
BSP-BSPT

METRIC

SAE 3000 CODE 61
SAE 6000 CODE 62
TAPERED SAE
SUPERCAT STYLE
STAPLE LOCK
H.P. STAPLE LOCK
LOK-IT

code	ø hose			T	pipe	A		B		CH		
	dn	inch	size			mm	in	mm	in	mm	in	↗ in
FS13J-06-18	10	3/8"	06	M18X1,5	S10	24,0	0,945	2,0	0,08	22,0	0,866	7/8"
FS13J-06-20	10	3/8"	06	M20X1,5	S12	26,5	1,04	2,0	0,08	24,0	0,945	15/16"
FS13J-06-22	10	3/8"	06	M22X1,5	S14	29,5	1,16	4,0	0,16	27,0	1,063	1.1/16"
FS12J-08-20	12	1/2"	08	M20X1,5	S12	27,0	1,06	2,0	0,08	24,0	0,945	15/16"
FS13J-08-24	12	1/2"	08	M24X1,5	S16	33,0	1,30	3,0	0,12	30,0	1,181	1.3/16"
FS13J-10-30	16	5/8"	10	M30X2	S20	34,0	1,34	3,2	0,12	36,0	1,417	1.7/16"
FS13J-10-36	16	5/8"	10	M36X2	S25	43,0	1,69	3,0	0,12	46,0	1,811	1.13/16"
FS13J-12-30	19	3/4"	12	M30X2	S20	34,5	1,36	3,2	0,12	36,0	1,417	1.7/16"
FS13J-12-36	19	3/4"	12	M36X2	S25	39,5	1,56	3,0	0,12	46,0	1,811	1.13/16"
FS13J-16-36	25	1"	16	M36X2	S25	42,0	1,65	3,0	0,12	46,0	1,811	1.13/16"
FS13J-16-42	25	1"	16	M42X2	S30	43,0	1,69	6,0	0,24	50,0	1,969	2"
FS12J-20-42	31	1.1/4"	20	M42X2	S30	36,0	1,42	6,0	0,24	50,0	1,969	2"
FS13J-20-52	31	1.1/4"	20	M52X2	S38	48,0	1,89	6,5	0,26	60,0	2,362	2.3/8"
FS13J-24-52	38	1.1/2"	24	M52X2	S38	48,0	1,89	6,5	0,26	60,0	2,362	2.3/8"

Nut type

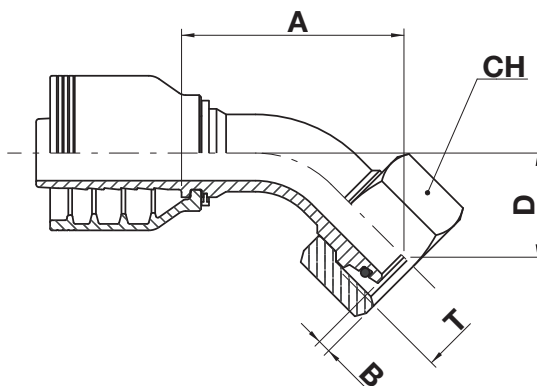


FS43J

Metric heavy female swivel - 45° elbow (24° cone seat)

NO SKIVE

ISO 8434-1 / DIN 3865



J

FITTING

NPTF

JIC

ORFS

SAE

JIS

BSP-BSPT

METRIC

SAE 3000 CODE 61

SAE 6000 CODE 62

TAPERED SAE

SUPERCAT STYLE

STAPLE LOCK

H.P. STAPLE LOCK

LOK-IT

code	ø hose			T	pipe	A		B		D		CH		
	dn	inch	size			mm	in	mm	in	mm	in	mm	in	↻ in
FS43J-06-20	10	3/8"	06	M20X1,5	S12	42,0	1,65	2,0	0,08	19,2	0,76	24,0	0,945	15/16"
FS43J-06-22	10	3/8"	06	M22X1,5	S14	45,0	1,77	4,0	0,16	22,0	0,87	27,0	1,063	1.1/16"
FS43J-08-24	12	1/2"	08	M24X1,5	S16	50,0	1,97	3,0	0,12	22,6	0,89	30,0	1,181	1.3/16"
FS43J-10-30	16	5/8"	10	M30X2	S20	64,0	2,52	3,5	0,14	26,9	1,06	36,0	1,417	1.7/16"
FS43J-12-30	19	3/4"	12	M30X2	S20	67,5	2,66	3,2	0,12	28,3	1,11	36,0	1,417	1.7/16"
FS43J-12-36	19	3/4"	12	M36X2	S25	68,9	2,71	3,0	0,12	30,4	1,19	46,0	1,811	1.13/16"
FS43J-16-36	25	1"	16	M36X2	S25	87,0	3,42	3,0	0,12	34,8	1,37	46,0	1,811	1.13"/16"
FS43J-16-42	25	1"	16	M42X2	S30	89,0	3,50	6,0	0,24	37,3	1,47	50,0	1,969	2"
FS43J-20-52	31	1.1/4"	20	M52X2	S38	121,3	4,78	6,5	0,26	45,6	1,80	60,0	2,362	2.3/8"
FS43J-24-52	38	1.1/2"	24	M52X2	S38	121,0	4,76	6,5	0,26	50,2	1,98	60,0	2,362	2.3/8"

For multispiral and wire braid hoses

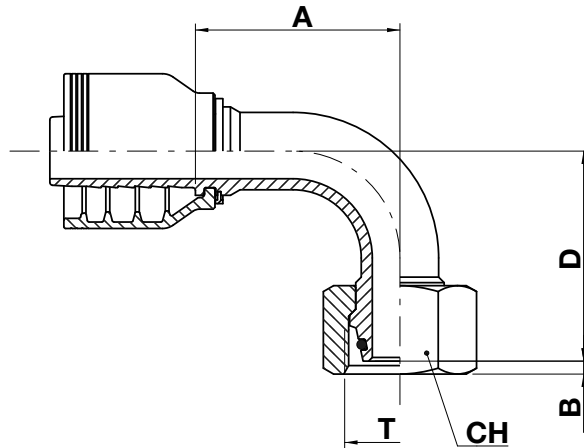
J

FS93J

Metric heavy female swivel - 90° elbow (24° cone seat)

NO SKIVE

ISO 8434-1 / DIN 3865



FITTINGS

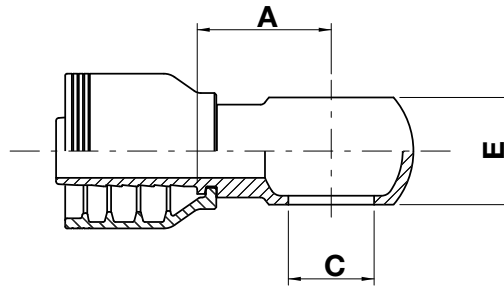
- NPTF
- JIC
- ORFS
- SAE
- JIS
- BSP-BSPT
- METRIC**
- SAE 3000 CODE 61
- SAE 6000 CODE 62
- TAPERED SAE
- SUPERCAT STYLE
- STAPLE LOCK
- H.P. STAPLE LOCK
- LOK-IT

code	ø hose			T	pipe	A		B		D		CH		
	dn	inch	size			mm	in	mm	in	mm	in	mm	in	↗ in
FS93J-06-18	10	3/8"	06	M18X1,5	S10	30,5	1,20	2,0	0,08	36,0	1,42	22,0	0,866	7/8"
FS93J-06-20	10	3/8"	06	M20X1,5	S12	30,5	1,20	2,0	0,08	36,0	1,42	24,0	0,945	15/16"
FS93J-06-22	10	3/8"	06	M22X1,5	S14	31,5	1,24	4,0	0,16	40,0	1,57	27,0	1,063	1.1/16"
FS93J-08-24	12	1/2"	08	M24X1,5	S16	38,2	1,50	3,0	0,12	42,5	1,67	30,0	1,181	1.3/16"
FS93J-10-30	16	5/8"	10	M30X2	S20	54,0	2,13	3,2	0,12	55,0	2,17	36,0	1,417	1.7/16"
FS93J-12-30	19	3/4"	12	M30X2	S20	55,5	2,19	3,2	0,12	57,0	2,24	36,0	1,417	1.7/16"
FS93J-12-36	19	3/4"	12	M36X2	S25	55,5	2,18	3,0	0,12	60,0	2,36	46,0	1,811	1.13/16"
FS93J-16-36	25	1"	16	M36X2	S25	74,0	2,91	3,0	0,12	71,5	2,81	46,0	1,811	1.13/16"
FS93J-16-42	25	1"	16	M42X2	S30	74,0	2,91	6,0	0,24	75,0	2,95	50,0	1,969	2"
FS93J-20-52	31	1.1/4"	20	M52X2	S38	102,0	4,02	6,5	0,26	95,6	3,76	60,0	2,362	2.3/8"
FS93J-24-52	38	1.1/2"	24	M52X2	S38	103,0	4,06	6,5	0,26	101,5	4,00	60,0	2,362	2.3/8"

BM10J

Metric banjo

NO SKIVE



J

FITTINGS

- NPTF
- JIC
- ORFS
- SAE
- JIS
- BSP-BSPT
- METRIC**
- SAE 3000 CODE 61
- SAE 6000 CODE 62
- TAPERED SAE
- SUPERCAT STYLE
- STAPLE LOCK
- H.P. STAPLE LOCK
- LOK-IT

code	ø hose			T	A		C		E	
	dn	inch	size		mm	in	mm	in	mm	in
BM10J-06-14	10	3/8"	06	M14X1,5	24,5	0,96	14,2	0,56	14,0	0,55
BM10J-06-16	10	3/8"	06	M16X1,5	24,0	0,94	16,2	0,64	18,0	0,71
BM10J-06-18	10	3/8"	06	M18X1,5	27,5	1,08	18,2	0,72	20,0	0,79
BM10J-06-22	10	3/8"	06	M22X1,5	26,5	1,04	22,2	0,87	22,0	0,87
BM10J-10-22	16	5/8"	10	M22X1,5	28,0	1,10	22,2	0,87	22,0	0,87
BM10J-12-26	19	3/4"	12	M26X1,5	36,5	1,44	26,2	1,03	29,0	1,14
BM10J-16-30	25	1"	16	M30X1,5	44,5	1,75	30,2	1,19	37,0	1,46

For multispiral and wire braid hoses

J

AX10J

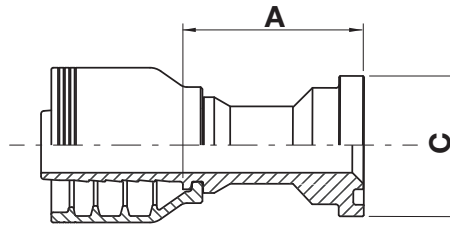
SAE 3000 code 61 straight flange

NO SKIVE

ISO 6162-1 / SAE J518-1

FITTING

- NPTF
- JIC
- ORFS
- SAE
- JIS
- BSP-BSPT
- METRIC
- SAE 3000 CODE 61**
- SAE 6000 CODE 62
- TAPERED SAE
- SUPERCAT STYLE
- STAPLE LOCK
- H.P. STAPLE LOCK
- LOK-IT



code	ø hose			flange	A		C	
	dn	inch	size		mm	in	mm	in
AX10J-08-08	12	1/2"	08	1/2"	38,0	1,50	30,2	1,19
AX10J-08-12	12	1/2"	08	3/4"	39,0	1,54	38,1	1,50
AX10J-10-12	16	5/8"	10	3/4"	39,0	1,54	38,1	1,50
AX10J-12-12	19	3/4"	12	3/4"	39,5	1,56	38,1	1,50
AX10J-12-16	19	3/4"	12	1"	46,0	1,81	44,5	1,75
AX10J-12-20	19	3/4"	12	1.1/4"	47,0	1,85	50,8	2,00
AX10J-16-16	25	1"	16	1"	47,6	1,87	44,5	1,75
AX10J-16-20	25	1"	16	1.1/4"	48,5	1,91	50,8	2,00
AX10J-16-24	25	1"	16	1.1/2"	53,0	2,09	60,4	2,38
AX10J-20-16	31	1.1/4"	20	1"	51,5	2,03	44,5	1,75
AX10J-20-20	31	1.1/4"	20	1.1/4"	49,5	1,95	50,8	2,00
AX10J-20-24	31	1.1/4"	20	1.1/2"	53,0	2,09	60,3	2,37
AX10J-20-32	31	1.1/4"	20	2"	76,5	3,01	71,4	2,81
AX10J-24-24	38	1.1/2"	24	1.1/2"	53,1	2,09	60,3	2,37
AX10J-24-32	38	1.1/2"	24	2"	74,5	2,93	71,4	2,81
AX10J-32-24	51	2"	32	1.1/2"	89,0	3,50	60,3	2,37
AX10J-32-32	51	2"	32	2"	78,5	3,09	71,4	2,81
AX10J-32-40	51	2"	32	2.1/2"	78,5	3,09	84,1	3,31
AX10J-40-40	63	2.1/2"	40	2.1/2"	90,0	3,54	84,1	3,31
AX10J-40-48	63	2.1/2"	40	3"	90,0	3,54	101,6	4,00
AX10J-48-48	76	3"	48	3"	64,5	2,54	101,6	4,00

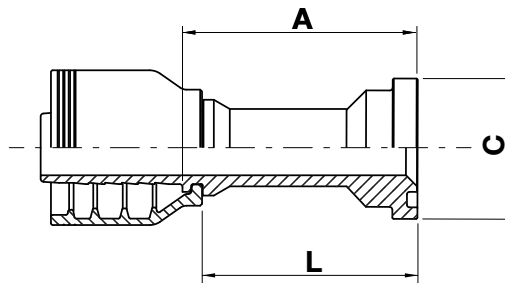
For multispiral and wire braid hoses

AX10J-L

SAE 3000 code 61 straight flange (long reach version)

NO SKIVE

ISO 6162-1 / SAE J518-1



J

FITTINGS

- NPTF
- JIC
- ORFS
- SAE
- JIS
- BSP-BSPT
- METRIC

SAE 3000 CODE 61

- SAE 6000 CODE 62
- TAPERED SAE
- SUPERCAT STYLE
- STAPLE LOCK
- H.P. STAPLE LOCK
- LOK-IT

code	ø hose			flange	A		C		L	
	dn	inch	size		mm	in	mm	in	mm	in
AX10J-12-12-65	19	3/4"	12	3/4"	72,0	2,83	38,1	1,50	65,0	2,56
AX10J-12-16-64	19	3/4"	12	1"	71,0	2,80	44,5	1,75	64,0	2,52
AX10J-16-16-65	25	1"	16	1"	72,0	2,83	44,5	1,75	65,0	2,56
AX10J-16-20-73	25	1"	16	1.1/4"	80,0	3,15	50,8	2,00	73,0	2,87
AX10J-20-20-57	31	1.1/4"	20	1.1/4"	67,0	2,64	50,8	2,00	57,0	2,24
AX10J-20-20-73	31	1.1/4"	20	1.1/4"	82,9	3,26	50,8	2,00	73,0	2,87
AX10J-24-24-83	38	1.1/2"	24	1.1/2"	91,0	3,58	60,4	2,38	83,0	3,27
AX10J-32-32-88	51	2"	32	2"	97,7	3,85	71,4	2,81	88,0	3,46

For multispiral and wire braid hoses

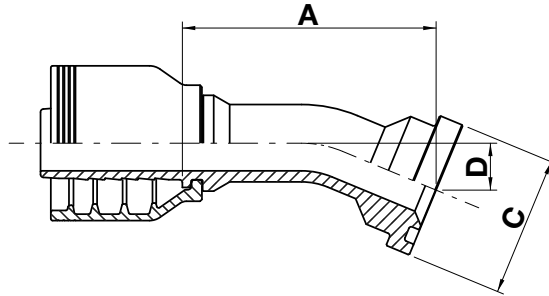
J

AX20J

SAE 3000 code 61 - 22,5° elbow flange

NO SKIVE

ISO 6162-1 / SAE J518-1



FITTINGS

- NPTF
- JIC
- ORFS
- SAE
- JIS
- BSP-BSPT
- METRIC
- SAE 3000 CODE 61**
- SAE 6000 CODE 62
- TAPERED SAE
- SUPERCAT STYLE
- STAPLE LOCK
- H.P. STAPLE LOCK
- LOK-IT

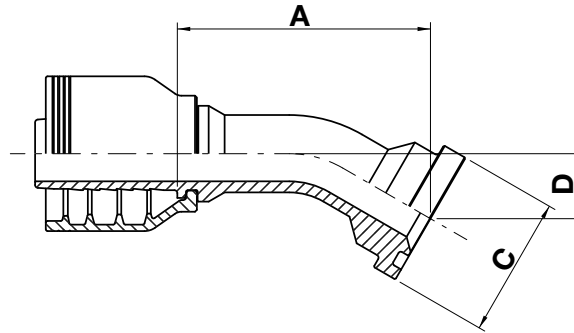
code	ø hose			flange	A		C		D	
	dn	inch	size		mm	in	mm	in	mm	in
AX20J-08-08	12	1/2"	08	1/2"	55,3	2,18	30,2	1,19	10,2	0,40
AX20J-08-12	12	1/2"	08	3/4"	59,9	2,36	38,1	1,50	12,2	0,48
AX20J-12-12	19	3/4"	12	3/4"	68,9	2,71	38,1	1,50	12,7	0,50
AX20J-12-16	19	3/4"	12	1"	65,9	2,60	44,5	1,75	13,3	0,52
AX20J-16-16	25	1"	16	1"	72,0	2,83	44,5	1,75	11,5	0,45
AX20J-16-20	25	1"	16	1.1/4"	74,0	2,91	50,8	2,00	12,6	0,50
AX20J-20-20	31	1.1/4"	20	1.1/4"	96,5	3,80	50,8	2,00	13,5	0,53
AX20J-20-24	31	1.1/4"	20	1.1/2"	86,0	3,39	60,3	2,37	13,5	0,53
AX20J-24-24	38	1.1/2"	24	1.1/2"	99,0	3,90	60,3	2,37	17,2	0,68
AX20J-24-32	38	1.1/2"	24	2"	99,0	3,90	71,4	2,81	17,2	0,68
AX20J-32-32	51	2"	32	2"	133,3	5,25	71,4	2,81	23,0	0,91
AX20J-32-40	51	2"	32	2.1/2"	146,7	5,78	84,1	3,31	26,6	1,05
AX20J-40-40	63	2.1/2"	40	2.1/2"	105,0	4,13	84,1	3,31	18,6	0,73
AX20J-40-48	63	2.1/2"	40	3"	105,0	4,13	101,6	4,00	18,6	0,73
AX20J-48-48-21	76	3"	48	3"	113,0	4,49	101,6	4,00	21,0	0,83

AX30J

SAE 3000 code 61 - 30° elbow flange

NO SKIVE

ISO 6162-1 / SAE J518-1



J

FITTINGS

- NPTF
- JIC
- ORFS
- SAE
- JIS
- BSP-BSPT
- METRIC
- SAE 3000 CODE 61**
- SAE 6000 CODE 62
- TAPERED SAE
- SUPERCAT STYLE
- STAPLE LOCK
- H.P. STAPLE LOCK
- LOK-IT

code	ø hose			flange	A		C		D	
	dn	inch	size		mm	in	mm	in	mm	in
AX30J-08-08	12	1/2"	08	1/2"	55,7	2,19	30,2	1,19	14,2	0,56
AX30J-08-12	12	1/2"	08	3/4"	60,1	2,37	38,1	1,50	16,7	0,66
AX30J-12-12	19	3/4"	12	3/4"	68,7	2,70	38,1	1,50	17,6	0,69
AX30J-12-16	19	3/4"	12	1"	67,1	2,64	44,5	1,75	18,4	0,72
AX30J-16-16	25	1"	16	1"	77,0	3,03	44,5	1,75	16,5	0,65
AX30J-16-20	25	1"	16	1.1/4"	72,0	2,83	50,8	2,00	17,7	0,70
AX30J-20-20	31	1.1/4"	20	1.1/4"	94,5	3,72	50,8	2,00	19,0	0,75
AX30J-20-24	31	1.1/4"	20	1.1/2"	90,0	3,54	60,3	2,37	19,0	0,75
AX30J-24-24	38	1.1/2"	24	1.1/2"	103,0	4,06	60,3	2,37	24,2	0,96
AX30J-24-32	38	1.1/2"	24	2"	103,0	4,06	71,4	2,81	24,2	0,96
AX30J-32-32	51	2"	32	2.1/2"	140,3	5,52	71,4	2,81	32,0	1,26
AX30J-40-40	63	2.1/2"	40	3"	114,4	4,50	84,1	3,31	27,7	1,09
AX30J-48-48-30	76	3"	48	3"	121,2	4,78	101,6	4,00	30,7	1,21

AX40J

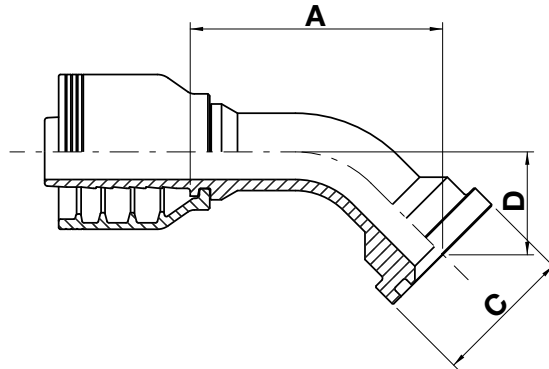
SAE 3000 code 61 - 45° elbow flange

NO SKIVE

ISO 6162-1 / SAE J518-1

FITTINGS

- NPTF
- JIC
- ORFS
- SAE
- JIS
- BSP-BSPT
- METRIC
- SAE 3000 CODE 61**
- SAE 6000 CODE 62
- TAPERED SAE
- SUPERCAT STYLE
- STAPLE LOCK
- H.P. STAPLE LOCK
- LOK-IT



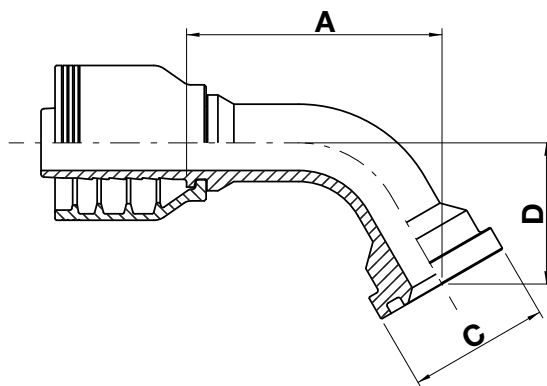
code	ø hose			flange	A		C		D	
	dn	inch	size		mm	in	mm	in	mm	in
AX40J-08-08	12	1/2"	08	1/2"	55,2	2,17	30,2	1,19	21,9	0,86
AX40J-08-12	12	1/2"	08	3/4"	60,1	2,37	38,1	1,50	24,3	0,96
AX40J-10-12	16	5/8"	10	3/4"	66,0	2,60	38,1	1,50	26,9	1,06
AX40J-12-12	19	3/4"	12	3/4"	68,5	2,70	38,1	1,50	27,9	1,10
AX40J-12-16	19	3/4"	12	1"	70,5	2,77	44,5	1,75	29,0	1,14
AX40J-12-20	19	3/4"	12	1.1/4"	70,5	2,78	50,8	2,00	30,6	1,20
AX40J-16-16	25	1"	16	1"	74,4	2,93	44,5	1,75	27,0	1,06
AX40J-16-20	25	1"	16	1.1/4"	76,2	3,00	50,8	2,00	29,0	1,14
AX40J-20-16	31	1.1/4"	20	1"	115,5	4,55	44,5	1,75	43,8	1,72
AX40J-20-20	31	1.1/4"	20	1.1/4"	88,0	3,46	50,8	2,00	31,1	1,22
AX40J-20-24	31	1.1/4"	20	1.1/2"	90,0	3,54	60,3	2,37	31,0	1,22
AX40J-24-24	38	1.1/2"	24	1.1/2"	100,0	3,94	60,3	2,37	39,4	1,55
AX40J-24-32	38	1.1/2"	24	2"	105,0	4,13	71,4	2,81	39,4	1,55
AX40J-32-24	51	2"	32	1.1/2"	122,3	4,81	60,3	2,37	39,4	1,55
AX40J-32-32	51	2"	32	2"	142,3	5,60	71,4	2,81	53,0	2,09
AX40J-32-40	51	2"	32	2.1/2"	164,0	6,46	84,1	3,31	61,0	2,40
AX40J-40-40	63	2.1/2"	40	2.1/2"	134,4	5,29	84,1	3,31	49,0	1,93
AX40J-40-48	63	2.1/2"	40	3"	137,9	5,43	101,6	4,00	52,5	2,07
AX40J-48-48-57	76	3"	48	3"	145,9	5,74	101,6	4,00	57,6	2,27

AX60J

SAE 3000 code 61 - 60° elbow flange

NO SKIVE

ISO 6162-1 / SAE J518-1



J

FITTINGS

- NPTF
- JIC
- ORFS
- SAE
- JIS
- BSP-BSPT
- METRIC

SAE 3000 CODE 61

- SAE 6000 CODE 62
- TAPERED SAE
- SUPERCAT STYLE
- STAPLE LOCK
- H.P. STAPLE LOCK
- LOK-IT

code	ø hose			flange	A		C		D	
	dn	inch	size		mm	in	mm	in	mm	in
AX60J-08-08	12	1/2"	08	1/2"	70,7	2,78	30,2	1,19	30,0	1,18
AX60J-08-12	12	1/2"	08	3/4"	73,2	2,88	38,1	1,50	34,5	1,36
AX60J-12-12	19	3/4"	12	3/4"	69,3	2,73	38,1	1,50	38,3	1,51
AX60J-12-16	19	3/4"	12	1"	66,5	2,62	44,5	1,75	39,6	1,56
AX60J-12-20	19	3/4"	12	1.1/4"	76,5	3,01	50,8	2,00	42,0	1,65
AX60J-16-16	25	1"	16	1"	78,7	3,10	44,5	1,75	40,0	1,58
AX60J-16-20	25	1"	16	1.1/4"	84,0	3,31	50,8	2,00	40,0	1,57
AX60J-20-20	31	1.1/4"	20	1.1/4"	94,6	3,72	50,8	2,00	43,9	1,73
AX60J-20-24	31	1.1/4"	20	1.1/2"	97,8	3,85	60,3	2,37	43,8	1,72
AX60J-24-24	38	1.1/2"	24	1.1/2"	114,0	4,49	60,3	2,37	52,0	2,05
AX60J-24-32	38	1.1/2"	24	2"	114,0	4,49	71,4	2,81	55,3	2,18
AX60J-32-32	51	2"	32	2"	157,3	6,19	71,4	2,81	76,0	2,99
AX60J-40-40	63	2.1/2"	40	2.1/2"	138,3	5,44	84,1	3,31	73,4	2,89
AX60J-40-48	63	2.1/2"	40	3"	138,3	5,44	101,6	4,00	73,4	2,89
AX60J-48-48-83	76	3"	48	3"	152	5,98	101,6	4,00	83,0	3,27

For multispiral and wire braid hoses

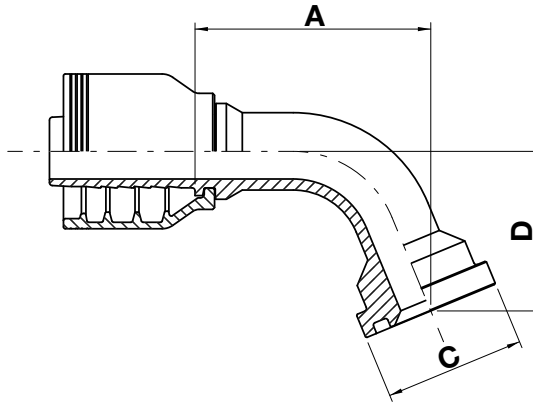
J

AX70J

SAE 3000 code 61 - 67,5° elbow flange

NO SKIVE

ISO 6162-1 / SAE J518-1



FITTINGS

- NPTF
- JIC
- ORFS
- SAE
- JIS
- BSP-BSPT
- METRIC
- SAE 3000 CODE 61**
- SAE 6000 CODE 62
- TAPERED SAE
- SUPERCAT STYLE
- STAPLE LOCK
- H.P. STAPLE LOCK
- LOK-IT

code	ø hose			flange	A		C		D	
	dn	inch	size		mm	in	mm	in	mm	in
AX70J-08-08	12	1/2"	08	1/2"	66,2	2,61	30,2	1,19	34,0	1,34
AX70J-08-12	12	1/2"	08	3/4"	68,2	2,69	30,2	1,19	38,8	1,53
AX70J-12-12	19	3/4"	12	3/4"	64,0	2,52	38,1	1,50	43,3	1,70
AX70J-12-16	19	3/4"	12	1"	64,5	2,54	44,5	1,75	44,7	1,76
AX70J-16-16	25	1"	16	1"	76,0	2,99	44,5	1,75	46,0	1,81
AX70J-16-20	25	1"	16	1.1/4"	81,0	3,19	50,8	2,00	45,6	1,80
AX70J-20-20	31	1.1/4"	20	1.1/4"	93,5	3,68	50,8	2,00	50,3	1,98
AX70J-20-24	31	1.1/4"	20	1.1/2"	95,6	3,76	60,3	2,37	50,2	1,98
AX70J-24-24	38	1.1/2"	24	1.1/2"	108,5	4,27	60,3	2,37	59,5	2,34
AX70J-24-32	38	1.1/2"	24	2"	111,0	4,37	71,4	2,81	63,0	2,48
AX70J-32-32	51	2"	32	2"	155,3	6,11	71,4	2,81	87,5	3,44
AX70J-40-40	63	2.1/2"	40	2.1/2"	140,4	5,53	84,1	3,31	86,3	3,40
AX70J-40-48	63	2.1/2"	40	3"	140,4	5,53	101,6	4,00	86,3	3,40
AX70J-48-48-98	76	3"	48	3"	154,7	6,09	101,6	4,0	98,0	3,86

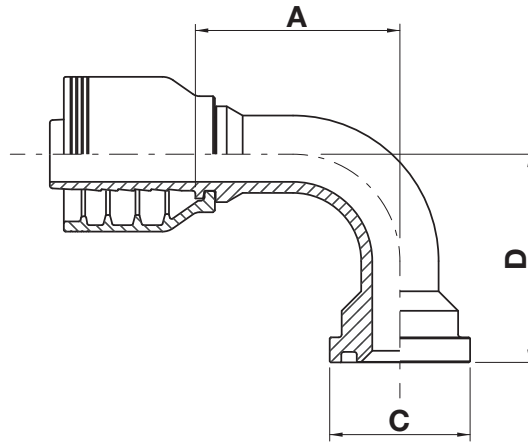
AX90J

J

SAE 3000 code 61 - 90° elbow flange

NO SKIVE

ISO 6162-1 / SAE J518-1



FITTING

NPTF

JIC

ORFS

SAE

JIS

BSP-BSPT

METRIC

SAE 3000 CODE 61

SAE 6000 CODE 62

TAPERED SAE

SUPERCAT STYLE

STAPLE LOCK

H.P. STAPLE LOCK

LOK-IT

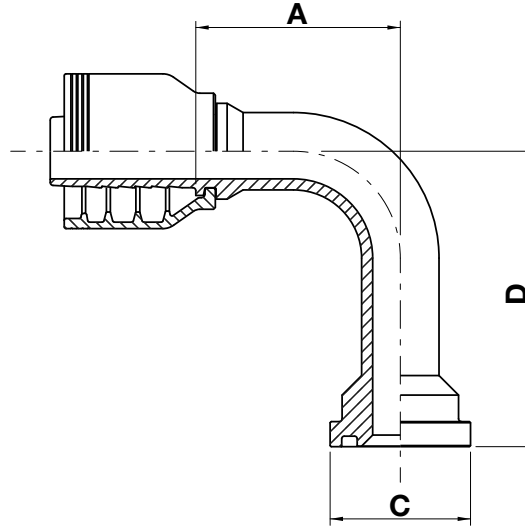
code	ø hose			flange	A		C		D	
	dn	inch	size		mm	in	mm	in	mm	in
AX90J-08-08	12	1/2"	08	1/2"	46,5	1,83	30,2	1,19	45,0	1,77
AX90J-08-12	12	1/2"	08	3/4"	49,0	2,00	38,1	1,50	49,5	1,95
AX90J-10-12	16	5/8"	10	3/4"	55,5	2,19	38,1	1,50	55,0	2,17
AX90J-12-12	19	3/4"	12	3/4"	55,5	2,19	38,1	1,50	56,5	2,22
AX90J-12-16	19	3/4"	12	1"	55,5	2,19	44,5	1,75	58,0	2,28
AX90J-12-20	19	3/4"	12	1.1/4"	62,2	2,45	50,8	2,00	62,0	2,44
AX90J-16-16	25	1"	16	1"	70,0	2,76	44,5	1,75	61,0	2,40
AX90J-16-20	25	1"	16	1.1/4"	69,9	2,75	50,8	2,00	61,0	2,40
AX90J-16-24	25	1"	16	1.1/2"	79,0	3,11	60,3	2,37	73,0	2,87
AX90J-20-16	31	1.1/4"	20	1"	102,0	4,02	44,5	1,75	93,0	3,66
AX90J-20-20	31	1.1/4"	20	1.1/4"	87,0	3,43	50,8	2,00	69,2	2,72
AX90J-20-24	31	1.1/4"	20	1.1/2"	85,0	3,35	60,3	2,37	69,2	2,72
AX90J-24-24	38	1.1/2"	24	1.1/2"	104,0	4,09	60,3	2,37	81,0	3,19
AX90J-24-32	38	1.1/2"	24	2"	102,0	4,02	71,4	2,81	85,0	3,35
AX90J-32-24	51	2"	32	1.1/2"	115,0	4,53	60,4	2,38	81,0	3,19
AX90J-32-32	51	2"	32	2"	132,3	5,21	71,4	2,81	123,0	4,84
AX90J-32-40	51	2"	32	2.1/2"	151,0	5,94	84,1	3,31	132,0	5,20
AX90J-40-40	63	2.1/2"	40	2.1/2"	136,2	5,36	84,1	3,31	125,0	4,92
AX90J-40-48	63	2.1/2"	40	3"	136,2	5,36	101,6	4,00	125,0	4,92
AX90J-40-48	76	3"	48	3"	132,7	5,22	101,6	4,00	114,0	4,49



SAE 3000 code 61 - 90° elbow flange (long drop)

NO SKIVE

ISO 6162-1 / SAE J518-1



FITTINGS

- NPTF
- JIC
- ORFS
- SAE
- JIS
- BSP-BSPT
- METRIC
- SAE 3000 CODE 61**
- SAE 6000 CODE 62
- TAPERED SAE
- SUPERCAT STYLE
- STAPLE LOCK
- H.P. STAPLE LOCK
- LOK-IT

code	ø hose			flange	A		C		D	
	dn	inch	size		mm	in	mm	in	mm	in
AX90J-12-12-95	19	3/4"	12	3/4"	62,2	2,45	38,1	1,50	95,0	3,74
AX90J-12-12-100	19	3/4"	12	3/4"	62,2	2,45	38,1	1,50	100,0	3,94
AX90J-12-12-125	19	3/4"	12	3/4"	62,2	2,45	38,1	1,50	125,0	4,92
AX90J-12-16-100	19	3/4"	12	1"	61,2	2,41	44,5	1,75	100,0	3,94
AX90J-12-16-120	19	3/4"	12	1"	61,2	2,41	44,5	1,75	120,0	4,72
AX90J-16-16-120	25	1"	16	1"	79,0	3,11	44,5	1,75	120,0	4,72
AX90J-16-20-120	25	1"	16	1.1/4"	75,0	2,95	50,8	2,00	120,0	4,72
AX90J-20-20-100	31	1.1/4"	20	1.1/4"	87,0	3,43	50,8	2,00	100,0	3,94
AX90J-20-20-120	31	1.1/4"	20	1.1/4"	87,0	3,43	50,8	2,00	120,0	4,72
AX90J-20-20-130	31	1.1/4"	20	1.1/4"	87,0	3,43	50,8	2,00	130,0	5,12
AX90J-20-20-170	31	1.1/4"	20	1.1/4"	87,0	3,43	50,8	2,00	170,0	6,69
AX90J-20-24-117	31	1.1/4"	20	1.1/2"	89,0	3,50	60,3	2,37	117,0	4,61
AX90J-20-24-130	31	1.1/4"	20	1.1/2"	87,0	3,43	60,3	2,37	130,0	5,12
AX90J-20-24-170	31	1.1/4"	20	1.1/2"	89,0	3,50	60,3	2,37	170,0	6,69
AX90J-24-24-150	38	1.1/2"	24	1.1/2"	104,0	4,09	60,3	2,37	150,0	5,91
AX90J-24-24-170	38	1.1/2"	24	1.1/2"	104,0	4,09	60,3	2,37	170,0	6,69
AX90J-24-32-114	38	1.1/2"	24	2"	106,0	4,17	71,4	2,81	114,0	4,49
AX90J-32-24-120	51	2"	32	1.1/2"	115,0	4,53	60,3	2,37	120,0	4,72
AX90J-32-24-220	51	2"	32	1.1/2"	115,0	4,53	60,3	2,37	220,0	8,66



For multispiral and wire braid hoses

← **AX90J-L**

J

NO SKIVE

code	ø hose			flange	A		C		D	
	dn	inch	size		mm	in	mm	in	mm	in
AX90J-32-32-165	51	2"	32	2"	143,0	5,63	71,4	2,81	165,0	6,50
AX90J-32-32-203	51	2"	32	2"	132,3	5,21	71,4	2,81	203,0	7,99
AX90J-40-32-121	63	2.1/2"	40	2"	117,0	4,60	71,4	2,81	121,0	4,76
AX90J-48-48-145	76	3"	48	3"	151,8	5,98	101,6	4,00	145,0	5,71

FITTINGS

- NPTF
- JIC
- ORFS
- SAE
- JIS
- BSP-BSPT
- METRIC
- SAE 3000 CODE 61**
- SAE 6000 CODE 62
- TAPERED SAE
- SUPERCAT STYLE
- STAPLE LOCK
- H.P. STAPLE LOCK
- LOK-IT



For multispiral and wire braid hoses

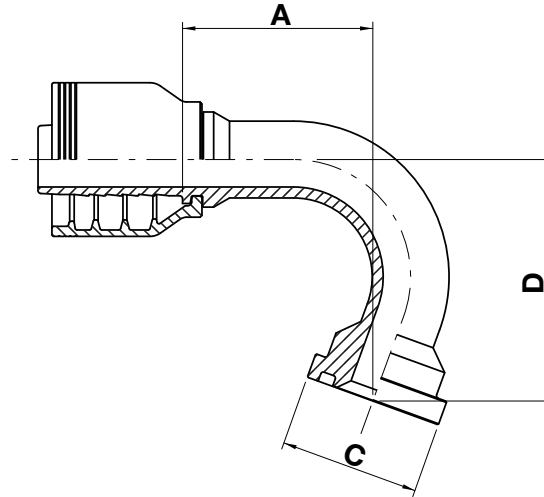
J

AX110J

SAE 3000 code 61 - 110° elbow flange

NO SKIVE

ISO 6162-1 / SAE J518-1



FITTINGS

- NPTF
- JIC
- ORFS
- SAE
- JIS
- BSP-BSPT
- METRIC
- SAE 3000 CODE 61**
- SAE 6000 CODE 62
- TAPERED SAE
- SUPERCAT STYLE
- STAPLE LOCK
- H.P. STAPLE LOCK
- LOK-IT

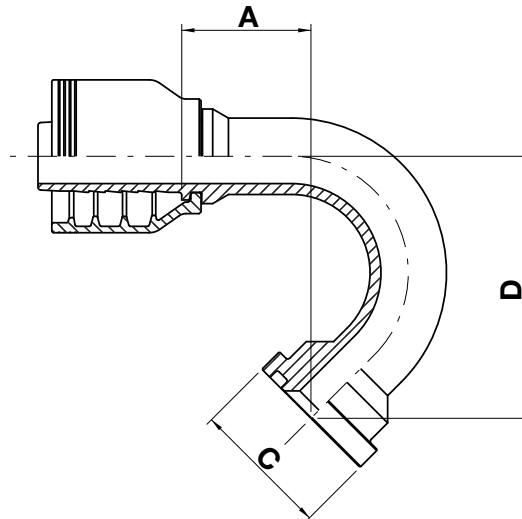
code	ø hose			flange	A		C		D	
	dn	inch	size		mm	in	mm	in	mm	in
AX110J-12-12	19	3/4"	12	3/4"	52,0	2,05	38,1	1,50	66,0	2,60
AX110J-16-16	25	1"	16	1"	84,0	3,31	44,5	1,75	78,0	3,07
AX110J-16-20-133	25	1"	16	1.1/4"	42,3	1,66	50,8	2,00	133,0	5,24
AX110J-20-20	31	1.1/4"	20	1.1/4"	76,0	2,99	50,8	2,00	81,5	3,21
AX110J-20-24	31	1.1/4"	20	1.1/2"	76,0	2,99	60,3	2,37	81,5	3,21
AX110J-24-24	38	1.1/2"	24	1.1/2"	90,0	3,54	60,3	2,37	96,2	3,79
AX110J-24-24-118	38	1.1/2"	24	1.1/2"	82,5	3,25	60,3	2,37	118,0	4,65
AX110J-32-24	51	2"	32	1.1/2"	105,0	4,13	60,3	2,37	96,2	3,79
AX110J-32-32	51	2"	32	2"	118,8	4,68	71,4	2,81	145,0	5,71

AX135J

SAE 3000 code 61 - 135° elbow flange

NO SKIVE

ISO 6162-1 / SAE J518-1



J

FITTINGS

- NPTF
- JIC
- ORFS
- SAE
- JIS
- BSP-BSPT
- METRIC

SAE 3000 CODE 61

- SAE 6000 CODE 62
- TAPERED SAE
- SUPERCAT STYLE
- STAPLE LOCK
- H.P. STAPLE LOCK
- LOK-IT

code	ø hose			flange	A		C		D	
	dn	inch	size		mm	in	mm	in	mm	in
AX135J-12-12	19	3/4"	12	3/4"	35,5	1,40	38,1	1,50	72,0	2,83
AX135J-16-16	25	1"	16	1"	73,7	2,90	44,5	1,75	87,3	3,44
AX135J-20-20	31	1.1/4"	20	1.1/4"	79,5	3,13	50,8	2,00	89,0	3,50
AX135J-24-24	38	1.1/2"	24	1.1/2"	83,0	3,27	60,3	2,37	110,0	4,33
AX135J-32-32	51	2"	32	2"	104,0	4,10	71,4	2,81	160,0	6,30

For multispiral and wire braid hoses

AY10J

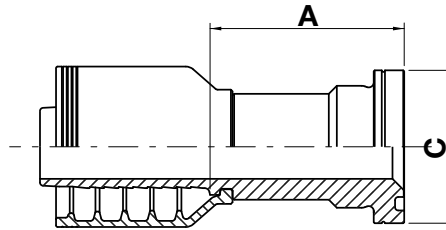
SAE 6000 code 62 straight flange

NO SKIVE

ISO 6162-2 / SAE J518-2

FITTINGS

NPTF
 JIC
 ORFS
 SAE
 JIS
 BSP-BSPT
 METRIC
 SAE 3000 CODE 61
SAE 6000 CODE 62
 TAPERED SAE
 SUPERCAT STYLE
 STAPLE LOCK
 H.P. STAPLE LOCK
 LOK-IT



code	ø hose			flange	A		C	
	dn	inch	size		mm	in	mm	in
AY10J-08-08	12	1/2"	08	1/2"	46,0	1,81	31,7	1,25
AY10J-08-12	12	1/2"	08	3/4"	43,8	1,72	41,3	1,63
AY10J-10-08	16	5/8"	10	1/2"	42,5	1,67	31,7	1,25
AY10J-10-12	16	5/8"	10	3/4"	43,0	1,69	41,3	1,63
AY10J-12-12	19	3/4"	12	3/4"	43,5	1,71	41,3	1,63
AY10J-12-16	19	3/4"	12	1"	59,0	2,32	47,6	1,88
AY10J-16-12	25	1"	16	3/4"	56,0	2,2	41,3	1,63
AY10J-16-16	25	1"	16	1"	60,5	2,38	47,6	1,88
AY10J-16-20	25	1"	16	1.1/4"	67,5	2,66	54,0	2,13
AY10J-20-16	31	1.1/4"	20	1"	67,5	2,66	47,6	1,87
AY10J-20-20	31	1.1/4"	20	1.1/4"	72,0	2,83	54,0	2,13
AY10J-20-24	31	1.1/4"	20	1.1/2"	81,5	3,21	63,5	2,50
AY10J-24-20	38	1.1/2"	24	1.1/4"	70,0	2,76	54,0	2,13
AY10J-24-24	38	1.1/2"	24	1.1/2"	76,0	2,99	63,5	2,50
AY10J-24-32	38	1.1/2"	24	2"	78,0	3,07	79,4	3,13
AY10J-32-32	51	2"	32	2"	88,5	3,48	79,4	3,13
AY10J-40-40	63	2.1/2"	40	2.1/2"	131,0	5,16	107,7	4,24
AY10J-48-48	76	3"	48	3"	222,5	8,76	131,7	5,19

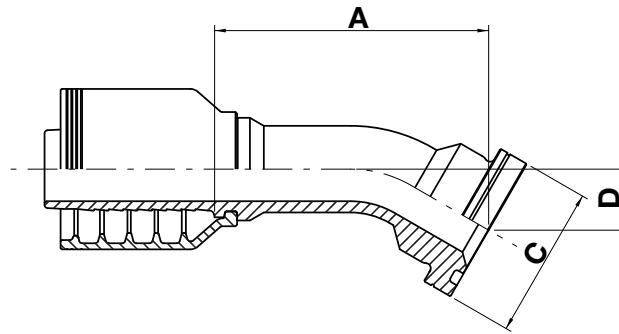
For multispiral and wire braid hoses

AY30J

SAE 6000 code 62 - 30° elbow flange

NO SKIVE

ISO 6162-2 / SAE J518-2



J

FITTINGS

- NPTF
- JIC
- ORFS
- SAE
- JIS
- BSP-BSPT
- METRIC
- SAE 3000 CODE 61
- SAE 6000 CODE 62**
- TAPERED SAE
- SUPERCAT STYLE
- STAPLE LOCK
- H.P. STAPLE LOCK
- LOK-IT

code	ø hose			flange	A		C		D	
	dn	inch	size		mm	in	mm	in	mm	in
AY30J-16-16	25	1"	16	1"	90,0	3,54	47,6	1,87	19,0	0,75
AY30J-16-20	25	1"	16	1,1/4"	101,0	3,98	54,0	2,13	25,0	0,98
AY30J-20-20	31	1.1/4"	20	1.1/4"	124,5	4,90	54,0	2,13	27,1	1,07
AY30J-24-24	38	1.1/2"	24	1.1/2"	119,5	4,70	60,3	2,37	29,0	1,14
AY30J-32-32	51	2"	32	2"	160,5	6,32	79,4	3,13	39,0	1,54

For multispiral and wire braid hoses

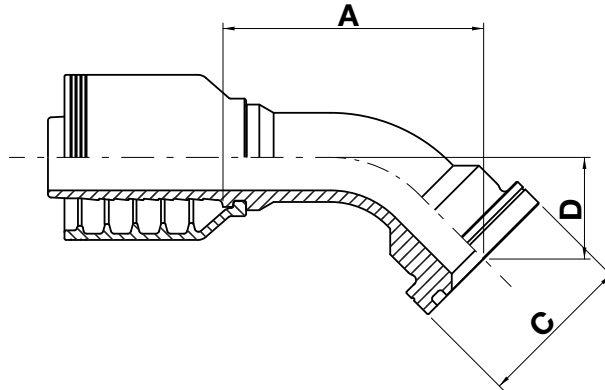
J

AY40J

SAE 6000 code 62 - 45° elbow flange

NO SKIVE

ISO 6162-2 / SAE J518-2



FITTINGS

NPTF
JIC
ORFS
SAE
JIS
BSP-BSPT
METRIC
SAE 3000 CODE 61
SAE 6000 CODE 62
TAPERED SAE
SUPERCAT STYLE
STAPLE LOCK
H.P. STAPLE LOCK
LOK-IT

code	ø hose			flange	A		C		D	
	dn	inch	size		mm	in	mm	in	mm	in
AY40J-08-08	12	1/2"	08	1/2"	56,0	2,20	31,7	1,25	23,3	0,92
AY40J-08-12	12	1/2"	08	3/4"	66,5	2,62	41,3	1,63	30,0	1,18
AY40J-10-08	16	5/8"	10	1/2"	70,0	2,75	31,7	1,25	24,8	0,97
AY40J-10-12	16	5/8"	10	3/4"	68,0	2,68	41,3	1,63	29,0	1,14
AY40J-12-12	19	3/4"	12	3/4"	68,7	2,70	41,3	1,63	27,9	1,10
AY40J-12-16	19	3/4"	12	1"	74,7	2,94	47,6	1,90	33,9	1,33
AY40J-16-12	25	1"	16	3/4"	86,0	3,38	41,3	1,63	31,8	1,25
AY40J-16-16	25	1"	16	1"	78,9	3,11	47,6	1,88	30,8	1,21
AY40J-16-20	25	1"	16	1.1/4"	92,0	3,62	54,0	2,13	39,0	1,54
AY40J-20-16	31	1.1/4"	20	1"	115,5	4,55	47,6	1,90	38,1	1,50
AY40J-20-20	31	1.1/4"	20	1.1/4"	115,5	4,55	54,0	2,13	43,8	1,72
AY40J-20-24	31	1.1/4"	20	1.1/2"	117,5	4,63	63,5	2,50	48,0	1,89
AY40J-24-20	38	1.1/2"	24	1.1/4"	114,2	4,50	54,0	2,13	43,8	1,72
AY40J-24-24	38	1.1/2"	24	1.1/2"	126,0	4,96	63,5	2,50	47,4	1,87
AY40J-24-32	38	1.1/2"	24	2"	133,8	5,27	79,4	3,13	57,7	2,27
AY40J-32-24	51	2"	32	1.1/2"	150,4	5,92	63,5	2,50	47,4	1,87
AY40J-32-32	51	2"	32	2"	169,0	6,65	79,4	3,13	64,0	2,52

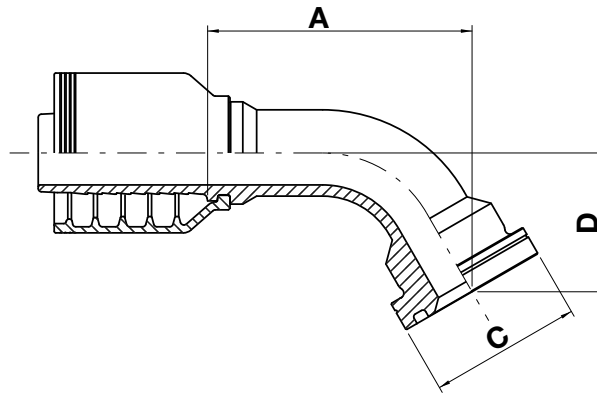
For multispiral and wire braid hoses

AY60J

SAE 6000 code 62 - 60° elbow flange

NO SKIVE

ISO 6162-2 / SAE J518-2



J

- FITTINGS**
- NPTF
 - JIC
 - ORFS
 - SAE
 - JIS
 - BSP-BSPT
 - METRIC
 - SAE 3000 CODE 61
 - SAE 6000 CODE 62**
 - TAPERED SAE
 - SUPERCAT STYLE
 - STAPLE LOCK
 - H.P. STAPLE LOCK
 - LOK-IT

code	ø hose			flange	A		C		D	
	dn	inch	size		mm	in	mm	in	mm	in
AY60J-16-16	25	1"	16	3/4"	101,4	3,99	47,6	1,88	43,4	1,71
AY60J-16-20	25	1"	16	1.1/4"	93,3	3,67	54,0	2,13	54,7	2,15
AY60J-20-20	31	1.1/4"	20	1.1/4"	112,5	4,43	54,0	2,13	55,1	2,17
AY60J-24-24	38	1.1/2"	24	1.1/2"	132,0	5,19	63,5	2,50	67,0	2,64
AY60J-32-32	51	2"	32	2"	170,6	6,72	79,4	3,13	90,0	3,54

For multispiral and wire braid hoses

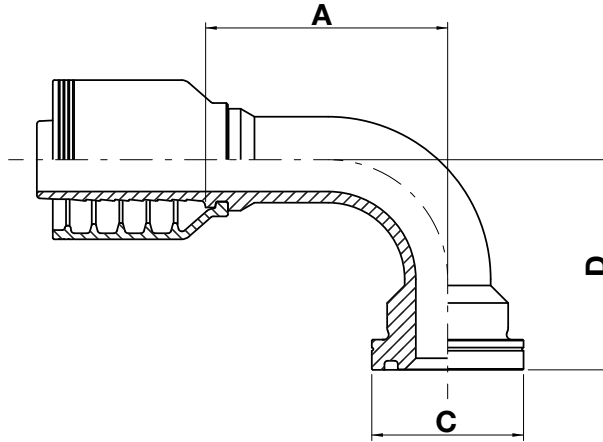
J

AY90J

SAE 6000 code 62 - 90° elbow flange

NO SKIVE

ISO 6162-2 / SAE J518-2



FITTING

- NPTF
- JIC
- ORFS
- SAE
- JIS
- BSP-BSPT
- METRIC
- SAE 3000 CODE 61
- SAE 6000 CODE 62**
- TAPERED SAE
- SUPERCAT STYLE
- STAPLE LOCK
- H.P. STAPLE LOCK
- LOK-IT

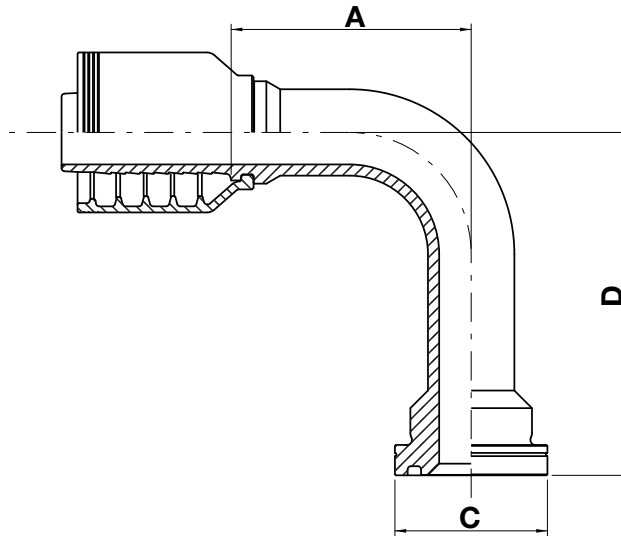
code	ø hose			flange	A		C		D	
	dn	inch	size		mm	in	mm	in	mm	in
AY90J-08-08	12	1/2"	08	1/2"	49,7	1,96	31,7	1,25	47,0	1,85
AY90J-08-12	12	1/2"	08	3/4"	46,2	1,82	41,3	1,63	56,0	2,20
AY90J-10-08	16	5/8"	10	1/2"	55,0	2,16	31,7	1,25	52,0	2,05
AY90J-10-12	16	5/8"	10	3/4"	53,5	2,11	41,3	1,63	58,0	2,28
AY90J-12-12	19	3/4"	12	3/4"	55,5	2,19	41,3	1,63	56,5	2,22
AY90J-12-16	19	3/4"	12	1"	55,5	2,19	47,6	1,88	65,0	2,56
AY90J-16-16	25	1"	16	1"	76,0	2,99	47,6	1,88	66,0	2,60
AY90J-16-20	25	1"	16	1.1/4"	78,0	3,07	54,0	2,13	80,5	3,17
AY90J-20-16	31	1.1/4"	20	1"	104,0	4,09	47,6	1,87	85,0	3,35
AY90J-20-20	31	1.1/4"	20	1.1/4"	104,0	4,09	54,0	2,13	86,0	3,39
AY90J-20-24	31	1.1/4"	20	1.1/2"	104,2	4,10	63,5	2,50	98,0	3,86
AY90J-24-24	38	1.1/2"	24	1.1/2"	111,0	4,37	63,5	2,50	104,0	4,09
AY90J-24-32	38	1.1/2"	24	2"	113,0	4,45	79,4	3,13	119,5	4,70
AY90J-32-32	51	2"	32	2"	149,3	5,88	79,4	3,13	134,0	5,28

AY90J-L

SAE 6000 code 62 - 90° elbow flange (long drop)

NO SKIVE

ISO 6162-2 / SAE J518-2



J

FITTINGS

- NPTF
- JIC
- ORFS
- SAE
- JIS
- BSP-BSPT
- METRIC
- SAE 3000 CODE 61
- SAE 6000 CODE 62**
- TAPERED SAE
- SUPERCAT STYLE
- STAPLE LOCK
- H.P. STAPLE LOCK
- LOK-IT

code	ø hose			flange	A		C		D	
	dn	inch	size		mm	in	mm	in	mm	in
AY90J-16-16-120	25	1"	16	1"	75,0	2,95	47,6	1,9	120,0	4,72
AY90J-16-20-120	25	1"	16	1.1/4"	78,5	3,09	54,0	2,13	120,0	4,72
AY90J-20-20-130	31	1.1/4"	20	1.1/4"	104,0	4,09	54,0	2,13	130,0	5,12
AY90J-20-20-150	31	1.1/4"	20	1.1/4"	104,0	4,09	54,0	2,13	150,0	5,91

AY13J

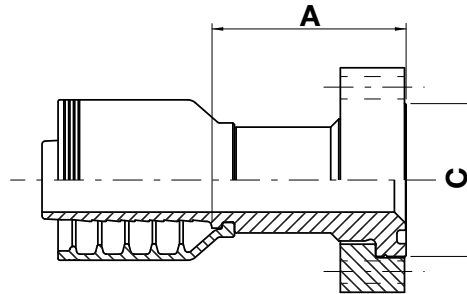
SAE 6000 code 62 straight flange and captive pre-assembled counterflange

NO SKIVE

ISO 6162-2 / SAE J518-2

FITTINGS

- NPTF
- JIC
- ORFS
- SAE
- JIS
- BSP-BSPT
- METRIC
- SAE 3000 CODE 61
- SAE 6000 CODE 62**
- TAPERED SAE
- SUPERCAT STYLE
- STAPLE LOCK
- H.P. STAPLE LOCK
- LOK-IT



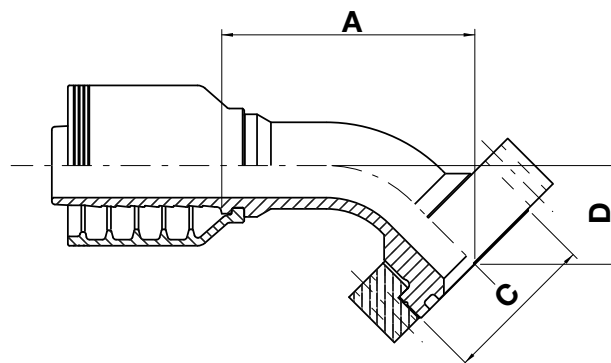
code	ø hose			flange	A		C	
	dn	inch	size		mm	in	mm	in
AY13J-08-08	12	1/2"	08	1/2"	46,0	1,81	31,7	1,25
AY13J-08-12	12	1/2"	08	3/4"	43,8	1,72	41,3	1,63
AY13J-10-08	16	5/8"	10	1/2"	42,5	1,67	31,7	1,25
AY13J-10-12	16	5/8"	10	3/4"	43,0	1,69	41,3	1,63
AY13J-12-12	19	3/4"	12	3/4"	43,5	1,71	41,3	1,63
AY13J-12-16	19	3/4"	12	1"	59,0	2,32	47,6	1,88
AY13J-16-12	25	1"	16	3/4"	56,0	2,2	41,3	1,63
AY13J-16-16	25	1"	16	1"	60,5	2,38	47,6	1,88
AY13J-16-20	25	1"	16	1.1/4"	67,5	2,66	54,0	2,13
AY13J-20-16	31	1.1/4"	20	1"	67,5	2,66	47,6	1,87
AY13J-20-20	31	1.1/4"	20	1.1/4"	72,0	2,83	54,0	2,13
AY13J-20-24	31	1.1/4"	20	1.1/2"	81,5	3,21	63,5	2,50
AY13J-24-20	38	1.1/2"	24	1.1/4"	70,0	2,76	54,0	2,13
AY13J-24-24	38	1.1/2"	24	1.1/2"	76,0	2,99	63,5	2,50
AY13J-24-32	38	1.1/2"	24	2"	78,0	3,07	79,4	3,13
AY13J-32-32	51	2"	32	2"	88,5	3,48	79,4	3,13
AY13J-40-40	63	2.1/2"	40	2.1/2"	131,0	5,16	107,7	4,24
AY13J-48-48	76	3"	48	3"	222,5	8,76	131,7	5,19

AY43J

SAE 6000 code 62 - 45° elbow flange and captive pre-assembled counterflange

NO SKIVE

ISO 6162-2 / SAE J518-2



J

FITTINGS

- NPTF
- JIC
- ORFS
- SAE
- JIS
- BSP-BSPT
- METRIC
- SAE 3000 CODE 61
- SAE 6000 CODE 62**
- TAPERED SAE
- SUPERCAT STYLE
- STAPLE LOCK
- H.P. STAPLE LOCK
- LOK-IT

code	ø hose			flange	A		C		D	
	dn	inch	size		mm	in	mm	in	mm	in
AY43J-08-08	12	1/2"	08	1/2"	56,0	2,20	31,7	1,25	23,3	0,92
AY43J-08-12	12	1/2"	08	3/4"	66,5	2,62	41,3	1,63	30,0	1,18
AY43J-10-08	16	5/8"	10	1/2"	70,0	2,75	31,7	1,25	24,8	0,97
AY43J-10-12	16	5/8"	10	3/4"	68,0	2,68	41,3	1,63	29,0	1,14
AY43J-12-12	19	3/4"	12	3/4"	68,7	2,70	41,3	1,63	27,9	1,10
AY43J-12-16	19	3/4"	12	1"	74,7	2,94	47,6	1,90	33,9	1,33
AY43J-16-12	25	1"	16	3/4"	86,0	3,38	41,3	1,63	31,8	1,25
AY43J-16-16	25	1"	16	1"	78,9	3,11	47,6	1,88	30,8	1,21
AY43J-16-20	25	1"	16	1.1/4"	92,0	3,62	54,0	2,13	39,0	1,54
AY43J-20-16	31	1.1/4"	20	1"	115,5	4,55	47,6	1,90	38,1	1,50
AY43J-20-20	31	1.1/4"	20	1.1/4"	115,5	4,55	54,0	2,13	43,8	1,72
AY43J-20-24	31	1.1/4"	20	1.1/2"	117,5	4,63	63,5	2,50	48,0	1,89
AY43J-24-20	38	1.1/2"	24	1.1/4"	114,2	4,50	54,0	2,13	43,8	1,72
AY43J-24-24	38	1.1/2"	24	1.1/2"	126,0	4,96	63,5	2,50	47,4	1,87
AY43J-24-32	38	1.1/2"	24	2"	133,8	5,27	79,4	3,13	57,7	2,27
AY43J-32-24	51	2"	32	1.1/2"	150,4	5,92	63,5	2,50	47,4	1,87
AY43J-32-32	51	2"	32	2"	169,0	6,65	79,4	3,13	64,0	2,52

For multispiral and wire braid hoses

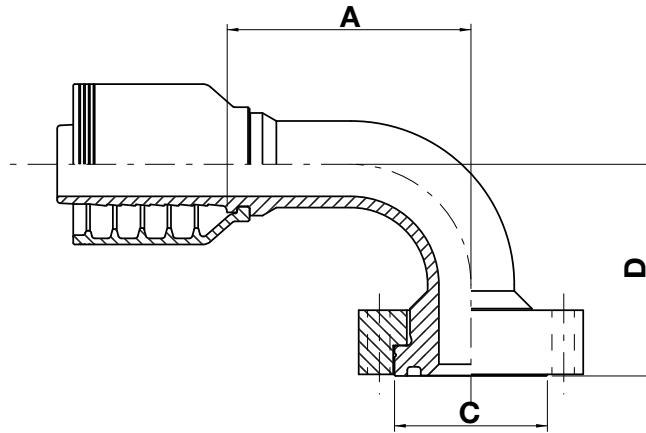
J

AY93J

SAE 6000 code 62 - 90° elbow flange and captive pre-assembled counterflange

NO SKIVE

ISO 6162-2 / SAE J518-2



FITTINGS

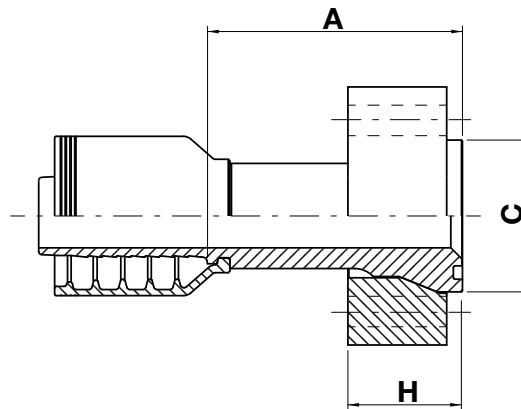
- NPTF
- JIC
- ORFS
- SAE
- JIS
- BSP-BSPT
- METRIC
- SAE 3000 CODE 61
- SAE 6000 CODE 62**
- TAPERED SAE
- SUPERCAT STYLE
- STAPLE LOCK
- H.P. STAPLE LOCK
- LOK-IT

code	ø hose			flange	A		C		D	
	dn	inch	size		mm	in	mm	in	mm	in
AY93J-08-08	12	1/2"	08	1/2"	49,7	1,96	31,7	1,25	47,0	1,85
AY93J-08-12	12	1/2"	08	3/4"	46,2	1,82	41,3	1,63	56,0	2,20
AY93J-10-08	16	5/8"	10	1/2"	55,0	2,16	31,7	1,25	52,0	2,05
AY93J-10-12	16	5/8"	10	3/4"	53,5	2,11	41,3	1,63	58,0	2,28
AY93J-12-12	19	3/4"	12	3/4"	55,5	2,19	41,3	1,63	56,5	2,22
AY93J-12-16	19	3/4"	12	1"	55,5	2,19	47,6	1,88	78,0	3,07
AY93J-16-16	25	1"	16	1"	76,0	2,99	47,6	1,88	66,0	2,60
AY93J-16-20	25	1"	16	1.1/4"	78,0	3,07	54,0	2,13	80,5	3,17
AY93J-20-16	31	1.1/4"	20	1"	104,0	4,09	47,6	1,87	85,0	3,35
AY93J-20-20	31	1.1/4"	20	1.1/4"	104,0	4,09	54,0	2,13	86,0	3,39
AY93J-20-24	31	1.1/4"	20	1.1/2"	104,2	4,10	63,5	2,50	98,0	3,86
AY93J-24-24	38	1.1/2"	24	1.1/2"	111,0	4,37	63,5	2,50	104,0	4,09
AY93J-24-32	38	1.1/2"	24	2"	113,0	4,45	79,4	3,13	119,5	4,70
AY93J-32-32	51	2"	32	2"	149,3	5,88	79,4	3,13	134,0	5,28

AL13J

Tapered SAE straight flange

NO SKIVE



J

FITTINGS

- NPTF
- JIC
- ORFS
- SAE
- JIS
- BSP-BSPT
- METRIC
- SAE 3000 CODE 61
- SAE 6000 CODE 62
- TAPERED SAE**
- SUPERCAT STYLE
- STAPLE LOCK
- H.P. STAPLE LOCK
- LOK-IT

code	ø hose			flange	A		C		H	
	dn	inch	size		mm	in	mm	in	mm	in
AL13J-16-16	25	1"	16	1"	80,0	3,15	47,6	1,87	36,0	1,42
AL13J-16-20	25	1"	16	1.1/4"	79,0	3,11	54,0	2,12	43,0	1,69
AL13J-20-20	32	1.1/4"	20	1.1/4"	82	3,23	54,0	2,12	43,0	1,69

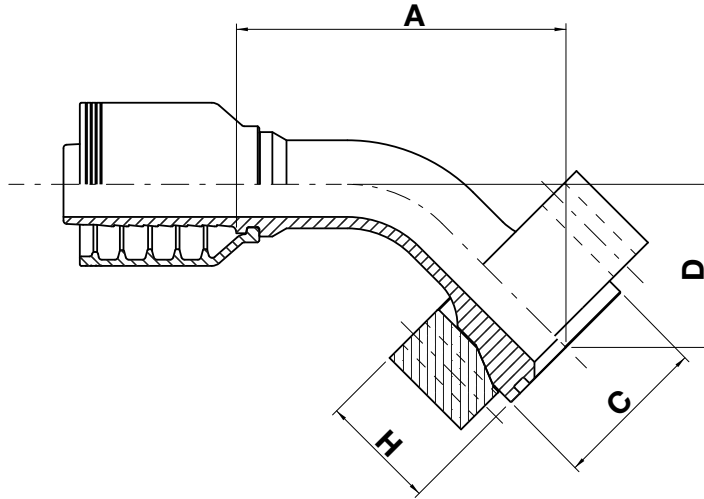
For multispiral and wire braid hoses

J

AL43J

Tapered SAE - 45° elbow flange

NO SKIVE



FITTINGS

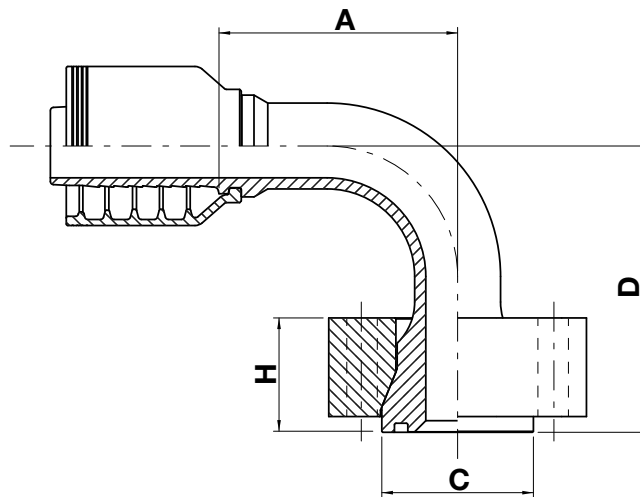
- NPTF
- JIC
- ORFS
- SAE
- JIS
- BSP-BSPT
- METRIC
- SAE 3000 CODE 61
- SAE 6000 CODE 62
- TAPERED SAE**
- SUPERCAT STYLE
- STAPLE LOCK
- H.P. STAPLE LOCK
- LOK-IT

code	ø hose			flange	A		D		C		H	
	dn	inch	size		mm	in	mm	in	mm	in	mm	in
AL43J-16-16	25	1"	16	1"	101,0	3,98	50,0	1,97	47,6	1,87	36,0	1,42
AL43J-16-20	25	1"	16	1.1/4"	104,0	4,09	50,0	1,97	54,0	2,12	43,0	1,69
AL43J-20-20	32	1.1/4"	20	1.1/4"	127,0	5,00	60,0	2,36	54,0	2,12	43,0	1,69

AL93J

Tapered SAE - 90° elbow flange

NO SKIVE



J

FITTINGS

- NPTF
- JIC
- ORFS
- SAE
- JIS
- BSP-BSPT
- METRIC
- SAE 3000 CODE 61
- SAE 6000 CODE 62
- TAPERED SAE**
- SUPERCAT STYLE
- STAPLE LOCK
- H.P. STAPLE LOCK
- LOK-IT

code	ø hose			flange	A		D		C		H	
	dn	inch	size		mm	in	mm	in	mm	in	mm	in
AL93J-16-16	25	1"	16	1"	75,0	2,95	90,0	3,54	47,6	1,87	36,0	1,42
AL93J-16-20	25	1"	16	1.1/4"	81,0	3,19	105,0	4,13	54,0	2,12	43,0	1,69
AL93J-20-20	32	1.1/4"	20	1.1/4"	98,0	3,86	120,0	4,74	54,0	2,12	43,0	1,69

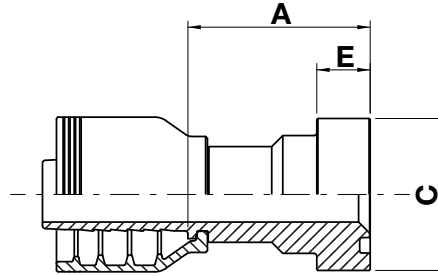
For multispiral and wire braid hoses

J

AY1CJ

“SUPERCAT” style straight flange

NO SKIVE



FITTINGS

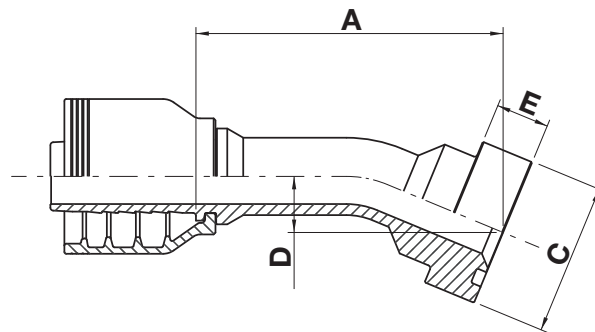
- NPTF
- JIC
- ORFS
- SAE
- JIS
- BSP-BSPT
- METRIC
- SAE 3000 CODE 61
- SAE 6000 CODE 62
- TAPERED SAE
- SUPERCAT STYLE**
- STAPLE LOCK
- H.P. STAPLE LOCK
- LOK-IT

code	ø hose			flange	A		C		E	
	dn	inch	size		mm	in	mm	in	mm	in
AY1CJ-12-12	19	3/4"	12	3/4"	49,5	1,95	41,3	1,63	14,5	0,57
AY1CJ-12-16	19	3/4"	12	1"	64,0	2,51	47,6	1,87	14,5	0,57
AY1CJ-16-16	25	1"	16	1"	65,5	2,58	47,6	1,88	14,5	0,57
AY1CJ-16-20	25	1"	16	1.1/4"	73,0	2,87	54,0	2,13	14,5	0,57
AY1CJ-20-20	31	1.1/4"	20	1.1/4"	76,0	2,99	54,0	2,13	14,5	0,57
AY1CJ-20-24	31	1.1/4"	20	1.1/2"	83,5	3,29	63,5	2,50	14,5	0,57
AY1CJ-24-24	38	1.1/2"	24	1.1/2"	78,0	3,07	63,5	2,50	14,5	0,57
AY1CJ-32-32	51	2"	32	2"	90,5	3,56	79,4	3,13	14,5	0,57

AY2CJ

“SUPERCAT” style - 22,5° elbow flange

NO SKIVE



J

-
- FITTING**
- NPTF
 - JIC
 - ORFS
 - SAE
 - JIS
 - BSP-BSPT
 - METRIC
 - SAE 3000 CODE 61
 - SAE 6000 CODE 62
 - TAPERED SAE
 - SUPERCAT STYLE**
 - STAPLE LOCK
 - H.P. STAPLE LOCK
 - LOK-IT

code	ø hose			flange	A		C		D		E	
	dn	inch	size		mm	in	mm	in	mm	in	mm	in
AY2CJ-12-12	19	3/4"	12	3/4"	83,4	3,28	41,3	1,63	15,2	0,60	14,5	0,57
AY2CJ-16-16	25	1"	16	1"	92,1	3,63	47,6	1,87	16,0	0,63	14,5	0,57
AY2CJ-16-20	25	1"	16	1.1/4"	106,4	4,19	54,0	2,13	19,8	0,78	14,5	0,57
AY2CJ-20-20	31	1.1/4"	20	1.1/4"	131,5	5,18	54,0	2,13	21,0	0,83	14,5	0,57
AY2CJ-20-24	31	1.1/4"	20	1.1/2"	133,0	5,24	63,5	2,50	22,0	0,87	14,5	0,57
AY2CJ-24-24	38	1.1/2"	24	1.1/2"	140,5	5,53	63,5	2,50	21,3	0,84	14,5	0,57
AY2CJ-32-32	51	2"	32	2"	154,6	6,09	79,4	3,13	28,5	1,12	14,5	0,57

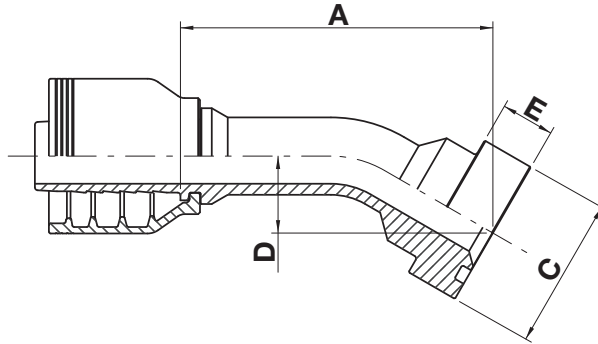
For multispiral and wire braid hoses

J

AY3CJ

“SUPERCAT” style - 30° elbow flange

NO SKIVE



FITTING

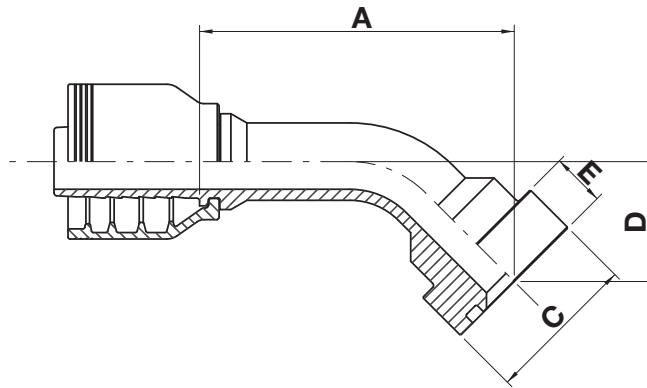
- NPTF
- JIC
- ORFS
- SAE
- JIS
- BSP-BSPT
- METRIC
- SAE 3000 CODE 61
- SAE 6000 CODE 62
- TAPERED SAE
- SUPERCAT STYLE**
- STAPLE LOCK
- H.P. STAPLE LOCK
- LOK-IT

code	ø hose			flange	A		C		D		E	
	dn	inch	size		mm	in	mm	in	mm	in	mm	in
AY3CJ-12-12	19	3/4"	12	3/4"	84,8	3,34	41,3	1,63	20,9	0,82	14,5	0,57
AY3CJ-16-16	25	1"	16	1"	89,7	3,53	47,6	1,87	22,0	0,87	14,5	0,57
AY3CJ-16-20	25	1"	16	1.1/4"	103,7	4,08	54,0	2,13	27,2	1,07	14,5	0,57
AY3CJ-20-20	31	1.1/4"	20	1.1/4"	128,5	5,06	54,0	2,13	29,0	1,14	14,5	0,57
AY3CJ-20-24	31	1.1/4"	20	1.1/2"	129,5	5,01	63,5	2,50	30,6	1,20	14,5	0,57
AY3CJ-24-24	38	1.1/2"	24	1.1/2"	137,0	5,39	63,5	2,50	29,5	1,18	14,5	0,57
AY3CJ-32-32	51	2"	32	2"	161,0	6,34	79,4	3,13	40,0	1,57	14,5	0,57

AY4CJ

“SUPERCAT” style - 45° elbow flange

NO SKIVE



J

-
- FITTING**
- NPTF
 - JIC
 - ORFS
 - SAE
 - JIS
 - BSP-BSPT
 - METRIC
 - SAE 3000 CODE 61
 - SAE 6000 CODE 62
 - TAPERED SAE
 - SUPERCAT STYLE**
 - STAPLE LOCK
 - H.P. STAPLE LOCK
 - LOK-IT

code	ø hose			flange	A		C		D		E	
	dn	inch	size		mm	in	mm	in	mm	in	mm	in
AY4CJ-12-12	19	3/4"	12	3/4"	85,4	3,36	41,3	1,63	32,5	1,27	14,5	0,57
AY4CJ-12-16	19	3/4"	12	1"	80,7	3,18	47,6	1,87	37,5	1,48	14,5	0,57
AY4CJ-16-16	25	1"	16	1"	82,2	3,24	47,6	1,87	35,0	1,38	14,5	0,57
AY4CJ-16-20	25	1"	16	1.1/4"	95,0	3,74	54,0	2,13	42,8	1,69	14,5	0,57
AY4CJ-20-16	31	1.1/4"	20	1"	119,0	4,69	47,6	1,87	41,7	1,64	14,5	0,57
AY4CJ-20-20	31	1.1/4"	20	1.1/4"	118,5	4,67	54,0	2,13	46,5	1,83	14,5	0,57
AY4CJ-20-24	31	1.1/4"	20	1.1/2"	119,0	4,69	63,5	2,50	48,8	1,92	14,5	0,57
AY4CJ-24-24	38	1.1/2"	24	1.1/2"	127,0	5,00	63,5	2,50	48,9	1,93	14,5	0,57
AY4CJ-32-32	51	2"	32	2"	169,0	6,66	79,4	3,13	65,3	2,57	14,5	0,57

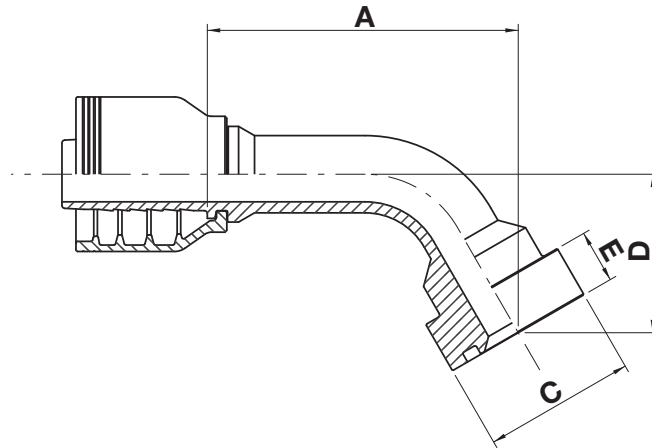
For multispiral and wire braid hoses

J

AY6CJ

“SUPERCAT” style - 60° elbow flange

NO SKIVE



FITTING

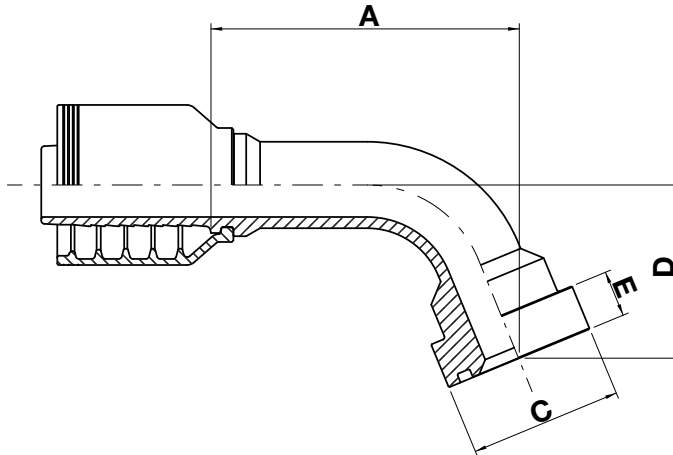
- NPTF
- JIC
- ORFS
- SAE
- JIS
- BSP-BSPT
- METRIC
- SAE 3000 CODE 61
- SAE 6000 CODE 62
- TAPERED SAE
- SUPERCAT STYLE**
- STAPLE LOCK
- H.P. STAPLE LOCK
- LOK-IT

code	ø hose			flange	A		C		D		E	
	dn	inch	size		mm	in	mm	in	mm	in	mm	in
AY6CJ-12-12	19	3/4"	12	3/4"	84,5	3,32	41,3	1,63	43,1	1,70	14,5	0,57
AY6CJ-16-16	25	1"	16	1"	103,0	4,05	47,6	1,87	48,0	1,89	14,5	0,57
AY6CJ-16-20	25	1"	16	1.1/4"	94,0	3,70	54,0	2,13	58,2	2,29	14,5	0,57
AY6CJ-20-20	31	1.1/4"	20	1.1/4"	114,5	4,51	54,0	2,13	59,0	2,32	14,5	0,57
AY6CJ-20-24	31	1.1/4"	20	1.1/2"	137,0	5,39	63,5	2,50	67,2	2,65	14,5	0,57
AY6CJ-24-24	38	1.1/2"	24	1.1/2"	157,0	6,18	63,5	2,50	68,7	2,70	14,5	0,57
AY6CJ-32-32	51	2"	32	2"	169,2	6,66	79,4	3,13	91,7	3,61	14,5	0,57

AY7CJ

“SUPERCAT” style - 67,5° elbow flange

NO SKIVE



J

- FITTINGS**
- NPTF
 - JIC
 - ORFS
 - SAE
 - JIS
 - BSP-BSPT
 - METRIC
 - SAE 3000 CODE 61
 - SAE 6000 CODE 62
 - TAPERED SAE
 - SUPERCAT STYLE**
 - STAPLE LOCK
 - H.P. STAPLE LOCK
 - LOK-IT

code	ø hose			flange	A		C		D		E	
	dn	inch	size		mm	in	mm	in	mm	in	mm	in
AY7CJ-12-12	19	3/4"	12	3/4"	82,3	3,24	41,3	1,63	48,4	1,90	14,5	0,57
AY7CJ-16-16	25	1"	16	1"	96,3	3,79	47,6	1,87	54,0	2,13	14,5	0,57
AY7CJ-16-20	25	1"	16	1.1/4"	88,0	3,46	54,0	2,13	64,0	2,52	14,5	0,57
AY7CJ-20-20	31	1.1/4"	20	1.1/4"	124,0	4,88	54,0	2,13	67,0	2,64	14,5	0,57
AY7CJ-20-24	31	1.1/4"	20	1.1/2"	128,0	5,04	63,5	2,50	76,1	3,00	14,5	0,57
AY7CJ-24-24	38	1.1/2"	24	1.1/2"	147,5	5,81	63,5	2,50	78,6	3,09	14,5	0,57
AY7CJ-32-32	51	2"	32	2"	167,2	6,58	79,4	3,13	104,8	4,13	14,5	0,57

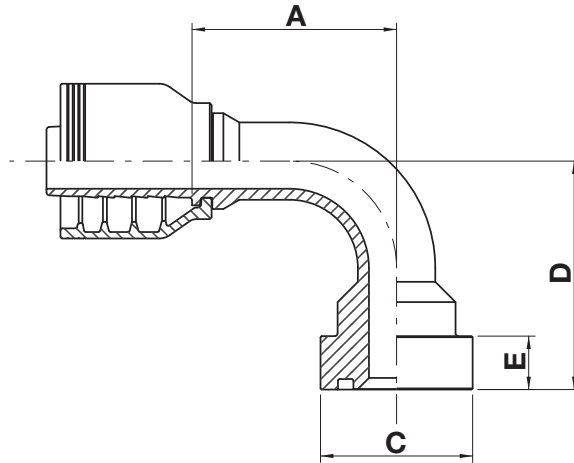
For multispiral and wire braid hoses

J

AY9CJ

“SUPERCAT” style - 90° elbow flange

NO SKIVE



FITTING

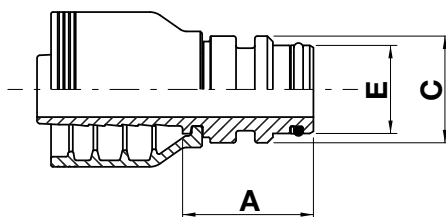
- NPTF
- JIC
- ORFS
- SAE
- JIS
- BSP-BSPT
- METRIC
- SAE 3000 CODE 61
- SAE 6000 CODE 62
- TAPERED SAE
- SUPERCAT STYLE**
- STAPLE LOCK
- H.P. STAPLE LOCK
- LOK-IT

code	ø hose			flange	A		C		D		E	
	dn	inch	size		mm	in	mm	in	mm	in	mm	in
AY9CJ-12-12	19	3/4"	12	3/4"	55,5	2,19	41,3	1,63	62,0	2,44	14,5	0,57
AY9CJ-12-12-156	19	3/4"	12	3/4"	62,5	2,46	41,3	1,63	155,7	6,12	14,5	0,57
AY9CJ-12-16	19	3/4"	12	1"	55,5	2,19	47,6	1,87	70,0	2,76	14,5	0,57
AY9CJ-16-16	25	1"	16	1"	75,6	2,98	47,6	1,87	71,0	2,80	14,5	0,57
AY9CJ-16-20	25	1"	16	1.1/4"	78,0	3,07	54,0	2,13	84,5	3,33	14,5	0,57
AY9CJ-20-20	31	1.1/4"	20	1.1/4"	104,0	4,09	54,0	2,13	90,0	3,54	14,5	0,57
AY9CJ-20-24	31	1.1/4"	20	1.1/2"	104,2	4,10	63,5	2,50	100,0	3,94	14,5	0,57
AY9CJ-24-24	38	1.1/2"	24	1.1/2"	111,0	4,37	63,5	2,50	106,0	4,17	14,5	0,57
AY9CJ-32-32	51	2"	32	2"	151,3	5,96	79,4	3,13	136,0	5,36	14,5	0,57

ST11J

Staple lock male

NO SKIVE



J

FITTINGS

- NPTF
- JIC
- ORFS
- SAE
- JIS
- BSP-BSPT
- METRIC
- SAE 3000 CODE 61
- SAE 6000 CODE 62
- TAPERED SAE
- SUPERCAT STYLE
- STAPLE LOCK**
- H.P. STAPLE LOCK
- LOK-IT

code	ø hose			A		C		E	
	dn	inch	size	mm	in	mm	in	mm	in
ST11J-06-06	10	3/8"	06	34,5	1,36	19,9	0,79	13,9	0,55
ST11J-08-08	12	1/2"	08	35,0	1,38	23,9	0,94	17,9	0,70
ST11J-10-10	16	5/8"	10	36,0	1,42	25,9	1,02	20,9	0,82
ST11J-12-12	19	3/4"	12	35,5	1,40	28,9	1,14	23,9	0,94
ST11J-16-16	25	1"	16	44,0	1,73	38,9	1,53	30,9	1,22
ST11J-20-20	31	1.1/4"	20	47,0	1,85	45,9	1,81	37,9	1,49
ST11J-24-24	38	1.1/2"	24	51,0	2,01	54,9	2,16	46,9	1,85
ST11J-32-32	51	2"	32	57,0	2,24	63,9	2,52	55,9	2,20
ST11J-40-40	63	2.1/2"	40	100,5	3,96	80,9	3,19	79,0	3,11
ST11J-48-48	76	3"	48	136,0	5,35	93,8	3,69	85,8	3,38

For multispiral and wire braid hoses

J

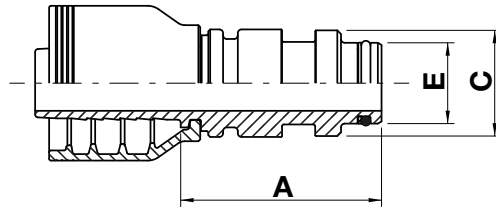
SS11J

High pressure staple lock male

NO SKIVE

FITTINGS

- NPTF
- JIC
- ORFS
- SAE
- JIS
- BSP-BSPT
- METRIC
- SAE 3000 CODE 61
- SAE 6000 CODE 62
- TAPERED SAE
- SUPERCAT STYLE
- STAPLE LOCK
- H.P. STAPLE LOCK**
- LOK-IT

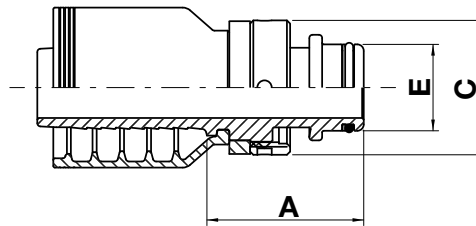


code	ø hose			A		C		E	
	dn	inch	size	mm	in	mm	in	mm	in
SS11J-12-12	19	3/4"	12	56,0	2,20	28,7	1,13	21,9	0,86
SS11J-16-16	25	1"	16	73,0	2,87	38,4	1,51	30,9	1,22
SS11J-20-20	31	1.1/4"	20	80,0	3,15	45,4	1,79	37,9	1,49
SS11J-24-24	38	1.1/2"	24	84,0	3,31	54,4	2,14	43,9	1,73
SS11J-32-32	51	2"	32	87,0	3,43	63,4	2,50	49,9	1,96

NVM11J

Standard pressure Lok-IT male

NO SKIVE



FITTINGS

- NPTF
- JIC
- ORFS
- SAE
- JIS
- BSP-BSPT
- METRIC
- SAE 3000 CODE 61
- SAE 6000 CODE 62
- TAPERED SAE
- SUPERCAT STYLE
- STAPLE LOCK
- H.P. STAPLE LOCK

LOK-IT

code	ø hose			A		C		E	
	dn	inch	size	mm	in	mm	in	mm	in
NVM11J-16-16	25	1"	16	58,9	2,32	42,0	1,65	27,0	1,06
NVM11J-20-20	31	1.1/4"	20	68,0	2,67	50,0	1,96	33,0	1,29
NVM11J-24-24	38	1.1/2"	24	75,5	2,97	62,0	2,44	44,0	1,73
NVM11J-32-32	51	2"	32	74,0	2,91	75,0	2,95	56,0	2,20
NVM11J-40-40	63	2.1/2"	40	85,0	3,34	90,0	3,54	66,0	2,59
NVM11J-48-48	76	3"	48	97,0	3,82	110,0	4,33	88,0	3,46
NVM11J-64-64	102	4"	64	117,0	4,60	138,0	5,43	105,0	4,13

For multispiral and wire braid hoses

J

NVF10J

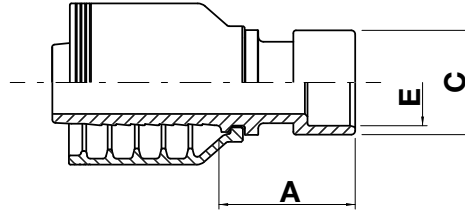
Standard pressure Lok-IT female

NO SKIVE

FITTINGS

NPTF
JIC
ORFS
SAE
JIS
BSP-BSPT
METRIC
SAE 3000 CODE 61
SAE 6000 CODE 62
TAPERED SAE
SUPERCAT STYLE
STAPLE LOCK
H.P. STAPLE LOCK

LOK-IT

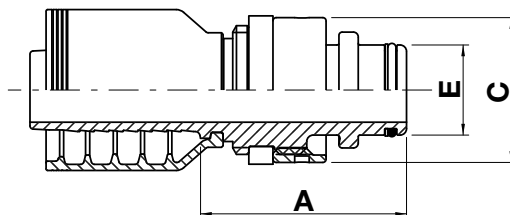


code	ø hose			A		C		E	
	dn	inch	size	mm	in	mm	in	mm	in
NVF10J-16-16	25	1"	16	42,0	1,65	33,0	1,29	27,0	1,06
NVF10J-20-20	31	1.1/4"	20	52,0	2,04	40,0	1,57	33,0	1,29
NVF10J-24-24	38	1.1/2"	24	52,0	2,05	53,0	2,08	44,0	1,73
NVF10J-32-32	51	2"	32	57,0	2,24	65,0	2,55	56,0	2,20
NVF10J-40-40	63	2.1/2"	40	56,0	2,20	75,0	2,95	66,0	2,59
NVF10J-48-48	76	3"	48	75,0	2,95	99,0	3,89	88,0	3,46
NVF10J-64-64	102	4"	64	82,0	3,22	118,0	4,64	105,0	4,13

HVM11J

High pressure Lok-IT male

NO SKIVE



J

FITTINGS

- NPTF
- JIC
- ORFS
- SAE
- JIS
- BSP-BSPT
- METRIC
- SAE 3000 CODE 61
- SAE 6000 CODE 62
- TAPERED SAE
- SUPERCAT STYLE
- STAPLE LOCK
- H.P. STAPLE LOCK

LOK-IT

code	ø hose			A		C		E	
	dn	inch	size	mm	in]	mm	in	mm	in
HVM11J-06-06	10	3/8"	06	45,5	1,79	25,0	0,98	14,0	0,55
HVM11J-08-08	12	1/2"	08	48,3	1,90	30,0	1,18	18,0	0,70
HVM11J-12-12	19	3/4	12	57,0	2,24	40,0	1,57	23,0	0,90
HVM11J-16-16	25	1"	16	64,0	2,52	45,0	1,77	28,0	1,10
HVM11J-20-20	31	1.1/4"	20	72,0	2,83	52,0	2,04	33,0	1,29
HVM11J-24-24	38	1.1/2"	24	84,0	3,30	64,0	2,52	42,0	1,65
HVM11J-32-32	51	2"	32	88,0	3,46	78,0	3,07	54,0	2,12
HVM11J-40-40	63	2.1/2"	40	110,0	4,33	98,0	3,85	65,0	2,55

For multispiral and wire braid hoses

J

HVF10J

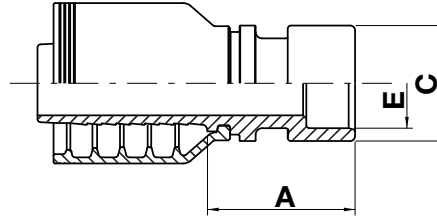
High pressure Lok-IT female

NO SKIVE

FITTINGS

NPTF
JIC
ORFS
SAE
JIS
BSP-BSPT
METRIC
SAE 3000 CODE 61
SAE 6000 CODE 62
TAPERED SAE
SUPERCAT STYLE
STAPLE LOCK
H.P. STAPLE LOCK

LOK-IT

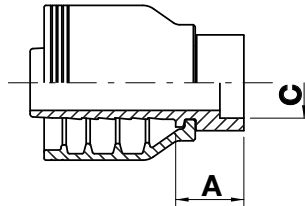


code	ø hose			A		C		E	
	dn	inch	size	mm	in	mm	in	mm	in
HVF10J-06-06	10	3/8"	06	34,0	1,35	20,0	0,78	14,0	0,55
HVF10J-08-08	12	1/2"	08	36,0	1,43	24,0	0,94	18,0	0,70
HVF10J-12-12	19	3/4"	12	36,0	1,43	30,0	1,18	23,0	0,90
HVF10J-16-16	25	1"	16	46,0	1,81	36,0	1,41	28,0	1,10
HVF10J-20-20	31	1.1/4"	20	54,0	2,12	44,0	1,73	33,0	1,29
HVF10J-24-24	38	1.1/2"	24	55,0	2,16	53,8	2,11	42,0	1,65
HVF10J-32-32	51	2"	32	65,0	2,56	70,0	2,75	54,0	2,12
HVF10J-40-40	63	2.1/2"	40	96,0	3,78	84,0	3,30	65,0	2,55

WO10J

Brazing tale

NO SKIVE

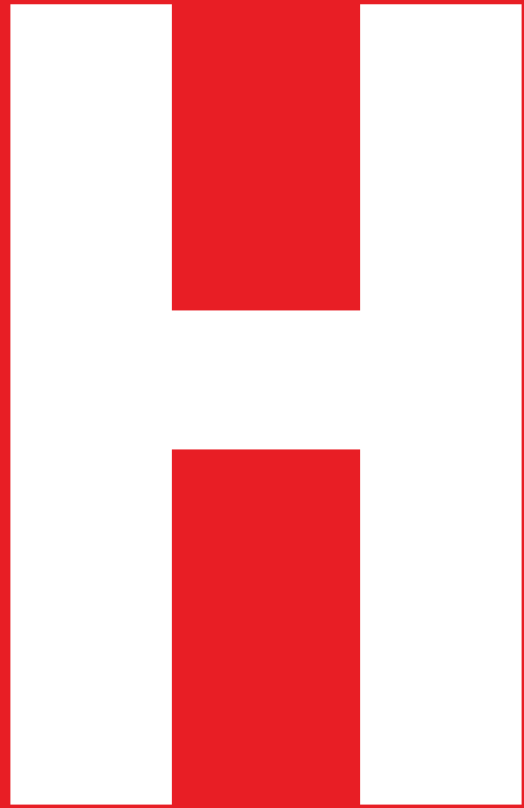


J

FITTINGS

- NPTF
- JIC
- ORFS
- SAE
- JIS
- BSP-BSPT
- METRIC
- SAE 3000 CODE 61
- SAE 6000 CODE 62
- TAPERED SAE
- SUPERCAT STYLE
- STAPLE LOCK
- H.P. STAPLE LOCK
- LOK-IT

code	ø hose			A		C	
	dn	inch	size	mm	in	mm	in
WO10J-12-12	19	3/4"	12	18,5	0,73	19,2	0,76
WO10J-16-16	25	1"	16	23,0	0,91	25,6	1,01
WO10J-20-20	31	1.1/4"	20	26,0	1,02	32,0	1,26
WO10J-24-24	38	1.1/2"	24	26,0	1,02	38,3	1,51
WO10J-32-32	51	2"	32	32,0	1,26	51,0	2,01



SERIES

**For 6 spiral hoses
No skive**

product	standard	code	description	page
Fitting	NPTF	MN10H	NPTF male (60° cone seat)	199
		MNA10H	NPTF male (60° cone seat) - long nose "API" style version	200
	JIC	MJ10H	JIC 37° male	201
		FJ12H	JIC 37° female swivel	202
		FJ42H	JIC 37° female swivel - 45° elbow	203
		FJ92H	JIC 37° female swivel - 90° elbow	204
	ORFS	OR12H	ORFS female swivel	205
		OR42H	ORFS female swivel - 45° elbow	206
		OR92H	ORFS female swivel - 90° elbow	207
	JIS	AK10H	Japanese "KOM" style termination straight flange (for metric O-Ring)	208
		AK40H	Japanese "KOM" style termination - 45° elbow flange (for metric O-Ring)	209
		AK90H	Japanese "KOM" style termination - 90° elbow flange (for metric O-Ring)	210
	BSP BSPT	MT10H	BSPT tapered male 60° cone	211
		MB10H	BSP male 60° cone	212
		FB12H	BSP female swivel 60° cone	213
		FB42H	BSP female swivel 60° cone - 45° elbow	214
		FB92H	BSP female swivel 60° cone - 90° elbow	215
	METRIC	MS10H	Metric heavy male (24° cone seat)	216
		FS13H	Metric heavy female swivel (24° cone seat)	217
		FS43H	Metric heavy female swivel 45° elbow (24° cone seat)	218
		FS93H	Metric heavy female swivel 90° elbow (24° cone seat)	219
	SAE 3000 CODE 61	AX10H	SAE 3000 code 61 straight flange	220
		AX40H	SAE 3000 code 61 - 45° elbow flange	221
		AX90H	SAE 3000 code 61 - 90° elbow flange	222
	SAE 6000 CODE 62	AY10H	SAE 6000 code 62 straight flange	223
		AY10HLZ-L	SAE 6000 code 62 straight flange (long drop)	223
		AY30H	SAE 6000 code 62 - 30° elbow flange	224
		AY30HLZ	SAE 6000 code 62 - 30° elbow flange	224
		AY40H	SAE 6000 code 62 - 45° elbow flange	225
		AY40HLZ	SAE 6000 code 62 - 45° elbow flange	225
		AY60H	SAE 6000 code 62 - 60° elbow flange	226
		AY90H	SAE 6000 code 62 - 90° elbow flange	227
AY90HLZ		SAE 6000 code 62 - 90° elbow flange	227	
AY90H-L		SAE 6000 code 62 - 90° elbow flange (long drop)	228	

product	standard	code	description	page
Fitting	SAE 6000 CODE 62	AY90HLZ-L	SAE 6000 code 62 - 90° elbow flange (long drop)	228
	TAPERED SAE FLANGE	AL13H	Tapered SAE straight flange	229
		AL13HLZ	Tapered SAE straight flange - heavy duty head	229
		AL43H	Tapered SAE - 45° elbow flange	230
		AL43HLZ	Tapered SAE - 45° elbow flange - heavy duty head	230
		AL93H	Tapered SAE - 90° elbow flange	231
		AL93HLZ	Tapered SAE - 90° elbow flange - heavy duty head	231
	"SUPERCAT" STYLE H. P. FLANGE	AY1CH	"SUPERCAT" style straight flange	232
		AY2CH	"SUPERCAT" style - 22,5° elbow flange	233
		AY3CH	"SUPERCAT" style - 30° elbow flange	234
		AY4CH	"SUPERCAT" style - 45° elbow flange	235
		AY6CH	"SUPERCAT" style - 60° elbow flange	236
		AY9CH	"SUPERCAT" style - 90° elbow flange	237
	STAPLE LOCK	ST11H	Staple lock male	238
	H. P. STAPLE L.	SS11H	High pressure staple lock male	239
	LOK-IT	HVM11H	High pressure Lok-IT male	240
		HVM11HLZ	High pressure Lok-IT male - heavy duty fitting	240
		HVF10H	High pressure Lok-IT female	241
		HVF10HLZ	High pressure Lok-IT female - heavy duty fitting	241

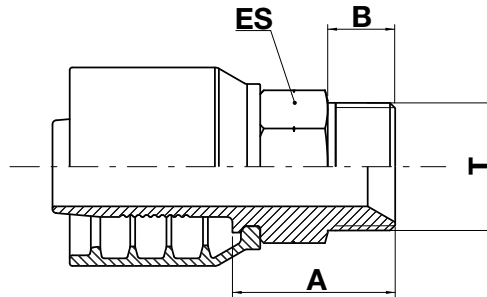
For 6 spiral hoses

MN10H

NPTF male (60° cone seat)

NO SKIVE

SAE J514



H

FITTING

NPTF

JIC

ORFS

JIS

BSP-BSPT

METRIC

SAE 3000 CODE 61

SAE 6000 CODE 62

TAPERED SAE

SUPERCAT STYLE

STAPLE LOCK

H.P. STAPLE LOCK

LOK-IT

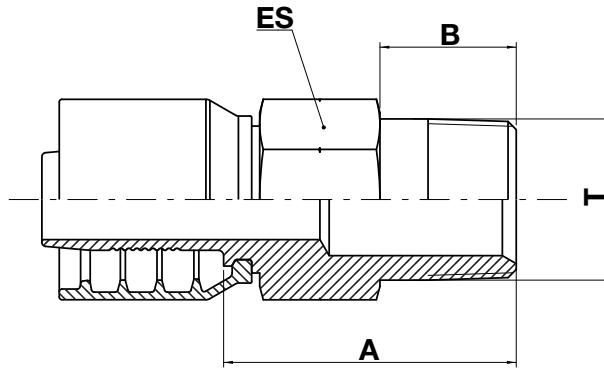
code	ø hose			T	A		B		ES		
	dn	inch	size		mm	in	mm	in	mm	in	↻ in
MN10H-20-20	31	1.1/4"	20	1.1/4"-11.1/2"	63,0	2,48	24,5	0,96	46,0	1,811	1.13/16"
MN10H-24-24	38	1.1/2"	24	1.1/4"-11.1/2"	61,5	2,42	25,5	1,00	50,0	1,969	2"
MN10H-32-32	51	2"	32	2"-11.1/2"	79,5	3,13	26,0	1,02	65,0	2,559	2.9/16"

For 6 spiral hoses

MNA10H

NPTF male (60° cone seat) - long nose "API" style version

NO SKIVE



FITTING

NPTF

JIC
ORFS
JIS
BSP-BSPT
METRIC
SAE 3000 CODE 61
SAE 6000 CODE 62
TAPERED SAE
SUPERCAT STYLE
STAPLE LOCK
H.P. STAPLE LOCK
LOK-IT

code	ø hose			T	A		B		ES		
	dn	inch	size		mm	in	mm	in	mm	in	in
MNA10H-24-32	38	1.1/2"	24	2"-11.1/2	109,5	4,31	51,0	2,01	65,0	2,559	2.9/16"
MNA10H-32-32	51	2"	32	2"-11.1/2	111,5	4,39	51,0	2,01	65,0	2,559	2.9/16"

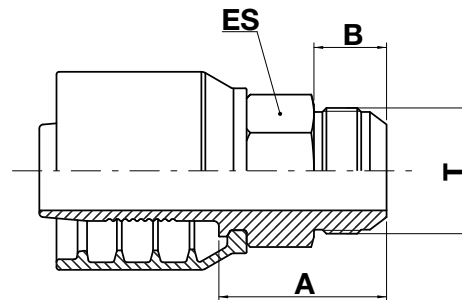
For 6 spiral hoses

MJ10H

JIC 37° male

NO SKIVE

ISO 8434-2 / SAE J514



H

-
- FITTING**
- NPTF
 - JIC**
 - ORFS
 - JIS
 - BSP-BSPT
 - METRIC
 - SAE 3000 CODE 61
 - SAE 6000 CODE 62
 - TAPERED SAE
 - SUPERCAT STYLE
 - STAPLE LOCK
 - H.P. STAPLE LOCK
 - LOK-IT

code	ø hose			T	A		B		ES		
	dn	inch	size		mm	in	mm	in	mm	in	in
MJ10H-20-20	31	1.1/4"	20	1.5/8"-12	62,5	2,46	24,3	0,96	46,0	1,811	1.13/16"
MJ10H-24-24	38	1.1/2"	24	1.7/8"-12	63,5	2,50	27,5	1,08	50,0	1,969	2"
MJ10H-32-32	51	2"	32	2.1/2"-12	87,6	3,45	33,9	1,33	65,0	2,559	2.9/16"

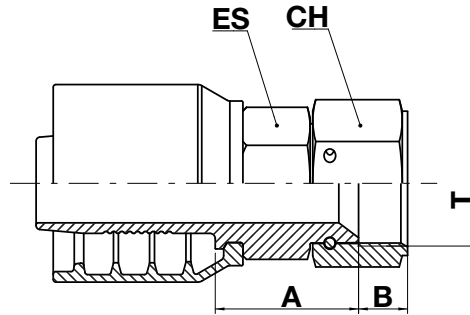
For 6 spiral hoses

FJ12H

JIC 37° female swivel

NO SKIVE

ISO 8434-2 / SAE J514



FITTING

NPTF

JIC

ORFS

JIS

BSP-BSPT

METRIC

SAE 3000 CODE 61

SAE 6000 CODE 62

TAPERED SAE

SUPERCAT STYLE

STAPLE LOCK

H.P. STAPLE LOCK

LOK-IT

code	ø hose			T	A		B		ES			CH		
	dn	inch	size		mm	in	mm	in	mm	in	↗ in	mm	in	↗ in
FJ12H-20-20	31	1.1/4"	20	1.5/8"-12	51,5	2,03	16,0	0,63	41,0	1,614	1.5/8"	50,0	1,969	2"
FJ12H-20-24	31	1.1/4"	20	1.7/8"-12	56,5	2,22	18,5	0,73	50,0	1,969	2"	55,0	2,165	2.3/16"
FJ12H-24-24	38	1.1/2"	24	1.7/8"-12	54,4	2,14	18,5	0,73	50,0	1,969	2"	55,0	2,165	2.3/16"
FJ12H-32-32	51	2"	32	2.1/2"-12	74,0	2,91	24,0	0,94	65,0	2,559	2.9/16"	75,0	2,953	-

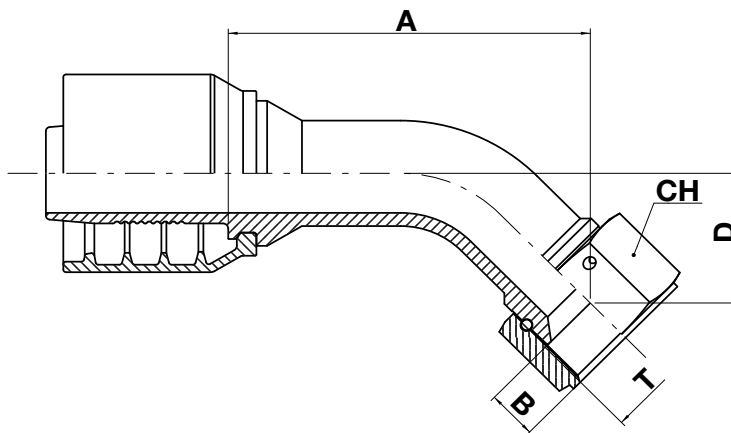
For 6 spiral hoses

FJ42H

JIC 37° female swivel - 45° elbow

NO SKIVE

ISO 8434-2 / SAE J514



H

- FITTING**
- NPTF
 - JIC**
 - ORFS
 - JIS
 - BSP-BSPT
 - METRIC
 - SAE 3000 CODE 61
 - SAE 6000 CODE 62
 - TAPERED SAE
 - SUPERCAT STYLE
 - STAPLE LOCK
 - H.P. STAPLE LOCK
 - LOK-IT

code	ø hose			T	A		B		D		CH		
	dn	inch	size		mm	in	mm	in	mm	in	mm	in	in
FJ42H-20-20	31	1.1/4"	20	1.5/8"-12	99,0	3,90	15,9	0,62	37,5	1,48	50,0	1,969	2"
FJ42H-24-24	38	1.1/2"	24	1.7/8"-12	135,0	5,31	18,6	0,73	49,2	1,94	55,0	2,165	2.3/16"
FJ42H-32-32	51	2"	32	2.1/2"-12	167,6	6,60	24,0	0,94	68,8	2,71	75,0	2,953	-

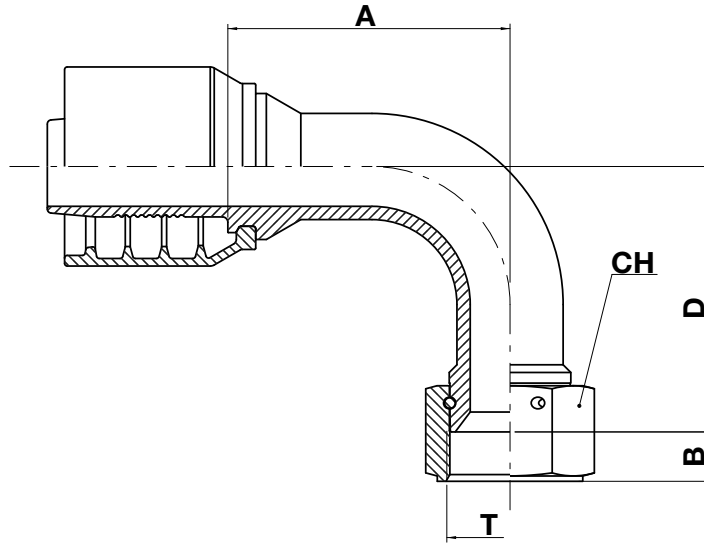
For 6 spiral hoses

FJ92H

JIC 37° female swivel - 90° elbow

NO SKIVE

ISO 8434-2 / SAE J514



FITTING

- NPTF
- JIC**
- ORFS
- JIS
- BSP-BSPT
- METRIC
- SAE 3000 CODE 61
- SAE 6000 CODE 62
- TAPERED SAE
- SUPERCAT STYLE
- STAPLE LOCK
- H.P. STAPLE LOCK
- LOK-IT

code	ø hose			T	A		B		D		CH		
	dn	inch	size		mm	in	mm	in	mm	in	mm	in	↗ in
FJ92H-20-20	31	1.1/4"	20	1.5/8"-12	87,5	3,44	16,0	0,63	77,0	3,03	50,0	1,969	2"
FJ92H-24-24	38	1.1/2"	24	1.7/8"-12	107,0	4,21	18,5	0,73	100,0	3,94	55,0	2,165	2.3/16"
FJ92H-32-32	51	2"	32	2.1/2"-12	154,0	6,06	24,0	0,94	140,0	5,51	75,0	2,953	-

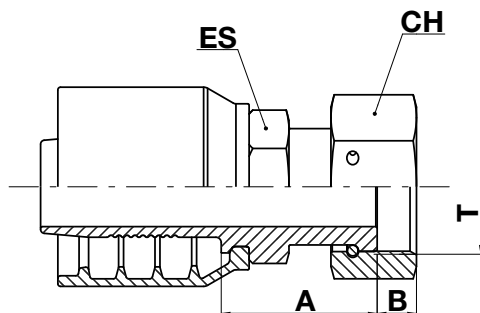
For 6 spiral hoses

OR12H

ORFS female swivel

NO SKIVE

ISO 8434-3 / SAE J1453



H

FITTING

- NPTF
- JIC
- ORFS**
- JIS
- BSP-BSPT
- METRIC
- SAE 3000 CODE 61
- SAE 6000 CODE 62
- TAPERED SAE
- SUPERCAT STYLE
- STAPLE LOCK
- H.P. STAPLE LOCK
- LOK-IT

code	ø hose			T	A		B		ES			CH		
	dn	inch	size		mm	in	mm	in	mm	in	↗ in	mm	in	↗ in
OR12H-20-20	31	1.1/4"	20	1.11/16"-12	56,0	2,20	14,8	0,58	41,0	1,614	1.5/8"	50,0	1,969	2"
OR12H-24-24	38	1.1/2"	24	2"-12	60,0	2,36	14,8	0,58	50,0	1,969	2"	60,0	2,362	2.3/8"

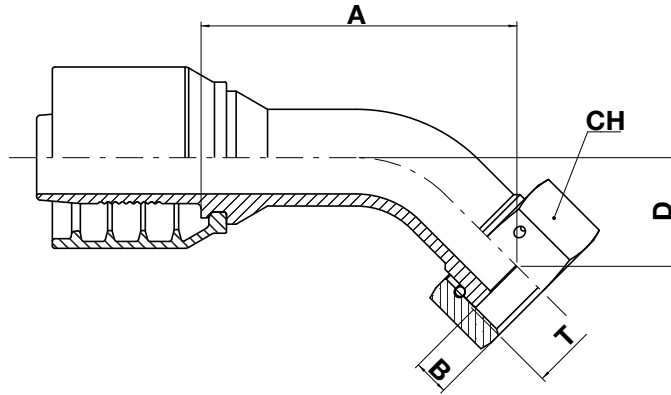
For 6 spiral hoses

OR42H

ORFS female swivel - 45° elbow

NO SKIVE

ISO 8434-3 / SAE J1453



FITTING

NPTF

JIC

ORFS

JIS

BSP-BSPT

METRIC

SAE 3000 CODE 61

SAE 6000 CODE 62

TAPERED SAE

SUPERCAT STYLE

STAPLE LOCK

H.P. STAPLE LOCK

LOK-IT

code	ø hose			T	A		B		D		CH		
	dn	inch	size		mm	in	mm	in	mm	in	mm	in	↻ in
OR42H-20-20	31	1.1/4"	20	1.11/16"-12	97,0	3,82	14,8	0,58	37,0	1,45	50,0	1,969	2"
OR42H-24-24	38	1.1/2"	24	2"-12	120,5	4,74	14,8	0,58	44,0	1,73	60,0	2,362	2.3/8"

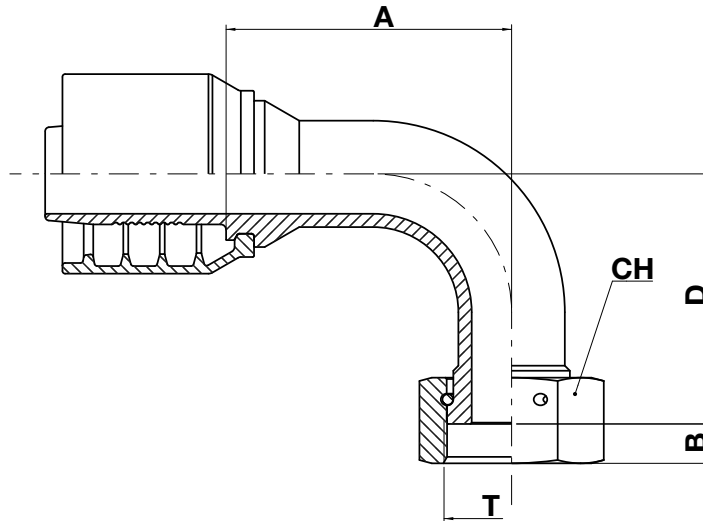
For 6 spiral hoses

OR92H

ORFS female swivel - 90° elbow

NO SKIVE

ISO 8434-3 / SAE J1453



H

- FITTING**
- NPTF
 - JIC
 - ORFS**
 - JIS
 - BSP-BSPT
 - METRIC
 - SAE 3000 CODE 61
 - SAE 6000 CODE 62
 - TAPERED SAE
 - SUPERCAT STYLE
 - STAPLE LOCK
 - H.P. STAPLE LOCK
 - LOK-IT

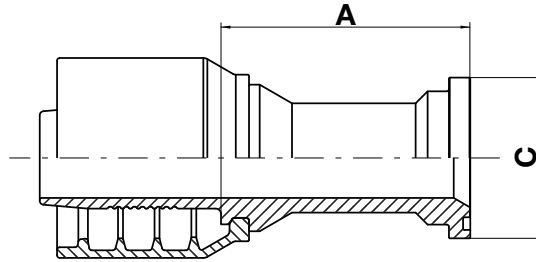
code	ø hose			T	A		B		D		CH		
	dn	inch	size		mm	in	mm	in	mm	in	mm	in	↗ in
OR92H-20-20	31	1.1/4"	20	1.11/16"-12	82,0	3,22	14,8	0,58	66,0	2,60	50,0	1,969	2"
OR92H-24-24	38	1.1/2"	24	2"-12	105,0	4,13	14,8	0,58	94,0	3,70	60,0	2,362	2.3/8"

For 6 spiral hoses

AK10H

Japanese "KOM" style termination straight flange (for metric O-Ring)

NO SKIVE



FITTING

NPTF

JIC

ORFS

JIS

BSP-BSPT

METRIC

SAE 3000 CODE 61

SAE 6000 CODE 62

TAPERED SAE

SUPERCAT STYLE

STAPLE LOCK

H.P. STAPLE LOCK

LOK-IT

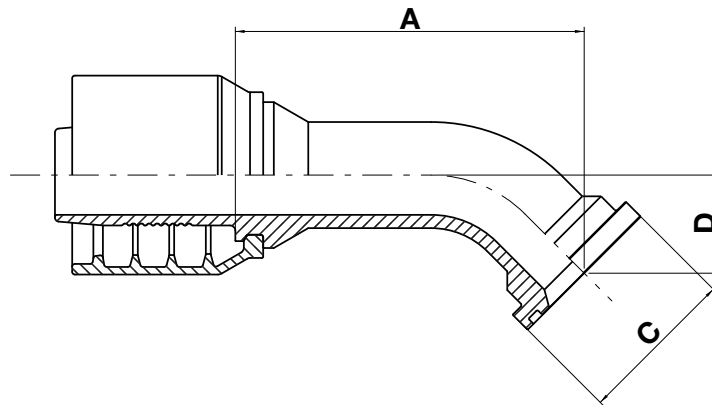
code	ø hose			flange	A		C	
	dn	inch	size		mm	in	mm	in
AK10H-20-20	31	1.1/4"	20	1.1/4"	83,0	3,27	50,8	2,00
AK10H-24-24	38	1.1/2"	24	1.1/2"	93,5	3,68	60,3	2,37
AK10H-32-32	51	2"	32	2"	128,7	5,07	71,4	2,81

For 6 spiral hoses

AK40H

Japanese "KOM" style termination - 45° elbow flange (for metric O-Ring)

NO SKIVE



H

-
- FITTING**
- NPTF
 - JIC
 - ORFS
 - JIS**
 - BSP-BSPT
 - METRIC
 - SAE 3000 CODE 61
 - SAE 6000 CODE 62
 - TAPERED SAE
 - SUPERCAT STYLE
 - STAPLE LOCK
 - H.P. STAPLE LOCK
 - LOK-IT

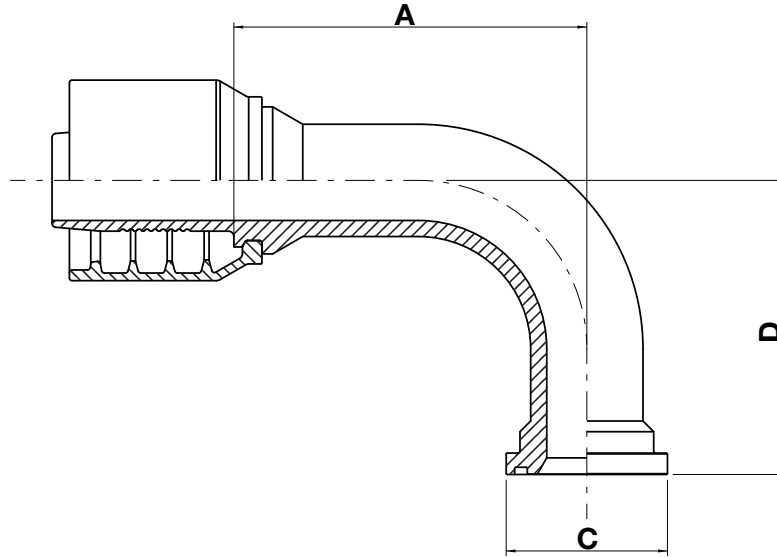
code	ø hose			flange	A		C		D	
	dn	inch	size		mm	in	mm	in	mm	in
AK40H-20-20	31	1.1/4"	20	1.1/4"	89,0	3,50	50,8	2,00	31,0	1,22
AK40H-24-24	38	1.1/2"	24	1.1/2"	131,5	5,18	60,3	2,37	37,0	1,46
AK40H-32-32	51	2"	32	2"	188,2	7,41	71,4	2,81	52,5	2,07

For 6 spiral hoses

AK90H

Japanese "KOM" style termination - 90° elbow flange (for metric O-Ring)

NO SKIVE



FITTING

- NPTF
- JIC
- ORFS
- JIS**
- BSP-BSPT
- METRIC
- SAE 3000 CODE 61
- SAE 6000 CODE 62
- TAPERED SAE
- SUPERCAT STYLE
- STAPLE LOCK
- H.P. STAPLE LOCK
- LOK-IT

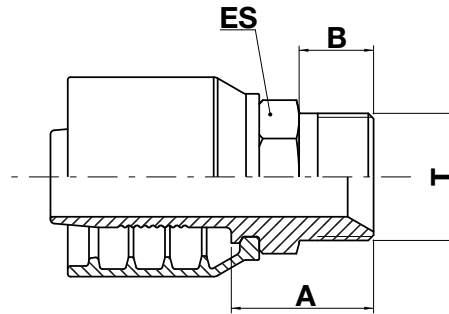
code	ø hose			flange	A		C		D	
	dn	inch	size		mm	in	mm	in	mm	in
AK90H-20-20	31	1.1/4"	20	1.1/4"	102,9	4,05	50,8	2,00	80,0	3,15
AK90H-24-24	38	1.1/2"	24	1.1/2"	132,0	5,20	60,3	2,37	110,0	4,33
AK90H-32-32	51	2"	32	2"	164,7	6,48	71,4	2,81	140,0	5,51

For 6 spiral hoses

MT10H

BSPT tapered male 60° cone

NO SKIVE



H

FITTING

- NPTF
- JIC
- ORFS
- JIS

BSP-BSPT

- METRIC
- SAE 3000 CODE 61
- SAE 6000 CODE 62
- TAPERED SAE
- SUPERCAT STYLE
- STAPLE LOCK
- H.P. STAPLE LOCK
- LOK-IT

code	ø hose			T	A		B		ES		
	dn	inch	size		mm	in	mm	in	mm	in	↻ in
MT10H-20-20	31	1.1/4"	20	1.1/4"-11	53,0	2,09	25,0	0,98	46,0	1,811	1.13/16"
MT10H-24-24	38	1.1/2"	24	1.1/2"-11	53,5	2,11	28,0	1,10	50,0	1,969	2"
MT10H-32-32	51	2"	32	2"-11	63,5	2,50	28,0	1,10	65,0	2,559	2.9/16"

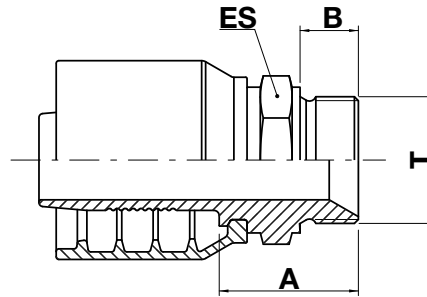
For 6 spiral hoses

MB10H

BSP male 60° cone

NO SKIVE

ISO 8434-6 / BS 5200



FITTING

NPTF

JIC

ORFS

JIS

BSP-BSPT

METRIC

SAE 3000 CODE 61

SAE 6000 CODE 62

TAPERED SAE

SUPERCAT STYLE

STAPLE LOCK

H.P. STAPLE LOCK

LOK-IT

code	ø hose			T	A		B		ES		
	dn	inch	size		mm	in	mm	in	mm	in	in
MB10H-20-20	31	1.1/4"	20	1.1/4"-11	50,5	1,99	20,0	0,79	50,0	1,969	2"
MB10H-24-24	38	1.1/2"	24	1.1/2"-11	52,5	2,07	22,0	0,87	55,0	2,165	2.3/16"
MB10H-32-32	51	2"	32	2"-11	67,2	2,65	25,0	0,98	70,0	2,756	2.3/4"

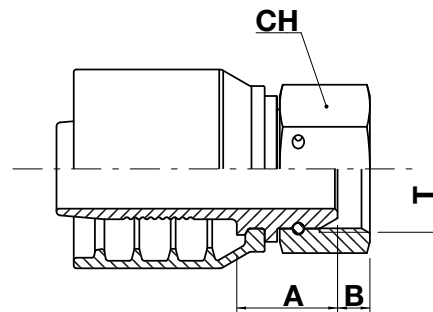
For 6 spiral hoses

FB12H

BSP female swivel 60° cone

NO SKIVE

ISO 8434-6 / BS 5200



H

FITTING

- NPTF
- JIC
- ORFS
- JIS

BSP-BSPT

- METRIC
- SAE 3000 CODE 61
- SAE 6000 CODE 62
- TAPERED SAE
- SUPERCAT STYLE
- STAPLE LOCK
- H.P. STAPLE LOCK
- LOK-IT

code	ø hose			T	A		B		CH		
	dn	inch	size		mm	in	mm	in	mm	in	in
FB12H-20-20	31	1.1/4"	20	1.1/4"-11	36,8	1,45	10,0	0,39	50,0	1,969	2"
FB12H-24-24	38	1.1/2"	24	1.1/2"-11	38,0	1,50	12,0	0,47	55,0	2,165	2.3/16"
FB12H-32-32	51	2"	32	2"-11	43,6	1,72	16,0	0,63	70,0	2,756	2.3/4"

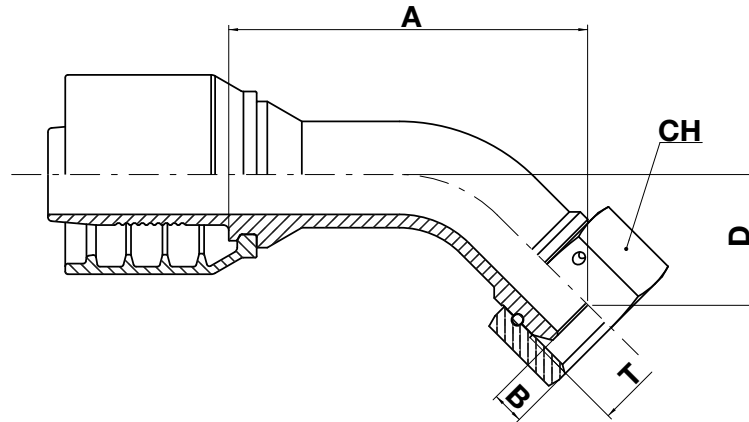
For 6 spiral hoses

FB42H

BSP female swivel 60° cone - 45° elbow

NO SKIVE

ISO 8434-6 / BS 5200



FITTING

NPTF

JIC

ORFS

JIS

BSP-BSPT

METRIC

SAE 3000 CODE 61

SAE 6000 CODE 62

TAPERED SAE

SUPERCAT STYLE

STAPLE LOCK

H.P. STAPLE LOCK

LOK-IT

code	ø hose			T	A		B		D		CH		
	dn	inch	size		mm	in	mm	in	mm	in	mm	in	↗ in
FB42H-20-20	31	1.1/4"	20	1.1/4"-11	99,0	3,90	10,0	0,39	37,5	1,48	50,0	1,969	2"
FB42H-24-24	38	1.1/2"	24	1.1/2"-11	135,0	5,31	12,0	0,47	49,2	1,94	55,0	2,165	2.3/16"
FB42H-32-32	51	2"	32	2"-11	163,5	6,44	16,0	0,63	60,0	2,36	70,0	2,756	2.3/4"

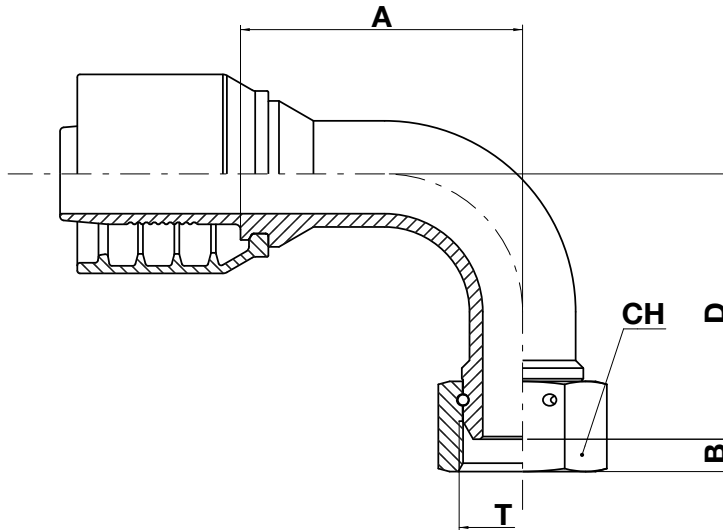
For 6 spiral hoses

FB92H

BSP female swivel 60° cone - 90° elbow

NO SKIVE

ISO 8434-6 / BS 5200



H

FITTING

- NPTF
- JIC
- ORFS
- JIS
- BSP-BSPT**
- METRIC
- SAE 3000 CODE 61
- SAE 6000 CODE 62
- TAPERED SAE
- SUPERCAT STYLE
- STAPLE LOCK
- H.P. STAPLE LOCK
- LOK-IT

code	ø hose			T	A		B		D		CH		
	dn	inch	size		mm	in	mm	in	mm	in	mm	in	↗ in
FB92H-20-20	31	1.1/4"	20	1.1/4"-11	87,5	3,44	10,0	0,39	83,0	3,27	50,0	1,969	2"
FB92H-24-24	38	1.1/2"	24	1.1/2"-11	106,3	4,19	12,0	0,47	100,0	3,94	55,0	2,165	2.3/16"
FB92H-32-32	51	2"	32	2"-11	149,3	5,88	16,0	0,63	128,0	5,04	70,0	2,756	2.3/4"

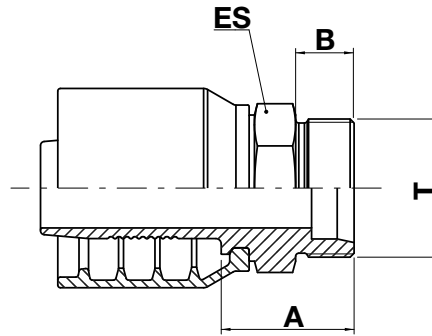
For 6 spiral hoses

MS10H

Metric heavy male (24° cone seat)

NO SKIVE

ISO 8434-1 / DIN 3865



FITTING

NPTF
JIC
ORFS
JIS
BSP-BSPT

METRIC

SAE 3000 CODE 61
SAE 6000 CODE 62
TAPERED SAE
SUPERCAT STYLE
STAPLE LOCK
H.P. STAPLE LOCK
LOK-IT

code	ø hose			T	pipe	A		B		ES		
	dn	inch	size			mm	in	mm	in	mm	in	in
MS10H-20-52	31	1.1/4"	20	M52X2	S38	50,0	1,97	22,0	0,87	55,0	2,165	2.3/16"
MS10H-24-52	38	1.1/2"	24	M52X2	S38	50,0	1,97	22,0	0,87	55,0	2,165	2.3/16"

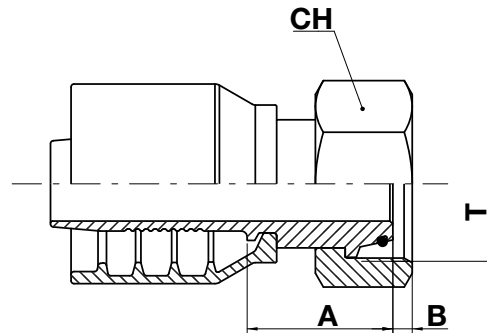
For 6 spiral hoses

FS13H FS12H

Metric heavy female swivel (24° cone seat)

NO SKIVE

ISO 8434-1 / DIN 3865



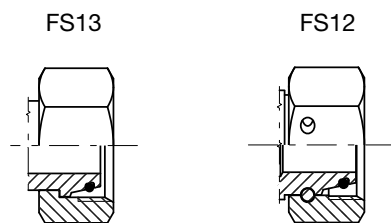
H

FITTING

- NPTF
- JIC
- ORFS
- JIS
- BSP-BSPT
- METRIC**
- SAE 3000 CODE 61
- SAE 6000 CODE 62
- TAPERED SAE
- SUPERCAT STYLE
- STAPLE LOCK
- H.P. STAPLE LOCK
- LOK-IT

code	ø hose			T	pipe	A		B		CH		
	dn	inch	size			mm	in	mm	in	mm	in	↗ in
FS13H-20-52	31	1.1/4"	20	M52X2	S38	48,9	1,93	6,5	0,26	60,0	2,362	2.3/8"
FS12H-24-52	38	1.1/2"	24	M52X2	S38	43,0	1,69	6,5	0,26	60,0	2,362	2.3/8"

Nut type



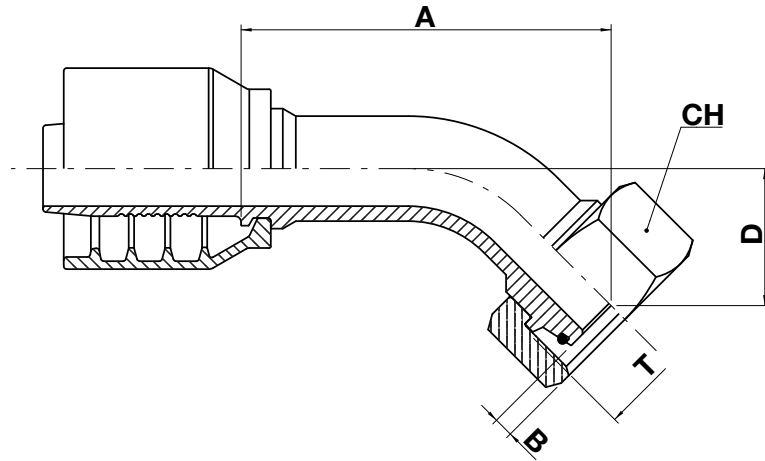
For 6 spiral hoses

FS43H FS42H

Metric heavy female swivel 45° elbow (24° cone seat)

NO SKIVE

ISO 8434-1 / DIN 3865



FITTING

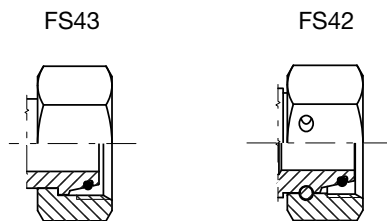
- NPTF
- JIC
- ORFS
- JIS
- BSP-BSPT

METRIC

- SAE 3000 CODE 61
- SAE 6000 CODE 62
- TAPERED SAE
- SUPERCAT STYLE
- STAPLE LOCK
- H.P. STAPLE LOCK
- LOK-IT

code	ø hose			T	pipe	A		B		D		CH		
	dn	inch	size			mm	in	mm	in	mm	in	mm	in	↻ in
FS43H-20-52	31	1.1/4"	20	M52X2	S38	123,3	4,85	6,5	0,26	45,6	1,80	60,0	2,362	2.3/8"
FS42H-24-52	38	1.1/2"	24	M52X2	S38	130,0	5,12	6,5	0,26	47,2	1,86	60,0	2,362	2.3/8"

Nut type



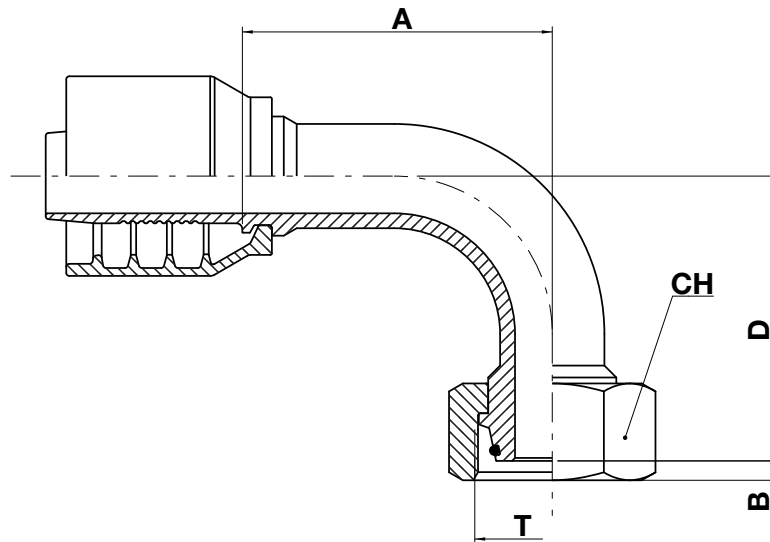
For 6 spiral hoses

FS93H FS92H

Metric heavy female swivel 90° elbow (24° cone seat)

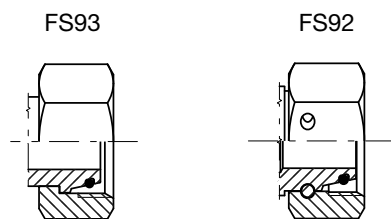
NO SKIVE

ISO 8434-1 / DIN 3865



code	ø hose			T	pipe	A		B		D		CH		
	dn	inch	size			mm	in	mm	in	mm	in	mm	in	↻ in
FS93H-20-52	31	1.1/4"	20	M52X2	S38	104,0	4,09	6,5	0,26	95,6	3,76	60,0	2,362	2.3/8"
FS92H-24-52	38	1.1/2"	24	M52X2	S38	115,0	4,53	6,5	0,26	102,0	4,02	60,0	2,362	2.3/8"

Nut type



H

FITTING

- NPTF
- JIC
- ORFS
- JIS
- BSP-BSPT
- METRIC**
- SAE 3000 CODE 61
- SAE 6000 CODE 62
- TAPERED SAE
- SUPERCAT STYLE
- STAPLE LOCK
- H.P. STAPLE LOCK
- LOK-IT

For 6 spiral hoses

AX10H

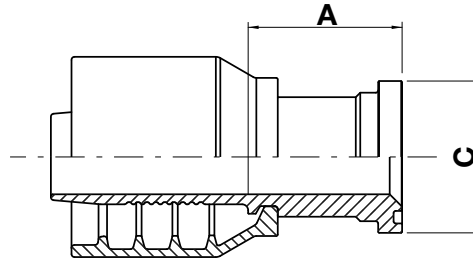
SAE 3000 code 61 straight flange

NO SKIVE

ISO 6162-1 / SAE J518-1

FITTING

NPTF
JIC
ORFS
JIS
BSP-BSPT
METRIC
SAE 3000 CODE 61
SAE 6000 CODE 62
TAPERED SAE
SUPERCAT STYLE
STAPLE LOCK
H.P. STAPLE LOCK
LOK-IT



code	ø hose			flange	A		C	
	dn	inch	size		mm	in	mm	in
AX10H-20-20	31	1.1/4"	20	1.1/4"	51,5	2,03	50,8	2,00
AX10H-20-24	31	1.1/4"	20	1.1/2"	61,5	2,42	60,4	2,38
AX10H-24-24	38	1.1/2"	24	1.1/2"	62,0	2,44	60,4	2,38
AX10H-24-32	38	1.1/2"	24	2"	77,0	3,03	71,4	2,81
AX10H-32-32	51	2"	32	2"	95,7	3,77	71,4	2,81

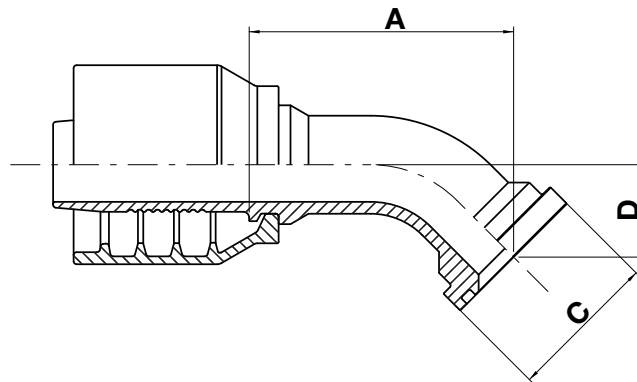
For 6 spiral hoses

AX40H

SAE 3000 code 61 - 45° elbow flange

NO SKIVE

ISO 6162-1 / SAE J518-1



H

FITTING

- NPTF
- JIC
- ORFS
- JIS
- BSP-BSPT
- METRIC
- SAE 3000 CODE 61**
- SAE 6000 CODE 62
- TAPERED SAE
- SUPERCAT STYLE
- STAPLE LOCK
- H.P. STAPLE LOCK
- LOK-IT

code	ø hose			flange	A		C		D	
	dn	inch	size		mm	in	mm	in	mm	in
AX40H-20-16	31	1.1/4"	20	1"	115,5	4,55	44,5	1,75	43,8	1,72
AX40H-20-20	31	1.1/4"	20	1.1/4"	89,0	3,50	50,8	2,00	31,1	1,22
AX40H-20-24	31	1.1/4"	20	1.1/2"	91,8	3,61	60,3	2,37	31,0	1,22
AX40H-24-24	38	1.1/2"	24	1.1/2"	152,0	5,98	60,3	2,37	46,7	1,84
AX40H-24-32	38	1.1/2"	24	2"	133,0	5,24	71,4	2,81	47,0	1,85
AX40H-32-32	51	2"	32	2"	150,0	5,91	71,4	2,81	53,0	2,09

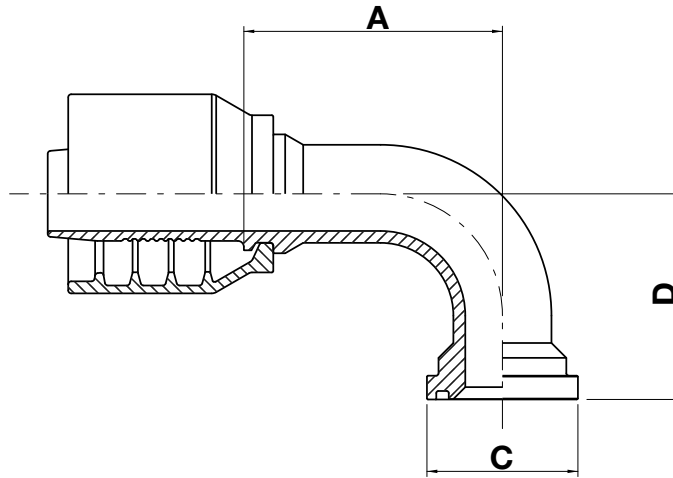
For 6 spiral hoses

AX90H

SAE 3000 code 61 - 90° elbow flange

NO SKIVE

ISO 6162-1 / SAE J518-1



FITTING

NPTF
JIC
ORFS
JIS
BSP-BSPT
METRIC
SAE 3000 CODE 61
SAE 6000 CODE 62
TAPERED SAE
SUPERCAT STYLE
STAPLE LOCK
H.P. STAPLE LOCK
LOK-IT

code	ø hose			flange	A		C		D	
	dn	inch	size		mm	in	mm	in	mm	in
AX90H-20-20	31	1.1/4"	20	1.1/4"	87,0	3,43	50,8	2,00	69,2	2,72
AX90H-20-24	31	1.1/4"	20	1.1/2"	87,0	3,43	60,3	2,37	69,2	2,72
AX90H-24-24	38	1.1/2"	24	1.1/2"	132,0	5,20	60,3	2,37	103,0	4,06
AX90H-24-32	38	1.1/2"	24	2"	116,0	4,57	71,4	2,81	104,0	4,09
AX90H-32-32	51	2"	32	2"	155,0	6,10	71,4	2,81	123,0	4,84

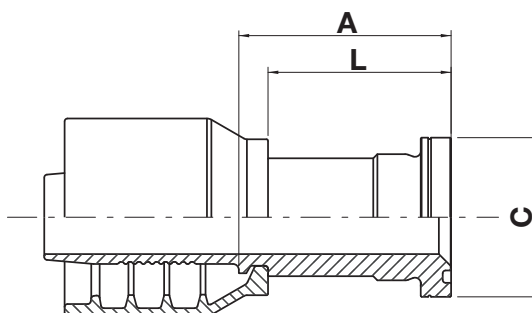
For 6 spiral hoses

AY10H AY10HLZ-L

SAE 6000 code 62 straight flange - SAE 6000 code 62 straight flange (long drop)

NO SKIVE

ISO 6162-2 / SAE J518-2

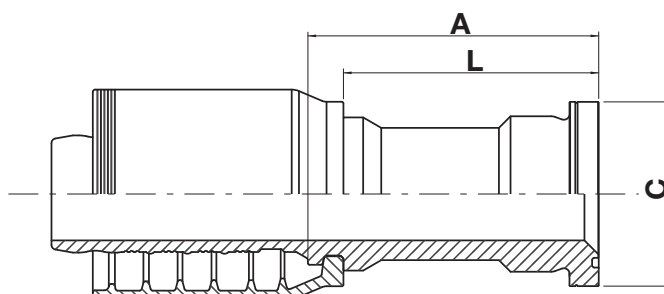


H

FITTING

- NPTF
- JIC
- ORFS
- JIS
- BSP-BSPT
- METRIC
- SAE 3000 CODE 61
- SAE 6000 CODE 62**
- TAPERED SAE
- SUPERCAT STYLE
- STAPLE LOCK
- H.P. STAPLE LOCK
- LOK-IT

code	ø hose			flange	A		C		L	
	dn	inch	size		mm	in	mm	in	mm	in
AY10H-20-20	31	1.1/4"	20	1.1/4"	72,0	2,83	54,0	2,13	62,0	2,44
AY10H-20-24	31	1.1/4"	20	1.1/2"	81,5	3,21	63,5	2,50	71,6	2,82
AY10H-24-20	38	1.1/2"	24	1.1/4"	72,5	2,85	54,0	2,13	62,0	2,44
AY10H-24-24	38	1.1/2"	24	1.1/2"	82,0	3,23	63,5	2,50	71,5	2,81
AY10H-24-32	38	1.1/2"	24	2"	110,5	4,35	79,4	3,13	100,0	3,93
AY10H-24-24-108	38	1.1/2"	24	1.1/2"	118,5	4,67	63,5	2,50	108,0	4,25
AY10H-32-24	51	2"	32	1.1/2"	91,0	3,58	63,5	2,50	75,3	2,96
AY10H-32-32	51	2"	32	2"	115,7	4,56	79,4	3,13	100,0	3,93



AY10HLZ-32-32-110*	51	2"	32	2"	125,3	4,93	79,4	3,13	110,0	4,33
--------------------	----	----	----	----	-------	------	------	------	-------	------

* for 420 bar - 6000 psi rated hoses

For 6 spiral hoses

AY30H AY30HLZ

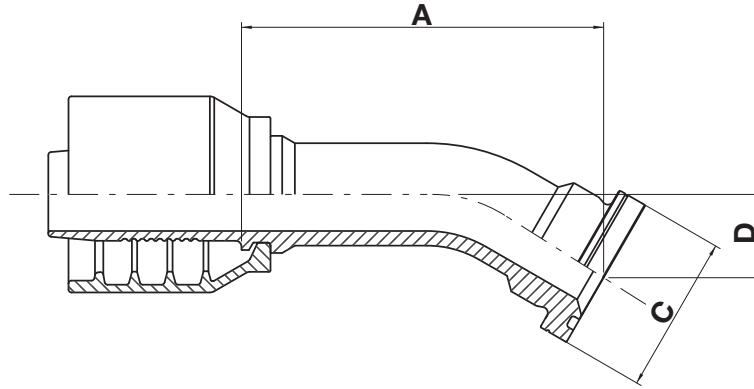
SAE 6000 code 62 - 30° elbow flange

NO SKIVE

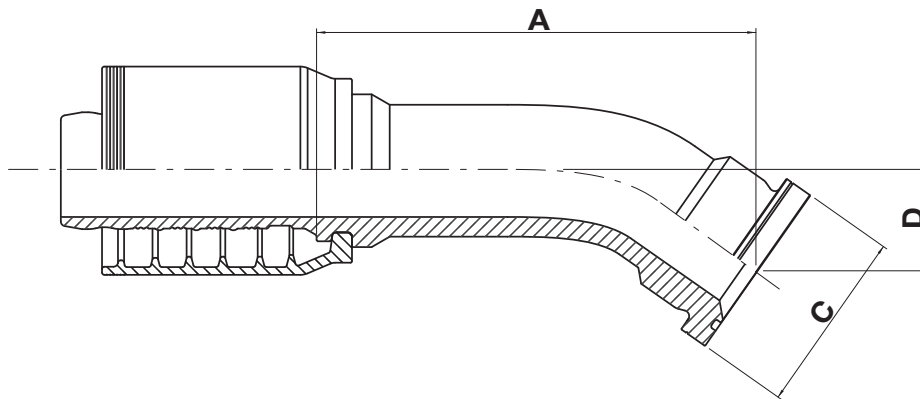
ISO 6162-2 / SAE J518-2

FITTING

- NPTF
- JIC
- ORFS
- JIS
- BSP-BSPT
- METRIC
- SAE 3000 CODE 61
- SAE 6000 CODE 62**
- TAPERED SAE
- SUPERCAT STYLE
- STAPLE LOCK
- H.P. STAPLE LOCK
- LOK-IT



code	ø hose			flange	A		C		D	
	dn	inch	size		mm	in	mm	in	mm	in
AY30H-20-20	31	1.1/4"	20	1.1/4"	124,5	4,90	54,0	2,13	27,0	1,06
AY30H-24-24	38	1.1/2"	24	1.1/2"	147,5	5,81	63,5	2,50	29,0	1,14



AY30HLZ-32-32-46*	51	2"	32	2"	200,0	7,87	79,4	3,13	46,0	1,81
-------------------	----	----	----	----	-------	------	------	------	------	------

* for 420 bar - 6000 psi rated hoses

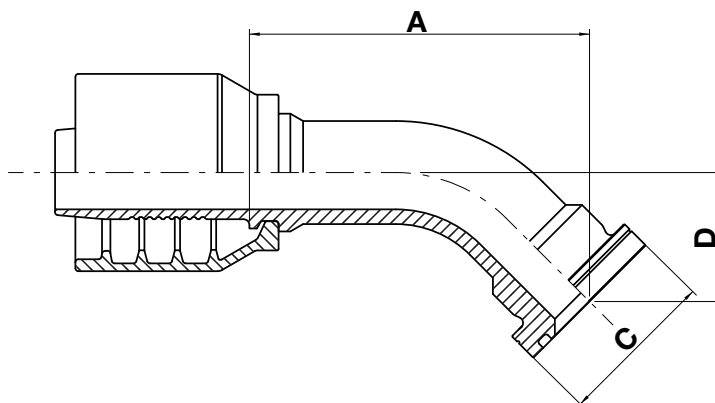
For 6 spiral hoses

AY40H AY40HLZ

SAE 6000 code 62 - 45° elbow flange

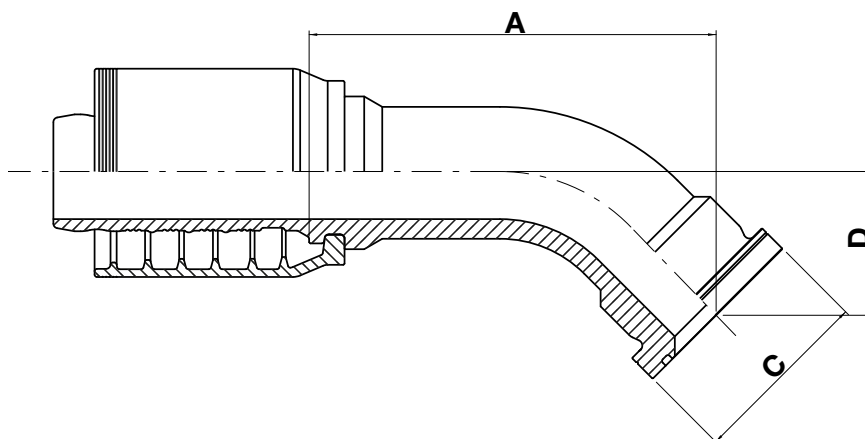
NO SKIVE

ISO 6162-2 / SAE J518-2



- FITTING**
- NPTF
 - JIC
 - ORFS
 - JIS
 - BSP-BSPT
 - METRIC
 - SAE 3000 CODE 61
 - SAE 6000 CODE 62**
 - TAPERED SAE
 - SUPERCAT STYLE
 - STAPLE LOCK
 - H.P. STAPLE LOCK
 - LOK-IT

code	ø hose			flange	A		C		D	
	dn	inch	size		mm	in	mm	in	mm	in
AY40H-20-16	31	1.1/4"	20	1"	115,5	4,55	47,6	1,88	38,1	1,50
AY40H-20-20	31	1.1/4"	20	1.1/4"	115,5	4,55	54,0	2,13	43,8	1,72
AY40H-20-24	31	1.1/4"	20	1.1/2"	117,5	4,63	63,5	2,50	47,3	1,86
AY40H-24-24	38	1.1/2"	24	1.1/2"	152,0	5,98	63,5	2,50	47,0	1,85
AY40H-24-32	38	1.1/2"	24	2"	146,0	5,75	79,4	3,13	57,7	2,27
AY40H-32-32	51	2"	32	2"	174,0	6,85	79,4	3,13	63,9	2,52



AY40HLZ-32-32*	51	2"	32	2"	176,5,0	6,95	79,4	3,13	61,0	2,40
----------------	----	----	----	----	---------	------	------	------	------	------

* for 420 bar - 6000 psi rated hoses

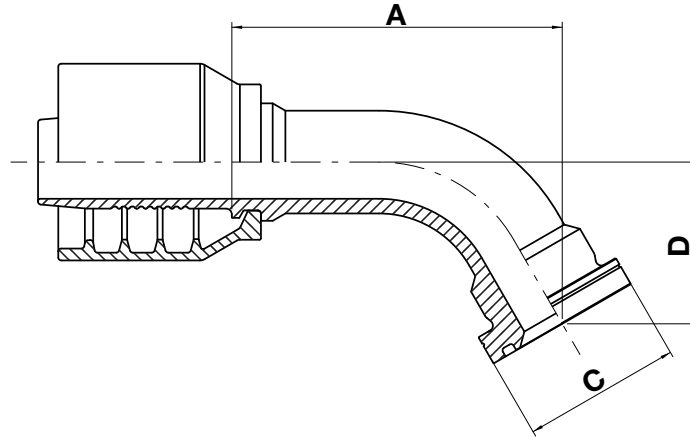
For 6 spiral hoses

AY60H

SAE 6000 code 62 - 60° elbow flange

NO SKIVE

ISO 6162-2 / SAE J518-2



FITTING

NPTF
JIC
ORFS
JIS
BSP-BSPT
METRIC
SAE 3000 CODE 61
SAE 6000 CODE 62
TAPERED SAE
SUPERCAT STYLE
STAPLE LOCK
H.P. STAPLE LOCK
LOK-IT

code	ø hose			flange	A		C		D	
	dn	inch	size		mm	in	mm	in	mm	in
AY60H-20-20	31	1.1/4"	20	1.1/4"	112,5	4,43	54,0	2,13	55,1	2,17
AY60H-24-24	38	1.1/2"	24	1.1/2"	153,5	6,04	63,5	2,50	69,8	2,75

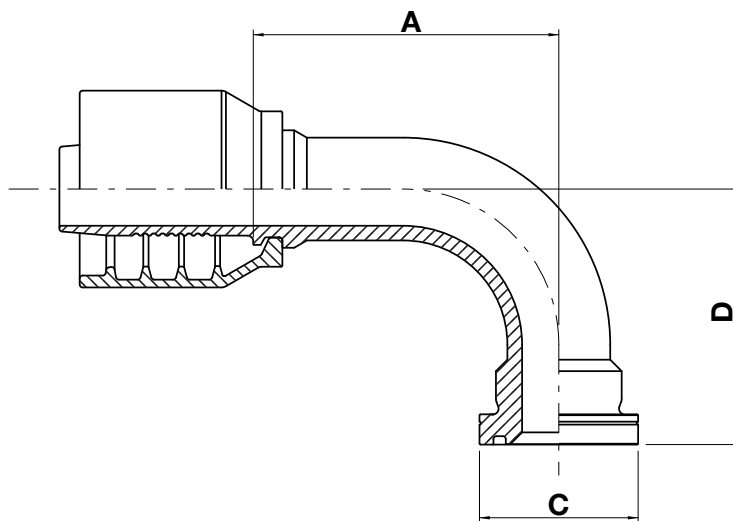
For 6 spiral hoses

AY90H AY90HLZ

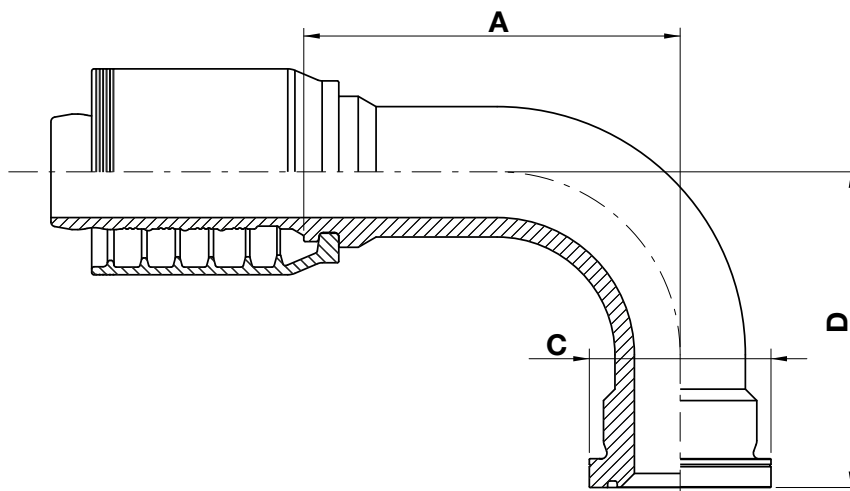
SAE 6000 code 62 - 90° elbow flange

NO SKIVE

ISO 6162-2 / SAE J518-2



code	ø hose			flange	A		C		D	
	dn	inch	size		mm	in	mm	in	mm	in
AY90H-20-16	31	1.1/4"	20	1"	104,0	4,09	47,6	1,87	85,0	3,35
AY90H-20-20	31	1.1/4"	20	1.1/4"	104,0	4,09	54,0	2,13	86,0	3,39
AY90H-20-24	31	1.1/4"	20	1.1/2"	104,2	4,10	63,5	2,50	98,0	3,86
AY90H-24-24	38	1.1/2"	24	1.1/2"	124,5	4,90	63,5	2,50	104,0	4,09
AY90H-24-32	38	1.1/2"	24	2"	129,0	5,08	79,4	3,13	119,5	4,70
AY90H-32-32	51	2"	32	2"	162,0	6,38	79,4	3,13	134,0	5,28



AY90HLZ-32-32*	51	2"	32	2"	164,5	6,48	79,4	3,13	138,0	5,43
----------------	----	----	----	----	-------	------	------	------	-------	------

* for 420 bar - 6000 psi rated hoses

- FITTING**
- NPTF
 - JIC
 - ORFS
 - JIS
 - BSP-BSPT
 - METRIC
 - SAE 3000 CODE 61
 - SAE 6000 CODE 62**
 - TAPERED SAE
 - SUPERCAT STYLE
 - STAPLE LOCK
 - H.P. STAPLE LOCK
 - LOK-IT

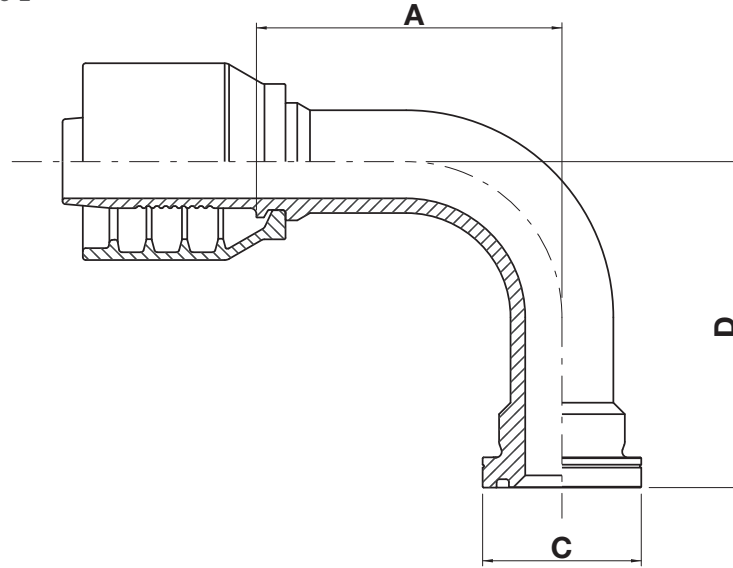
For 6 spiral hoses

AY90H-L AY90HLZ-L

SAE 6000 code 62 - 90° elbow flange (long drop)

NO SKIVE

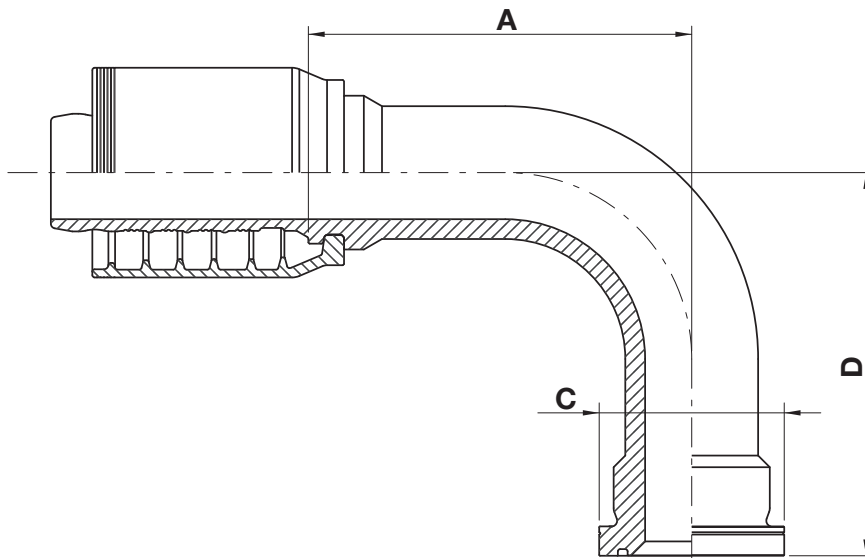
ISO 6162-2 / SAE J518-2



FITTING

- NPTF
- JIC
- ORFS
- JIS
- BSP-BSPT
- METRIC
- SAE 3000 CODE 61
- SAE 6000 CODE 62**
- TAPERED SAE
- SUPERCAT STYLE
- STAPLE LOCK
- H.P. STAPLE LOCK
- LOK-IT

code	ø hose			flange	A		C		D	
	dn	inch	size		mm	in	mm	in	mm	in
AY90H-20-20-130	31	1.1/4"	20	1.1/4"	104,0	4,09	54,0	2,13	130,0	5,12
AY90H-20-20-150	31	1.1/4"	20	1.1/4"	104,0	4,09	54,0	2,13	150,0	5,91
AY90H-24-24-114	38	1.1/2"	24	1.1/2"	124,0	4,88	63,5	2,50	114,0	4,49
AY90H-24-24-150	38	1.1/2"	24	1.1/2"	124,0	4,88	63,5	2,50	150,0	5,91



AY90HLZ-32-32-155*	51	2"	32	2"	151,9	5,98	79,4	3,13	155,0	6,10
--------------------	----	----	----	----	-------	------	------	------	-------	------

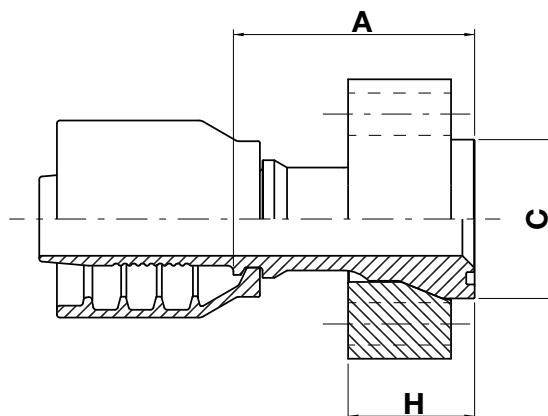
* for 420 bar - 6000 psi rated hoses

AL13H AL13HLZ

Tapered SAE straight flange

NO SKIVE

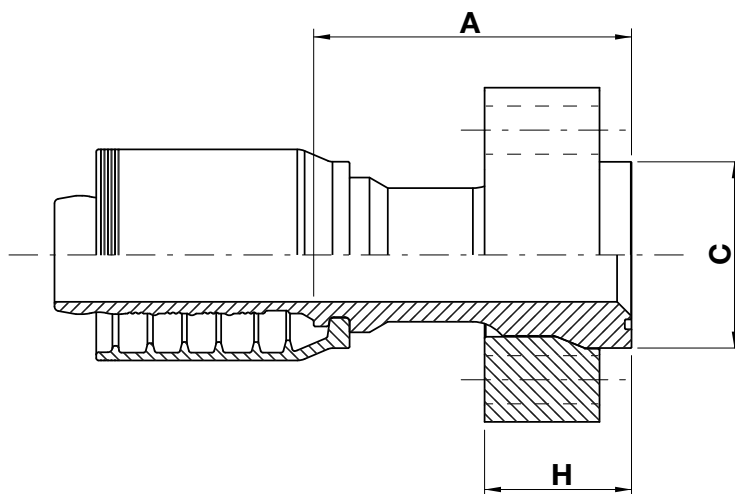
H



- FITTING**
- NPTF
 - JIC
 - ORFS
 - JIS
 - BSP-BSPT
 - METRIC
 - SAE 3000 CODE 61
 - SAE 6000 CODE 62
 - TAPERED SAE**
 - SUPERCAT STYLE
 - STAPLE LOCK
 - H.P. STAPLE LOCK
 - LOK-IT

code	ø hose			flange	A		C		H	
	dn	inch	size		mm	in	mm	in	mm	in
AL13H-20-20	32	1.1/4"	20	1.1/4"	82	3,23	54,0	2,12	43,0	1,69
AL13H-24-24	38	1.1/2"	24	1.1/2"	116	4,57	63,5	2,50	52,6	2,07
AL13H-24-32	38	1.1/2"	24	2"	130,5	5,14	79,4	3,12	63,0	2,48

Heavy duty fitting compatible with ports according to SAE J518 code 62



AL13HLZ-32-32	51	2"	32	2"	134,8	5,31	79,4	3,13	63,0	2,48
---------------	----	----	----	----	-------	------	------	------	------	------

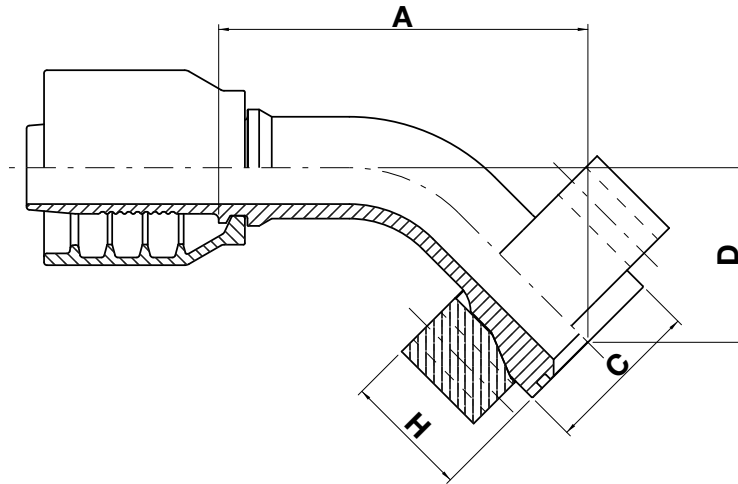
Heavy duty fitting compatible with ports according to SAE J518 code 62

For 6 spiral hoses

AL43H AL43HLZ

Tapered SAE - 45° elbow flange

NO SKIVE

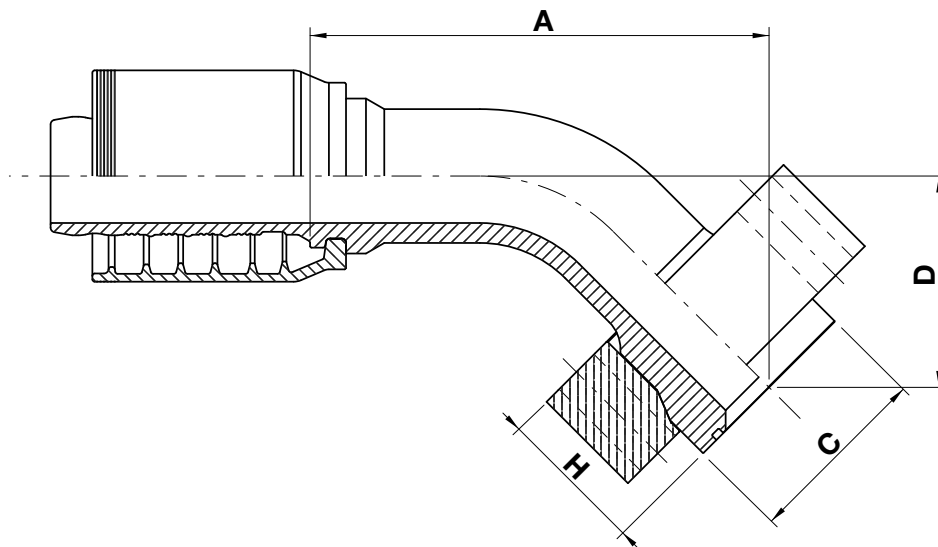


FITTING

- NPTF
- JIC
- ORFS
- JIS
- BSP-BSPT
- METRIC
- SAE 3000 CODE 61
- SAE 6000 CODE 62
- TAPERED SAE**
- SUPERCAT STYLE
- STAPLE LOCK
- H.P. STAPLE LOCK
- LOK-IT

code	ø hose			flange	A		D		C		H	
	dn	inch	size		mm	in	mm	in	mm	in	mm	in
AL43H-20-20	32	1.1/4"	20	1.1/4"	127,0	5,00	60,0	2,36	54,0	2,12	43,0	1,69
AL43H-24-24	38	1.1/2"	24	1.1/2"	166,0	6,53	80,0	3,15	63,5	2,50	52,6	2,07
AL43H-24-32	38	1.1/2"	24	2"	184,0	7,24	95,0	3,74	79,4	3,12	63,0	2,48

Heavy duty fitting compatible with ports according to SAE J518 code 62



AL43HLZ-32-32	51	2"	32	2"	195,4	7,69	90,0	3,54	79,4	3,12	63,0	2,48
---------------	----	----	----	----	-------	------	------	------	------	------	------	------

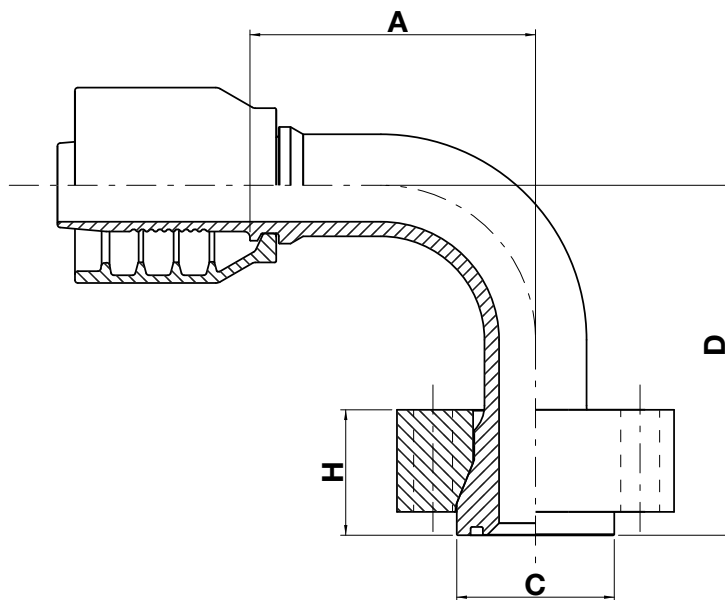
Heavy duty fitting compatible with ports according to SAE J518 code 62

For 6 spiral hoses

AL93H AL93HLZ

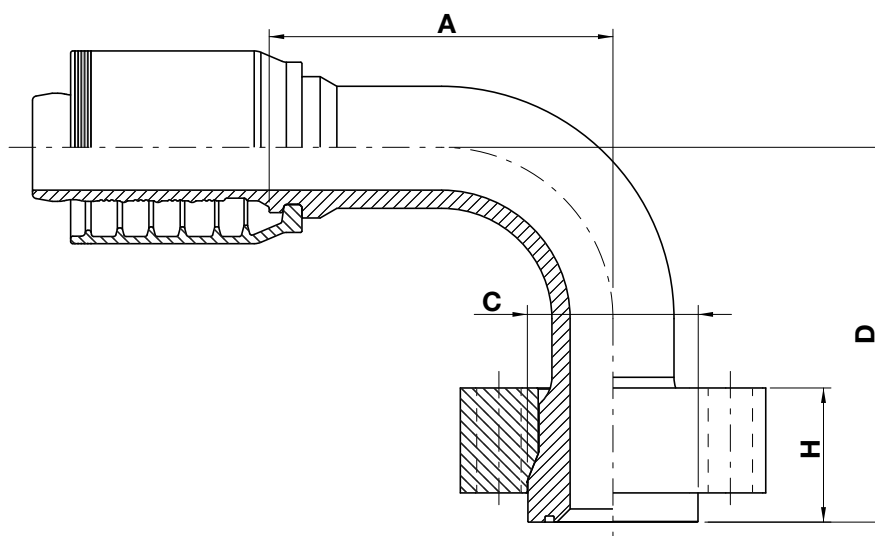
Tapered SAE - 90° elbow flange

NO SKIVE



code	ø hose			flange	A		D		C		H	
	dn	inch	size		mm	in	mm	in	mm	in	mm	in
AL93H-20-20	32	1.1/4"	20	1.1/4"	98,0	3,86	120,0	4,27	54,0	2,12	43,0	1,69
AL93H-24-24	38	1.1/2"	24	1.1/2"	131,0	5,16	140,0	5,51	63,5	2,50	52,6	2,07
AL93H-24-32	38	1.1/2"	24	2"	131,0	5,16	160,0	6,30	79,4	3,12	63,0	2,48

Heavy duty fitting compatible with ports according to SAE J518 code 62



AL93HLZ-32-32	51	2"	32	2"	160,4	6,32	180,0	7,09	79,4	3,12	63,0	2,48
---------------	----	----	----	----	-------	------	-------	------	------	------	------	------

Heavy duty fitting compatible with ports according to SAE J518 code 62

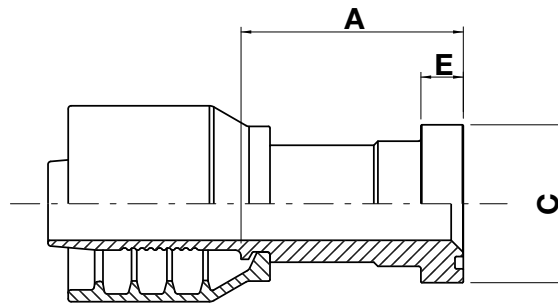
- FITTING**
- NPTF
 - JIC
 - ORFS
 - JIS
 - BSP-BSPT
 - METRIC
 - SAE 3000 CODE 61
 - SAE 6000 CODE 62
 - TAPERED SAE**
 - SUPERCAT STYLE
 - STAPLE LOCK
 - H.P. STAPLE LOCK
 - LOK-IT

For 6 spiral hoses

AY1CH

“SUPERCAT” style straight flange

NO SKIVE



FITTING

NPTF
JIC
ORFS
JIS
BSP-BSPT
METRIC
SAE 3000 CODE 61
SAE 6000 CODE 62
TAPERED SAE
SUPERCAT STYLE
STAPLE LOCK
H.P. STAPLE LOCK
LOK-IT

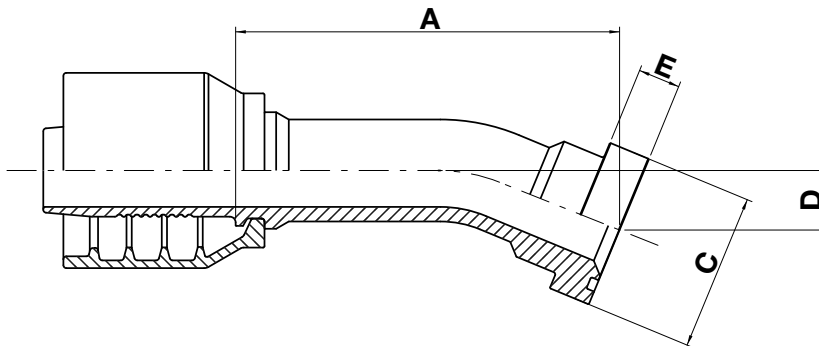
code	ø hose			flange	A		C		E	
	dn	inch	size		mm	in	mm	in	mm	in
AY1CH-20-20	31	1.1/4"	20	1.1/4"	76,0	2,99	54,0	2,13	14,5	0,57
AY1CH-20-24	31	1.1/4"	20	1.1/2"	79,9	3,15	63,5	2,50	14,5	0,57
AY1CH-24-24	38	1.1/2"	24	1.1/2"	84,0	3,31	63,5	2,50	14,5	0,57
AY1CH-24-32	38	1.1/2"	24	2"	110,5	4,35	79,4	3,13	14,5	0,57
AY1CH-32-32	51	2"	32	2"	115,7	4,56	79,4	3,13	14,5	0,57

For 6 spiral hoses

AY2CH

“SUPERCAT” style - 22,5° elbow flange

NO SKIVE



.....
FITTING
 NPTF
 JIC
 ORFS
 JIS
 BSP-BSPT
 METRIC
 SAE 3000 CODE 61
 SAE 6000 CODE 62
 TAPERED SAE
SUPERCAT STYLE
 STAPLE LOCK
 H.P. STAPLE LOCK
 LOK-IT

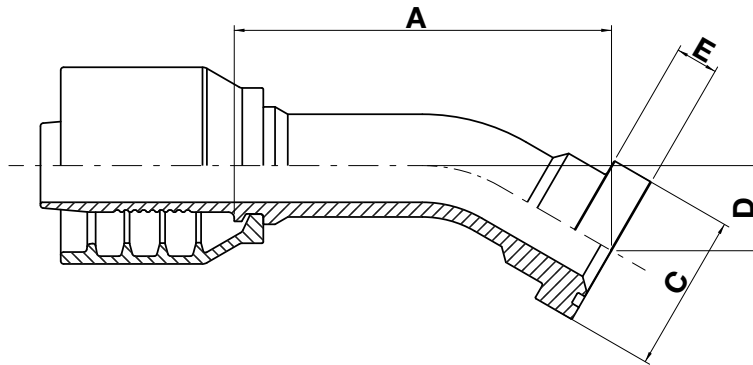
code	ø hose			flange	A		C		D		E	
	dn	inch	size		mm	in	mm	in	mm	in	mm	in
AY2CH-20-20	31	1.1/4"	20	1.1/4"	131,5	5,18	54,0	2,13	21,0	0,82	14,5	0,57
AY2CH-20-24	31	1.1/4"	20	1.1/2"	133,0	5,24	63,5	2,50	22,0	0,87	14,5	0,57
AY2CH-24-24	38	1.1/2"	24	1.1/2"	142,0	5,59	63,5	2,50	20,9	0,82	14,5	0,57
AY2CH-32-32	51	2"	32	2"	174,0	6,85	79,4	3,13	28,5	1,12	14,5	0,57

For 6 spiral hoses

AY3CH

“SUPERCAT” style - 30° elbow flange

NO SKIVE



FITTING

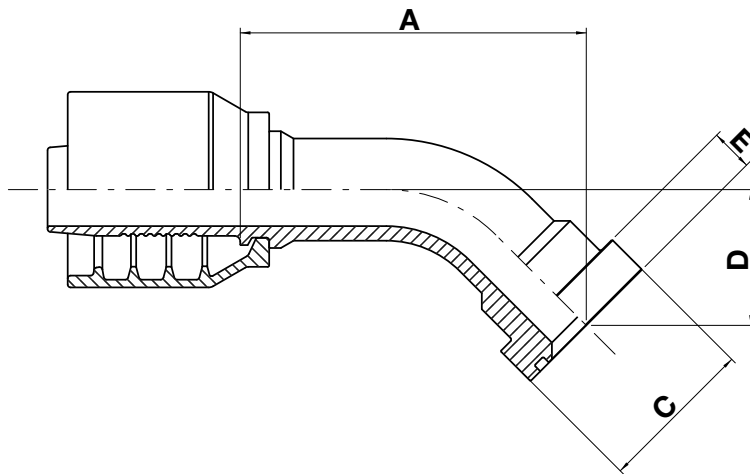
- NPTF
- JIC
- ORFS
- JIS
- BSP-BSPT
- METRIC
- SAE 3000 CODE 61
- SAE 6000 CODE 62
- TAPERED SAE
- SUPERCAT STYLE**
- STAPLE LOCK
- H.P. STAPLE LOCK
- LOK-IT

code	ø hose			flange	A		C		D		E	
	dn	inch	size		mm	in	mm	in	mm	in	mm	in
AY3CH-20-20	31	1.1/4"	20	1.1/4"	128,5	5,06	54,0	2,13	29,0	1,14	14,5	0,57
AY3CH-20-24	31	1.1/4"	20	1.1/2"	129,5	5,01	63,5	2,50	30,6	1,20	14,5	0,57
AY3CH-24-24	38	1.1/2"	24	1.1/2"	147,0	5,79	63,5	2,50	29,9	1,18	14,5	0,57
AY3CH-32-32	51	2"	32	2"	165,8	6,53	79,4	3,13	40,0	1,57	14,5	0,57

AY4CH

“SUPERCAT” style - 45° elbow flange

NO SKIVE



- FITTING**
- NPTF
 - JIC
 - ORFS
 - JIS
 - BSP-BSPT
 - METRIC
 - SAE 3000 CODE 61
 - SAE 6000 CODE 62
 - TAPERED SAE
 - SUPERCAT STYLE**
 - STAPLE LOCK
 - H.P. STAPLE LOCK
 - LOK-IT

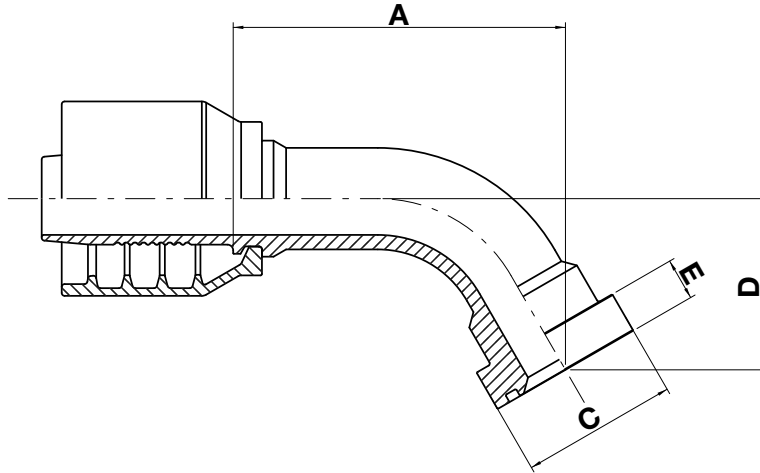
code	ø hose			flange	A		C		D		E	
	dn	inch	size		mm	in	mm	in	mm	in	mm	in
AY4CH-20-16	31	1.1/4"	20	1"	119,0	4,68	47,6	1,87	41,7	1,64	14,5	0,57
AY4CH-20-20	31	1.1/4"	20	1.1/4"	118,5	4,67	54,0	2,13	46,5	1,83	14,5	0,57
AY4CH-20-24	31	1.1/4"	20	1.1/2"	119,0	4,68	63,5	2,50	49,0	1,93	14,5	0,57
AY4CH-24-24	38	1.1/2"	24	1.1/2"	153,5	6,04	63,5	2,50	48,9	1,92	14,5	0,57
AY4CH-24-32	38	1.1/2"	24	2"	180,7	7,11	79,4	3,13	60,0	2,36	14,5	0,57
AY4CH-32-32	51	2"	32	2"	174,0	6,85	79,4	3,13	65,3	2,57	14,5	0,57

For 6 spiral hoses

AY6CH

“SUPERCAT” style - 60° elbow flange

NO SKIVE



FITTING

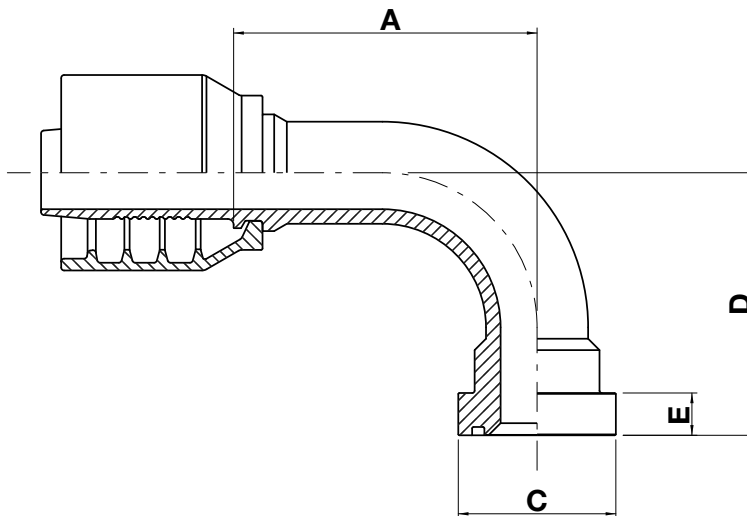
NPTF
 JIC
 ORFS
 JIS
 BSP-BSPT
 METRIC
 SAE 3000 CODE 61
 SAE 6000 CODE 62
 TAPERED SAE
SUPERCAT STYLE
 STAPLE LOCK
 H.P. STAPLE LOCK
 LOK-IT

code	ø hose			flange	A		C		D		E	
	dn	inch	size		mm	in	mm	in	mm	in	mm	in
AY6CH-20-20	31	1.1/4"	20	1.1/4"	114,5	4,51	54,0	2,13	59,0	2,32	14,5	0,57
AY6CH-20-24	31	1.1/4"	20	1.1/2"	137,0	5,39	63,5	2,50	67,2	2,65	14,5	0,57
AY6CH-24-24	38	1.1/2"	24	1.1/2"	153,5	6,04	63,5	2,50	68,7	2,70	14,5	0,57
AY4CH-32-32	51	2"	32	2"	174,0	6,85	79,4	3,13	91,7	3,61	14,5	0,57

AY9CH

“SUPERCAT” style - 90° elbow flange

NO SKIVE



- FITTING**
- NPTF
 - JIC
 - ORFS
 - JIS
 - BSP-BSPT
 - METRIC
 - SAE 3000 CODE 61
 - SAE 6000 CODE 62
 - TAPERED SAE
 - SUPERCAT STYLE**
 - STAPLE LOCK
 - H.P. STAPLE LOCK
 - LOK-IT

code	ø hose			flange	A		C		D		E	
	dn	inch	size		mm	in	mm	in	mm	in	mm	in
AY9CH-20-16	31	1.1/4"	20	1"	100,4	3,95	47,6	1,88	90,0	3,54	14,5	0,57
AY9CH-20-20	31	1.1/4"	20	1.1/4"	104,0	4,09	54,0	2,13	90,0	3,54	14,5	0,57
AY9CH-20-24	31	1.1/4"	20	1.1/2"	104,2	4,10	63,5	2,50	100,0	3,94	14,5	0,57
AY9CH-24-24	38	1.1/2"	24	1.1/2"	126,5	4,98	63,5	2,50	106,0	4,17	14,5	0,57
AY9CH-24-32	38	1.1/2"	24	2"	126,5	4,98	79,4	3,13	121,5	4,78	14,5	0,57
AY9CH-32-32	51	2"	32	2"	162,0	6,38	79,4	3,13	136,0	5,35	14,5	0,57

For 6 spiral hoses

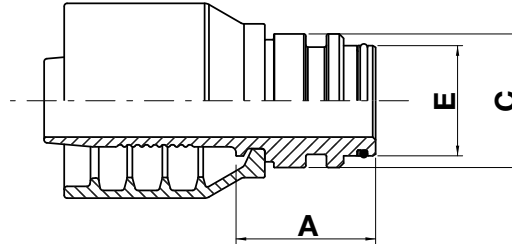
ST11H

Staple lock male

NO SKIVE

FITTING

NPTF
JIC
ORFS
JIS
BSP-BSPT
METRIC
SAE 3000 CODE 61
SAE 6000 CODE 62
TAPERED SAE
SUPERCAT STYLE
STAPLE LOCK
H.P. STAPLE LOCK
LOK-IT



code	ø hose			A		C		E	
	dn	inch	size	mm	in	mm	in	mm	in
ST11H-20-20	31	1.1/4"	20	48,0	1,89	45,9	1,81	37,9	1,49
ST11H-24-24	38	1.1/2"	24	52,9	2,08	54,9	2,16	46,9	1,84
ST11H-32-32	51	2"	32	60,7	2,39	63,9	2,51	55,9	2,20

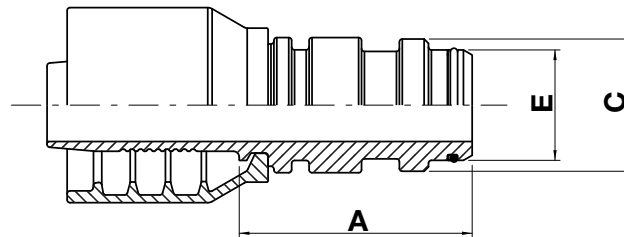
For 6 spiral hoses

SS11H

High pressure staple lock male

NO SKIVE

H



FITTING

- NPTF
- JIC
- ORFS
- JIS
- BSP-BSPT
- METRIC
- SAE 3000 CODE 61
- SAE 6000 CODE 62
- TAPERED SAE
- SUPERCAT STYLE
- STAPLE LOCK
- H.P. STAPLE LOCK**
- LOK-IT

code	ø hose			A		C		E	
	dn	inch	size	mm	in	mm	in	mm	in
SS11H-20-20	31	1.1/4"	20	80,0	3,15	45,4	1,79	37,9	1,49
SS11H-24-24	38	1.1/2"	24	82,5	3,25	54,4	2,14	43,9	1,73
SS11H-32-32	51	2"	32	95,0	3,74	63,4	2,50	49,9	1,96

For 6 spiral hoses

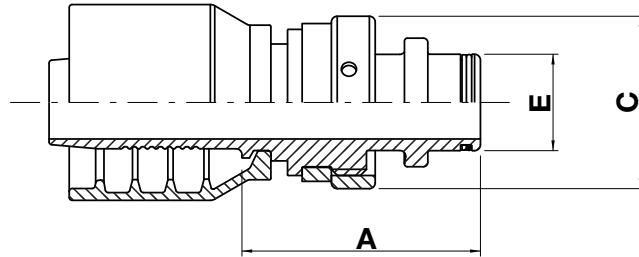
HVM11H HVM11HLZ

High pressure Lok-IT male

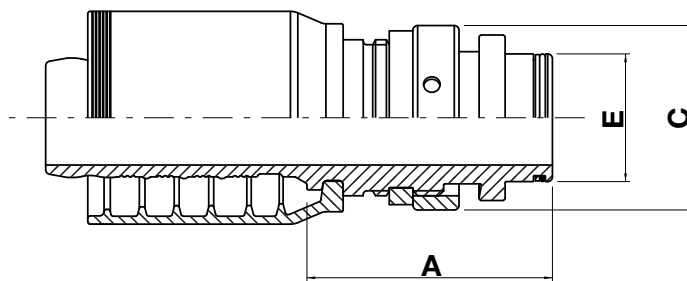
NO SKIVE

FITTING

- NPTF
- JIC
- ORFS
- JIS
- BSP-BSPT
- METRIC
- SAE 3000 CODE 61
- SAE 6000 CODE 62
- TAPERED SAE
- SUPERCAT STYLE
- STAPLE LOCK
- H.P. STAPLE LOCK
- LOK-IT**



code	ø hose			C		E		A	
	dn	inch	size	mm	in	mm	in	mm	in
HVM11H-20-20	31	1.1/4"	20	52,0	2,04	33,0	1,29	79,0	3,11
HVM11H-24-24	38	1.1/2"	24	64,0	2,51	42,0	1,65	87,5	3,44
HVM11H-32-32	51	2"	32	85,0	3,34	54,0	2,12	92,0	3,62



HVM11HLZ-32-32*	51	2"	32	78,0	3,07	54,0	2,12	97,0	3,82
-----------------	----	----	----	------	------	------	------	------	------

* heavy duty fitting

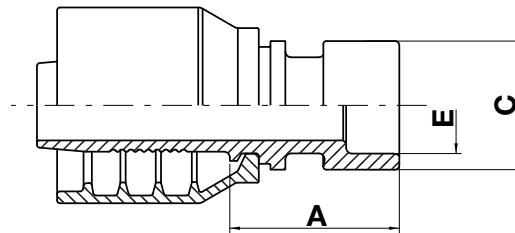
For 6 spiral hoses

HVF10H HVF10HLZ

High pressure Lok-IT female

NO SKIVE

H

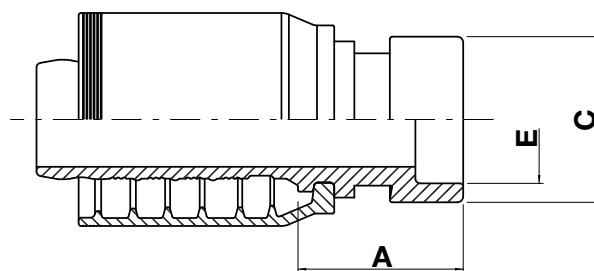


FITTING

- NPTF
- JIC
- ORFS
- JIS
- BSP-BSPT
- METRIC
- SAE 3000 CODE 61
- SAE 6000 CODE 62
- TAPERED SAE
- SUPERCAT STYLE
- STAPLE LOCK
- H.P. STAPLE LOCK

LOK-IT

code	ø hose			C		E		A	
	dn	inch	size	mm	in	mm	in	mm	in
HVF10H-20-20	31	1.1/4"	20	44,0	1,73	33,0	1,29	58,0	2,28
HVF10H-24-24	38	1.1/2"	24	54,0	2,12	42,0	1,65	59,0	2,32
HVF10H-32-32	51	2"	32	70,0	2,75	54,0	2,12	68,7	2,70



HVF10HLZ-32-32*	51	2"	32	70,0	2,76	54,0	2,12	75,0	2,95
-----------------	----	----	----	------	------	------	------	------	------

* heavy duty fitting



SERIES

**For SAE 100 R7
thermoplastic
and R14 teflon hoses
No skive**

product	standard	code	description	page
Fitting	NPTF NPSM	MN10T	NPTF male (60° cone seat)	247
		MG10T	NPTF male swivel (60° cone seat)	248
		KG91T	NPTF male swivel - 90° compact elbow	249
		FN10T	NPTF female rigid	250
		FN11T	NPSM female swivel (60° cone seat)	251
	JIC	MJ10T	JIC 37° male	252
		FJ11T	JIC 37° female swivel	253
		FJ41T	JIC 37° female swivel - 45° elbow	255
		FJ91T	JIC 37° female swivel - 90° elbow	256
		FJ91T-L	JIC 37° female swivel - 90° elbow (long drop)	258
	ORFS	OR13T	ORFS female swivel	259
		OR11T	ORFS short female swivel	260
		OR44T	ORFS female swivel - 45° elbow	261
		OR94T	ORFS female swivel - 90° elbow	262
	SAE	FU11T	SAE 45° female swivel	263
		FU91T	SAE 45° female swivel - 90° elbow	264
		ME10T	O-ring boss male	265
		MV10T	O-ring boss male swivel	266
		MV40T	O-ring boss male swivel - 45° elbow	267
		MV90T	O-ring boss male swivel - 90° elbow	268
		KV91T	O-Ring boss male swivel - 90° compact elbow	269
	JIS	FT11T	Japanese "T" style termination female swivel 60° cone	270
		FK11T	Japanese "KOM" style termination female swivel 60° cone	271
	BSP BSPT	MT10T	BSPT tapered male 60° cone	272
		FB13T	BSP female swivel 60° cone	273
		FB43T	BSP female swivel 60° cone - 45° elbow	274
		FB93T	BSP female swivel 60° cone - 90° elbow	275
	METRIC	ML10T	Metric light male (24° cone seat)	276
		FL13T	Metric light female swivel (24° cone seat)	277
		FL43T	Metric light female swivel - 45° elbow (24° cone seat)	278
FL93T		Metric light female swivel - 90° elbow (24° cone seat)	279	
MS10T		Metric heavy male (24° cone seat)	280	
FS13T		Metric heavy female swivel (24° cone seat)	281	

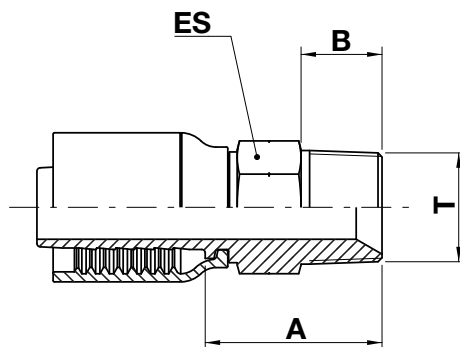
product	standard	code	description	page
Fitting	METRIC	FS43T	Metric heavy female swivel - 45° elbow (24° cone seat)	282
		FS93T	Metric heavy female swivel - 90° elbow (24° cone seat)	283
	-	WO10T	Brazing tail	284

MN10T

NPTF male (60° cone seat)

NO SKIVE

SAE J514



FITTING

NPTF-NPSM

JIC

ORFS

SAE

JIS

BSP-BSPT

METRIC

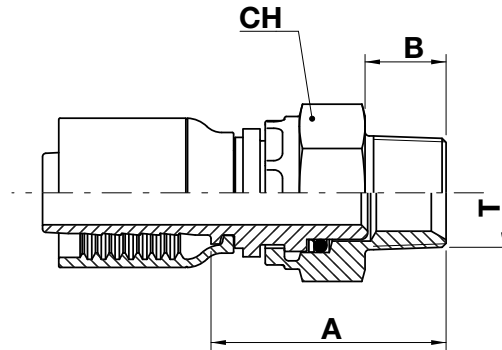
code	ø hose			T	A		B		ES		
	dn	inch	size		mm	in	mm	in	mm	in	↻ in
MN10T-02-02	3	1/8"	02	1/8"-27	20,8	0,82	9,5	0,37	11,11	0,437	7/16"
MN10T-02-04	3	1/8"	02	1/4"-18	25,3	1,00	14,0	0,55	14,0	0,551	9/16"
MN10T-03-02	5	3/16"	03	1/8"-27	20,5	0,81	9,5	0,37	11,11	0,437	7/16"
MN10T-03-04	5	3/16"	03	1/4"-18	25,5	1,00	14,0	0,55	14,0	0,551	9/16"
MN10T-04-02	6	1/4"	04	1/8"-27	22,0	0,87	9,5	0,37	14,0	0,551	9/16"
MN10T-04-04	6	1/4"	04	1/4"-18	26,5	1,04	14,0	0,55	14,0	0,551	9/16"
MN10T-04-06	6	1/4"	04	3/8"-18	28,0	1,10	14,0	0,55	19,0	0,748	3/4"
MN10T-05-04	8	5/16"	05	1/4"-18	26,5	1,04	14,0	0,55	14,0	0,551	9/16"
MN10T-05-06	8	5/16"	05	3/8"-18	28,0	1,10	14,0	0,55	19,0	0,748	3/4"
MN10T-06-04	10	3/8"	06	1/4"-18	26,5	1,04	14,0	0,55	17,0	0,669	11/16"
MN10T-06-06	10	3/8"	06	3/8"-18	28,0	1,10	14,0	0,55	19,0	0,748	3/4"
MN10T-06-08	10	3/8"	06	1/2"-14	33,0	1,30	19,0	0,75	22,0	0,866	7/8"
MN10T-08-06	12	1/2"	08	3/8"-18	28,5	1,12	14,0	0,55	19,0	0,748	3/4"
MN10T-08-08	12	1/2"	08	1/2"-14	33,5	1,32	19,0	0,75	22,0	0,866	7/8"
MN10T-10-08	16	5/8"	10	1/2"-14	33,5	1,32	19,0	0,75	24,0	0,945	15/16"
MN10T-12-12	19	3/4"	12	3/4"-14	41,5	1,63	19,0	0,75	27,0	1,063	1.1/16"
MN10T-16-16	25	1"	16	1"-11.1/2	48,0	1,89	24,0	0,94	36,0	1,417	1.1/16"

MG10T

NPTF male swivel (60° cone seat)

NO SKIVE

SAE J514



FITTING

NPTF- NPSM

- JIC
- ORFS
- SAE
- JIS
- BSP-BSPT
- METRIC

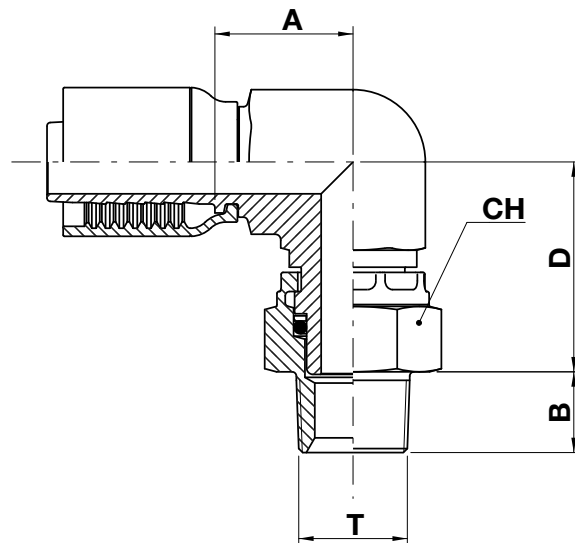
code	ø hose			T	A		B		CH		
	dn	inch	size		mm	in	mm	in	mm	in	↻ in
MG10T-03-04	5	3/16"	03	1/4"-18	32,3	1,27	14,0	0,55	17,0	0,669	11/16"
MG10T-04-04	6	1/4"	04	1/4"-18	36,5	1,44	14,0	0,55	17,0	0,669	11/16"
MG10T-06-04	10	3/8"	06	1/4"-18	33,5	1,32	14,0	0,55	17,0	0,669	11/16"
MG10T-06-06	10	3/8"	06	3/8"-18	41,8	1,65	14,0	0,55	22,0	0,866	7/8"
MG10T-08-08	12	1/2"	08	1/2"-14	42,0	1,65	19,0	0,75	27,0	1,063	1.1/16"
MG10T-12-12	19	3/4"	12	3/4"-14	55,0	2,17	19,4	0,76	36,0	1,417	1.1/16"
MG10T-16-16	25	1"	16	1"-11.1/2	62,5	2,46	24,2	0,95	38,0	1,496	1.1/2"

KG91T KG96T

NPTF male swivel - 90° compact elbow

NO SKIVE

SAE J514



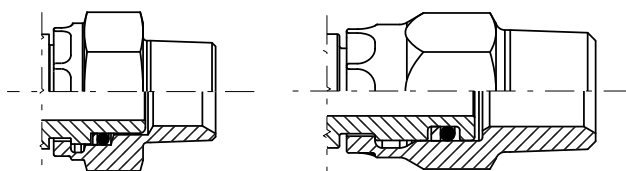
FITTING
NPTF-NPSM
 JIC
 ORFS
 SAE
 JIS
 BSP-BSPT
 METRIC

code	ø hose			T	A		B		D		CH		
	dn	inch	size		mm	in	mm	in	mm	in	mm	in	↻ in
KG91T-04-04	6	1/4"	04	1/4"-18	18,5	0,73	14,0	0,55	28,0	11,0	17,0	0,669	11/16"
KG96T-04-06	6	1/4"	04	3/8"-18	19,5	0,77	14,0	0,55	37,0	14,6	19,0	0,748	3/4"
KG96T-06-06	10	3/8"	06	3/8"-18	21,5	0,85	14,0	0,55	40,0	15,7	19,0	0,748	3/4"
KG91T-06-08	10	3/8"	06	1/2"-14	25,0	0,98	19,0	0,75	45,5	17,9	27,0	1,063	1.1/16"
KG91T-08-08	12	1/2"	08	1/2"-14	26,5	1,04	19,0	0,75	45,5	17,9	27,0	1,063	1.1/16"
KG91T-12-12	19	3/4"	12	3/4"-14	32,5	1,28	19,0	0,75	49,5	19,5	36,0	1,417	1.7/16"
KG91T-16-16	25	1"	16	1"-11.1/2	34,0	1,34	24,2	0,95	52,5	2,07	38,0	1,496	1.1/2"

Nut type

KG91

KG96 (imperial nut)



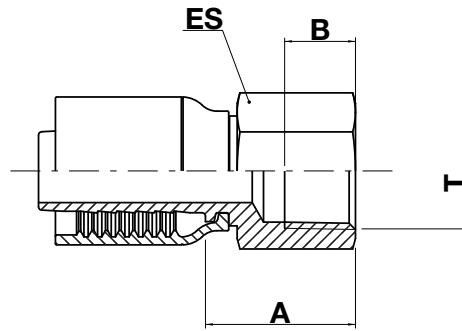
For SAE 100 R7 thermoplastic and R14 teflon hoses

FN10T

NPTF female rigid

NO SKIVE

SAE J514



FITTING

NPTF- NPSM

- JIC
- ORFS
- SAE
- JIS
- BSP-BSPT
- METRIC

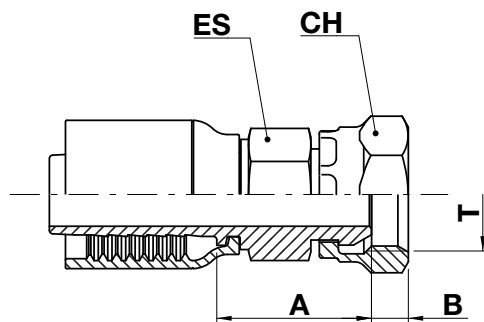
code	ø hose			T	A		B		ES		
	dn	inch	size		mm	in	mm	in	mm	in	↻ in
FN10T-04-04	6	1/4"	04	1/4"-18	26,5	1,04	12,0	0,47	19,0	0,748	3/4"
FN10T-04-06	6	1/4"	04	3/8"-18	28,0	1,10	12,7	0,50	22,0	0,866	7/8"
FN10T-06-06	10	3/8"	06	3/8"-18	28,0	1,10	12,7	0,50	22,0	0,866	7/8"
FN10T-08-08	12	1/2"	08	1/2"-14	33,5	1,32	17,0	0,67	27,0	1,063	1.1/16"

FN11T

NPSM female swivel (60° cone seat)

NO SKIVE

SAE J514



FITTING

NPTF-NPSM

JIC

ORFS

SAE

JIS

BSP-BSPT

METRIC

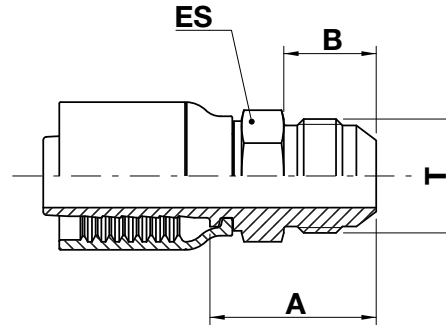
code	ø hose			T	A		B		ES			CH		
	dn	inch	size		mm	in	mm	in	mm	in	↻ in	mm	in	↻ in
FN11T-02-04	3	1/8"	02	1/4"-18	22,8	0,90	4,2	0,17	19,0	0,748	3/4"	19,0	0,748	3/4"
FN11T-03-04	5	3/16"	03	1/4"-18	22,8	0,90	4,2	0,17	19,0	0,748	3/4"	19,0	0,748	3/4"
FN11T-04-04	6	1/4"	04	1/4"-18	24,0	0,94	4,2	0,17	14,0	0,551	9/16"	19,0	0,748	3/4"
FN11T-05-04	8	5/16"	05	1/4"-18	24,0	0,94	4,2	0,17	19,0	0,748	3/4"	19,0	0,748	3/4"
FN11T-06-06	10	3/8"	06	3/8"-18	26,5	1,04	5,7	0,22	22,0	0,866	7/8"	22,0	0,866	7/8"
FN11T-08-08	12	1/2"	08	1/2"-14	29,0	1,14	6,9	0,27	22,0	0,866	7/8"	27,0	1,063	1.1/16"

MJ10T

JIC 37° male

NO SKIVE

ISO 8434-2 / SAE J514



FITTING

NPTF- NPSM

JIC

ORFS

SAE

JIS

BSP-BSPT

METRIC

code	ø hose			T	A		B		ES		
	dn	inch	size		mm	in	mm	in	mm	in	↻ in
MJ10T-03-04	5	3/16"	03	7/16"-20	25,8	1,02	14,0	0,55	14,0	0,551	9/16"
MJ10T-04-04	6	1/4"	04	7/16"-20	26,5	1,04	14,0	0,55	14,0	0,551	9/16"
MJ10T-04-05	6	1/4"	04	1/2"-20	26,5	1,04	14,0	0,55	14,0	0,551	9/16"
MJ10T-04-06	6	1/4"	04	9/16"-18	27,5	1,08	14,0	0,55	17,0	0,669	11/16"
MJ10T-05-05	8	5/16"	05	1/2"-20	26,5	1,04	14,0	0,55	14,0	0,551	9/16"
MJ10T-05-06	8	5/16"	05	9/16"-18	27,5	1,08	14,1	0,56	17,0	0,669	11/16"
MJ10T-06-06	10	3/8"	06	9/16"-18	27,5	1,08	14,1	0,56	17,0	0,669	11/16"
MJ10T-06-08	10	3/8"	06	3/4"-16	30,2	1,19	16,7	0,66	19,0	0,748	3/4"
MJ10T-08-08	12	1/2"	08	3/4"-16	30,7	1,21	16,7	0,66	19,0	0,748	3/4"
MJ10T-08-10	12	1/2"	08	7/8"-14	35,0	1,38	19,3	0,76	24,0	0,945	15/16"
MJ10T-08-12	12	1/2"	08	1.1/16"-12	39,0	1,54	21,9	0,86	27,0	1,063	1.1/16"
MJ10T-12-12	19	3/4"	12	1.1/16"-12	39,4	1,55	21,9	0,86	27,0	1,063	1.1/16"

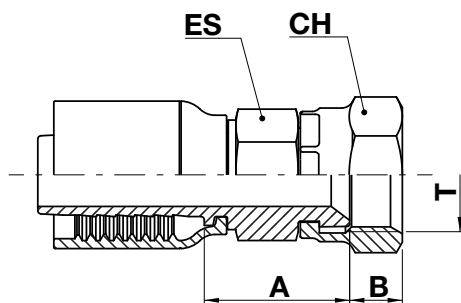
FJ11T FJ16T



JIC 37° female swivel

NO SKIVE

ISO 8434-2 / SAE J514



- FITTING**
- NPTF-NPSM
 - JIC**
 - ORFS
 - SAE
 - JIS
 - BSP-BSPT
 - METRIC

code	ø hose			T	A		B		ES			CH		
	dn	inch	size		mm	in	mm	in	mm	in	↗ in	mm	in	↗ in
FJ11T-02-03	3	1/8"	02	3/8"-24	20,0	0,79	8,3	0,33	14,0	0,551	9/16"	14,0	0,551	9/16"
FJ11T-02-04	3	1/8"	02	7/16"-20	19,6	0,77	8,7	0,34	11,11	0,437	7/16"	14,0	0,551	9/16"
FJ11T-03-04	5	3/16"	03	7/16"-20	19,5	0,77	8,7	0,34	11,11	0,437	7/16"	14,0	0,551	9/16"
FJ11T-03-05	5	3/16"	03	1/2"-20	20,8	0,82	9,5	0,37	14,0	0,551	9/16"	17,0	0,669	11/16"
FJ11T-04-04	6	1/4"	04	7/16"-20	20,8	0,82	8,7	0,34	14,0	0,551	9/16"	14,0	0,551	9/16"
FJ11T-04-05	6	1/4"	04	1/2"-20	21,5	0,85	9,5	0,37	14,0	0,551	9/16"	17,0	0,669	11/16"
FJ11T-04-06	6	1/4"	04	9/16"-18	23,0	0,91	9,5	0,37	14,0	0,551	9/16"	19,0	0,748	3/4"
FJ16T-04-06	6	1/4"	04	9/16"-18	23,0	0,91	9,5	0,37	14,0	0,551	9/16"	17,46	0,687	11/16"
FJ11T-05-05	8	5/16"	05	1/2"-20	15,5	0,61	9,5	0,37	-	-	-	17,0	0,669	11/16"
FJ11T-05-06	8	5/16"	05	9/16"-18	21,0	0,83	9,5	0,37	14,0	0,551	9/16"	19,0	0,748	3/4"
FJ16T-05-06	8	5/16"	05	9/16"-18	21,0	0,83	9,5	0,37	14,0	0,551	9/16"	17,46	0,687	11/16"
FJ11T-06-06	10	3/8"	06	9/16"-18	24,0	0,94	9,5	0,37	17,0	0,669	11/16"	19,0	0,748	3/4"
FJ16T-06-06	10	3/8"	06	9/16"-18	24,0	0,94	9,5	0,37	17,0	0,669	11/16"	17,46	0,687	11/16"
FJ11T-06-08	10	3/8"	06	3/4"-16	26,0	1,02	10,7	0,42	19,0	0,748	3/4"	22,0	0,866	7/8"
FJ16T-08-06	12	1/2"	08	9/16"-18	26,5	1,04	9,5	0,37	19,0	0,748	3/4"	17,46	0,687	11/16"
FJ11T-08-08	12	1/2"	08	3/4"-16	26,5	1,04	10,7	0,42	19,0	0,748	3/4"	22,0	0,866	7/8"
FJ11T-08-10	12	1/2"	08	7/8"-14	28,5	1,12	12,7	0,50	22,0	0,866	7/8"	27,0	1,063	1.1/16"
FJ11T-08-12	12	1/2"	08	1.1/16"-12	34,0	1,34	14,3	0,56	27,0	1,063	1.1/16"	32,0	1,260	1.1/4"
FJ11T-10-10	16	5/8"	10	7/8"-14	28,5	1,12	12,7	0,50	22,0	0,866	7/8"	27,0	1,063	1.1/16"



For SAE 100 R7 thermoplastic and R14 teflon hoses

← **FJ11T FJ16T**

NO SKIVE

FITTING

NPTF- NPSM

JIC

ORFS

SAE

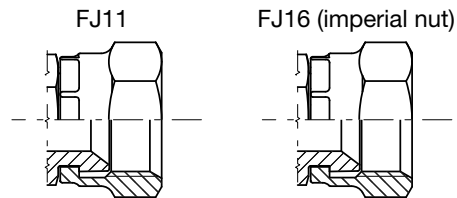
JIS

BSP-BSPT

METRIC

code	ø hose			T	A		B		ES			CH		
	dn	inch	size		mm	in	mm	in	mm	in	↗ in	mm	in	↗ in
FJ11T-10-12	16	5/8"	10	1.1/16"-12	34,0	1,34	14,3	0,56	27,0	1,063	1.1/16"	32,0	1,260	1.1/4"
FJ11T-12-12	19	3/4"	12	1.1/16"-12	34,5	1,36	14,3	0,56	27,0	1,063	1.1/16"	32,0	1,260	1.1/4"
FJ11T-12-16	19	3/4"	12	1.5/16"-12	38,5	1,51	15,1	0,59	32,0	1,260	1.1/4"	38,0	1,496	1.1/2"
FJ11T-14-16	22	7/8"	16	1.5/16"-12	37,5	1,48	15,1	0,59	32,0	1,260	1.1/4"	38,0	1,496	1.1/2"
FJ11T-16-16	25	1"	16	1.5/16"-12	38,0	1,50	15,1	0,59	32,0	1,260	1.1/4"	38,0	1,496	1.1/2"

Nut type

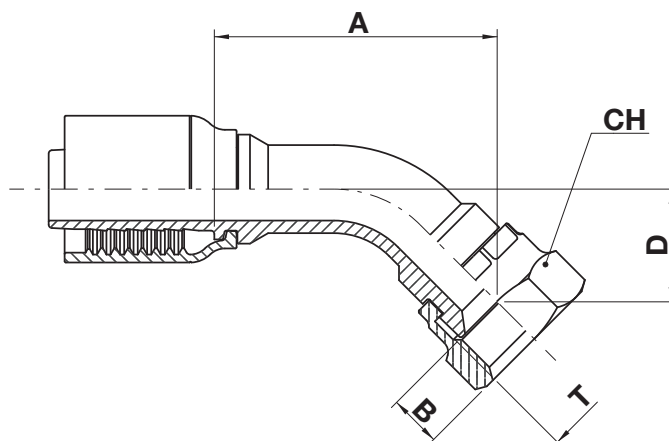


FJ41T FJ43T FJ46T

JIC 37° female swivel - 45° elbow

NO SKIVE

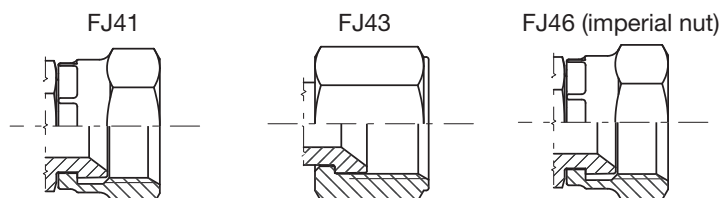
ISO 8434-2 / SAE J514



.....
FITTING
 NPTF-NPSM
JIC
 ORFS
 SAE
 JIS
 BSP-BSPT
 METRIC

code	ø hose			T	A		B		D		CH		
	dn	inch	size		mm	in	mm	in	mm	in	mm	in	↻ in
FJ41T-03-04	5	3/16"	03	7/16"-20	30,3	1,19	8,7	0,34	11,1	0,44	14,0	0,551	9/16"
FJ41T-04-04	6	1/4"	04	7/16"-20	32,0	1,26	8,7	0,34	11,1	0,44	14,0	0,551	9/16"
FJ41T-04-05	6	1/4"	04	1/2"-20	34,5	1,36	10,5	0,41	14,8	0,58	17,0	0,669	11/16"
FJ43T-04-06	6	1/4"	04	9/16"-18	33,1	1,30	9,5	0,37	13,4	0,53	19,0	0,748	3/4"
FJ41T-05-06	8	5/16"	05	9/16"-18	30,9	1,22	9,5	0,37	12,1	0,48	19,0	0,748	3/4"
FJ41T-05-06	8	5/16"	05	9/16"-18	30,9	1,22	9,5	0,37	12,1	0,48	19,0	0,748	3/4"
FJ41T-06-06	10	3/8"	06	9/16"-18	33,9	1,33	9,5	0,37	12,1	0,48	19,0	0,748	3/4"
FJ46T-06-06	10	3/8"	06	9/16"-18	33,9	1,33	9,5	0,37	12,1	0,48	17,46	0,687	11/16"
FJ43T-06-08	10	3/8"	06	3/4"-16	42,5	1,67	10,7	0,42	15,0	0,59	22,0	0,866	7/8"
FJ41T-08-08	12	1/2"	08	3/4"-16	40,7	1,60	10,7	0,42	13,8	0,54	22,0	0,866	7/8"
FJ43T-08-10	12	1/2"	08	7/8"-14	44,0	1,73	12,5	0,49	16,0	0,63	27,0	1,063	1.1/16"
FJ41T-10-10	16	5/8"	10	7/8"-14	54,0	2,13	12,7	0,50	16,0	0,63	27,0	1,063	1.1/16"
FJ41T-10-12	16	5/8"	10	1.1/16"-12	60,5	2,38	14,3	0,56	21,0	0,83	32,0	1,260	1.1/4"
FJ41T-12-12	19	3/4"	12	1.1/16"-12	64,5	2,54	14,3	0,56	21,0	0,83	32,0	1,260	1.1/4"
FJ41T-16-16	25	1"	16	1.5/16"-12	86,0	3,38	15,1	0,59	34,5	1,36	38,0	1,496	1.1/2"

Nut type



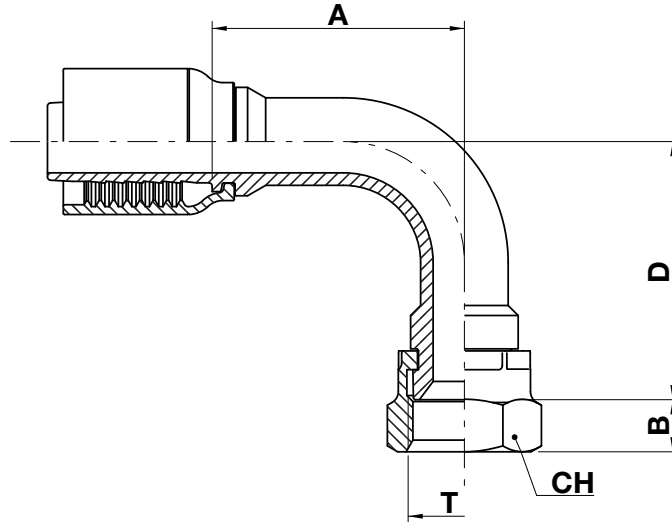
FJ91T FJ93T FJ96T



JIC 37° female swivel - 90° elbow

NO SKIVE

ISO 8434-2 / SAE J514



FITTING

NPTF- NPSM

JIC

ORFS

SAE

JIS

BSP-BSPT

METRIC

code	ø hose			T	A		B		D		CH		
	dn	inch	size		mm	in	mm	in	mm	in	mm	in	↻ in
FJ91T-03-04	5	3/16"	03	7/16"-20	26,5	1,04	8,7	0,34	21,0	0,83	14,0	0,551	9/16"
FJ91T-04-04	6	1/4"	04	7/16"-20	27,0	1,06	8,7	0,34	21,0	0,83	14,0	0,551	9/16"
FJ91T-04-05	6	1/4"	04	1/2"-20	30,7	1,21	9,5	0,37	30,0	1,18	17,0	0,669	11/16"
FJ93T-04-06	6	1/4"	04	9/16"-18	28,5	1,12	9,5	0,37	28,0	1,10	19,0	0,748	3/4"
FJ96T-04-06	6	1/4"	04	9/16"-18	28,5	1,12	9,5	0,37	23,0	0,91	17,46	0,687	11/16"
FJ91T-05-05	8	5/16"	05	1/2"-20	32,8	1,29	9,5	0,37	30,0	1,18	17,0	0,669	11/16"
FJ91T-05-06	8	5/16"	05	9/16"-18	33,9	1,33	9,5	0,37	23,0	0,91	19,0	0,748	3/4"
FJ96T-05-06	8	5/16"	05	9/16"-18	33,9	1,33	9,5	0,37	23,0	0,91	17,46	0,687	11/16"
FJ91T-06-06	10	3/8"	06	9/16"-18	27,8	1,09	9,5	0,37	23,0	0,91	19,0	0,748	3/4"
FJ96T-06-06	10	3/8"	06	9/16"-18	27,8	1,09	9,5	0,37	23,0	0,91	17,46	0,687	11/16"
FJ93T-06-08	10	3/8"	06	3/4"-16	35,0	1,38	10,7	0,42	30,0	1,18	22,0	0,866	7/8"
FJ91T-08-08	12	1/2"	08	3/4"-16	39,5	1,56	10,7	0,42	30,0	1,18	22,0	0,866	7/8"
FJ93T-08-10	12	1/2"	08	7/8"-14	44,0	1,73	12,5	0,49	32,0	1,26	27,0	1,063	1.1/16"
FJ91T-10-10	16	5/8"	10	7/8"-14	48,5	1,91	12,7	0,50	32,0	1,26	27,0	1,063	1.1/16"
FJ91T-10-12	16	5/8"	10	1.1/16"-12	56,0	2,26	14,3	0,56	48,0	1,89	32,0	1,260	1.1/4"
FJ91T-12-12	19	3/4"	12	1.1/16"-12	61,0	2,41	13,8	0,54	48,0	1,89	32,0	1,260	1.1/4"
FJ91T-16-16	25	1"	16	1.5/16"-12	75,5	2,97	15,1	0,59	71,0	2,80	38,0	1,496	1.1/2"



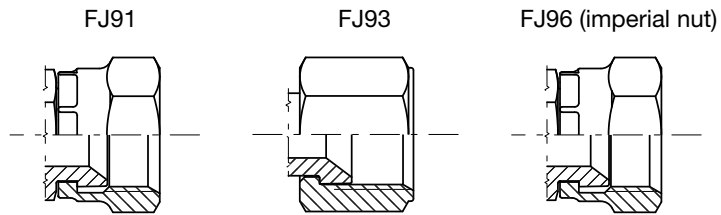
For SAE 100 R7 thermoplastic and R14 teflon hoses

← **FJ91T FJ93T FJ96T**

NO SKIVE

T

Nut type



FITTING

NPTF-NPSM

JIC

ORFS

SAE

JIS

BSP-BSPT

METRIC

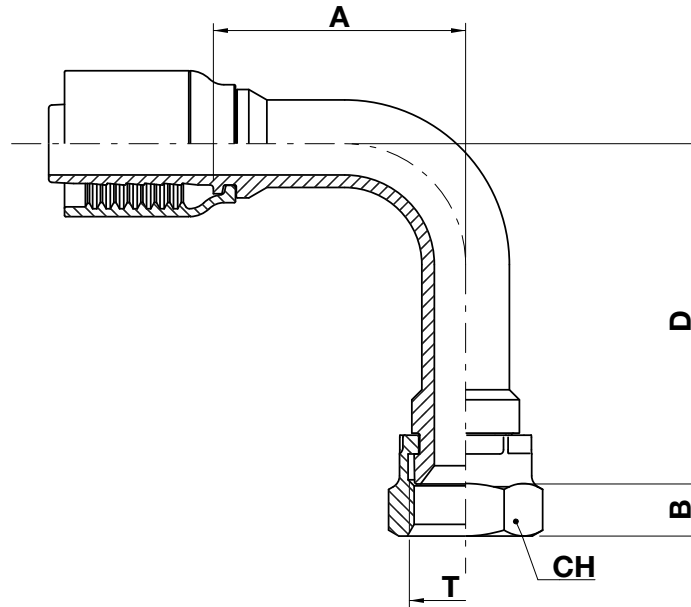


FJ91T-L FJ96T-L

JIC 37° female swivel - 90° elbow (long drop)

NO SKIVE

ISO 8434-2 / SAE J514



FITTING

NPTF- NPSM

JIC

ORFS

SAE

JIS

BSP-BSPT

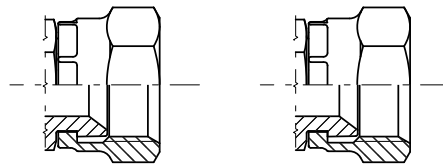
METRIC

code	ø hose			T	A		B		D		CH		
	dn	inch	size		mm	in	mm	in	mm	in	mm	in	↻ in
FJ91T-04-04-L	6	1/4"	04	7/16"-20	29,5	1,16	8,7	0,34	46,0	1,81	14,0	0,551	9/16"
FJ91T-04-05-L	6	1/4"	04	1/2"-20	30,7	1,21	9,5	0,37	46,0	1,81	17,0	0,669	11/16"
FJ91T-05-06-L	8	5/16"	05	9/16"-18	35,5	1,40	9,5	0,37	56,0	2,20	19,0	0,748	3/4"
FJ91T-06-06-L	10	3/8"	06	9/16"-18	35,5	1,40	9,5	0,37	56,0	2,20	19,0	0,748	3/4"
FJ91T-08-08-L	12	1/2"	08	3/4"-16	46,5	1,83	10,7	0,42	62,0	2,44	22,0	0,866	7/8"

Nut type

FJ91

FJ96 (imperial nut)

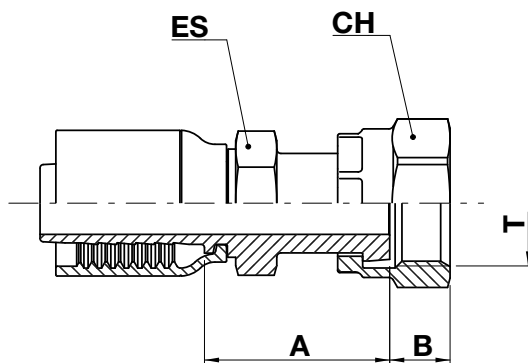


OR13T

ORFS female swivel

NO SKIVE

ISO 8434-3 / SAE J1453



FITTING

NPTF-NPSM

JIC

ORFS

SAE

JIS

BSP-BSPT

METRIC

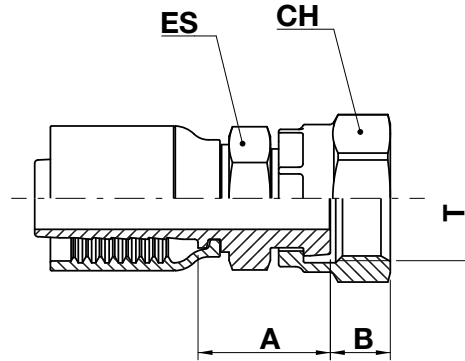
code	ø hose			T	A		B		ES			CH		
	dn	inch	size		mm	in	mm	in	mm	in	↗ in	mm	in	↗ in
OR13T-04-04	6	1/4"	04	9/16"-18	28,0	1,10	8,0	0,31	14,0	0,551	9/16"	17,0	0,669	11/16"
OR13T-04-06	6	1/4"	04	11/16"-16	31,5	1,24	9,5	0,37	17,0	0,669	11/16"	22,0	0,866	7/8"
OR13T-05-06	8	5/16"	05	11/16"-16	32,0	1,26	9,5	0,37	17,0	0,669	11/16"	22,0	0,866	7/8"
OR13T-06-06	10	3/8"	06	11/16"-16	32,0	1,26	9,5	0,37	17,0	0,669	11/16"	22,0	0,866	7/8"
OR13T-06-08	10	3/8"	06	13/16"-16	36,5	1,44	11,0	0,43	19,0	0,748	3/4"	24,0	0,945	15/16"
OR13T-08-08	12	1/2"	08	13/16"-16	35,0	1,38	11,0	0,43	19,0	0,748	3/4"	24,0	0,945	15/16"
OR13T-08-10	12	1/2"	08	1"-14	39,0	1,54	13,5	0,53	24,0	0,945	15/16"	30,0	1,181	1,3/16"
OR13T-10-10	16	5/8"	10	1"-14	39,0	1,54	13,5	0,53	24,0	0,945	15/16"	30,0	1,181	1,3/16"
OR13T-10-12	16	5/8"	10	1,3/16"-12	44,0	1,73	14,5	0,57	30,0	1,181	1,3/16"	36,0	1,417	1,7/16"
OR13T-12-12	19	3/4"	12	1,3/16"-12	44,6	1,76	14,5	0,57	30,0	1,181	1,3/16"	36,0	1,417	1,7/16"
OR13T-16-16	25	1"	16	1,7/16"-12	53,0	2,09	14,8	0,58	36,0	1,417	1,7/16"	41,0	1,614	1,5/8"

OR11T

ORFS short female swivel

NO SKIVE

ISO 8434-3 / SAE J1453



FITTING

NPTF- NPSM

JIC

ORFS

SAE

JIS

BSP-BSPT

METRIC

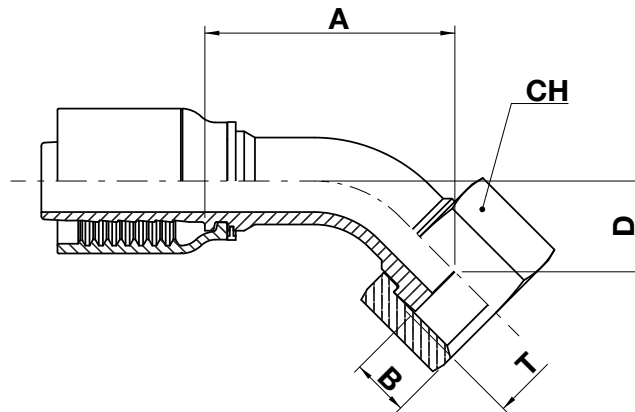
code	ø hose			T	A		B		ES			CH		
	dn	inch	size		mm	in	mm	in	mm	in	↗ in	mm	in	↗ in
OR11T-04-04	6	1/4"	04	9/16"-18	22,0	0,87	8,0	0,31	14,0	0,551	9/16"	17,0	0,669	11/16"
OR11T-04-06	6	1/4"	04	11/16"-16	23,5	0,92	9,5	0,37	17,0	0,669	11/16"	22,0	0,866	7/8"
OR11T-06-06	10	3/8"	06	11/16"-16	23,5	0,92	9,5	0,37	17,0	0,669	11/16"	22,0	0,866	7/8"
OR11T-06-08	10	3/8"	06	13/16"-16	27,0	1,06	11,0	0,43	19,0	0,748	3/4"	24,0	0,945	15/16"
OR11T-08-08	12	1/2"	08	13/16"-16	27,5	1,08	11,0	0,43	19,0	0,748	3/4"	24,0	0,945	15/16"
OR11T-08-10	12	1/2"	08	1"-14	29,0	1,14	13,5	0,53	24,0	0,945	15/16"	30,0	1,181	1.3/16"
OR11T-10-10	16	5/8"	10	1"-14	29,0	1,14	13,5	0,53	24,0	0,945	15/16"	30,0	1,181	1.3/16"
OR11T-10-12	16	5/8"	10	1.3/16"-12	31,5	1,24	14,5	0,57	30,0	1,181	1.3/16"	36,0	1,417	1.7/16"
OR11T-12-12	19	3/4"	12	1.3/16"-12	32,0	1,26	14,5	0,57	30,0	1,181	1.3/16"	36,0	1,417	1.7/16"
OR11T-16-16	25	1"	16	1.7/16"-12	40,0	1,57	14,8	0,58	36,0	1,417	1.7/16"	41,0	1,614	1.5/8"

OR44T

ORFS female swivel - 45° elbow

NO SKIVE

ISO 8434-3 / SAE J1453



T

FITTING

NPTF-NPSM

JIC

ORFS

SAE

JIS

BSP-BSPT

METRIC

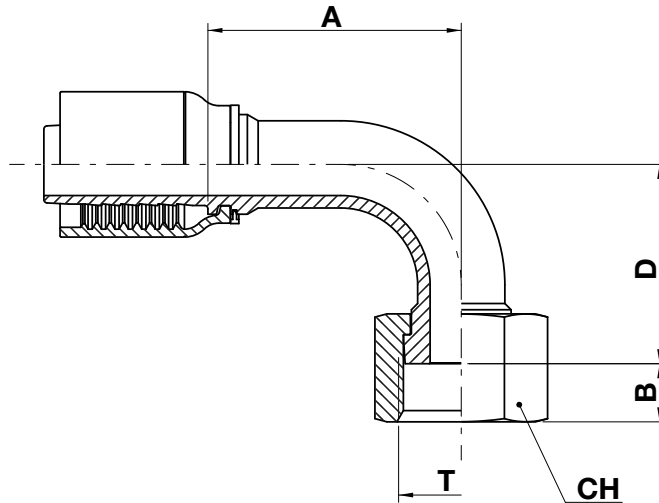
code	ø hose			T	A		B		D		CH		
	dn	inch	size		mm	in	mm	in	mm	in	mm	in	in
OR44T-04-04	6	1/4"	04	9/16"-18	29,5	1,16	8,0	0,31	10,0	0,39	17,0	0,669	11/16"
OR44T-04-06	6	1/4"	04	11/16"-16	29,0	1,14	9,5	0,37	11,0	0,43	22,0	0,866	7/8"
OR44T-05-06	8	5/16"	5	11/16"-16	35,5	1,40	9,5	0,37	11,0	0,43	22,0	0,866	7/8"
OR44T-08-08	12	1/2"	08	13/16"-16	43,0	1,69	11,0	0,43	15,0	0,59	24,0	0,945	15/16"
OR44T-10-10	16	5/8"	10	1"-14	48,5	1,91	13,5	0,53	16,0	0,63	30,0	1,181	1.3/16"
OR44T-10-12	16	5/8"	10	1.3/16"-12	60,5	2,38	14,5	0,57	23,0	0,90	36,0	1,417	1.7/16"
OR44T-12-12	19	3/4"	12	1.3/16"-12	62,0	2,44	14,5	0,57	21,0	0,83	36,0	1,417	1.7/16"
OR44T-12-16	19	3/4"	12	1.7/16"-12	63,0	2,48	14,8	0,58	24,0	0,94	41,0	1,614	1.5/8"
OR44T-16-16	25	1"	16	1.7/16"-12	73,0	2,87	14,8	0,58	24,0	0,94	41,0	1,614	1.5/8"

OR94T

ORFS female swivel - 90° elbow

NO SKIVE

ISO 8434-3 / SAE J1453



FITTING

NPTF- NPSM

JIC

ORFS

SAE

JIS

BSP-BSPT

METRIC

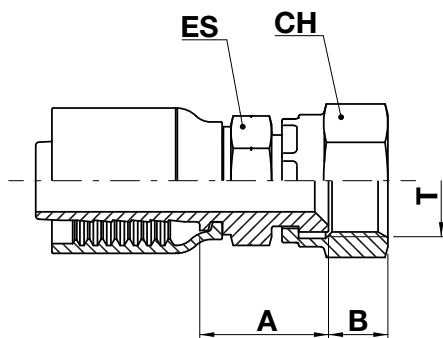
code	ø hose			T	A		B		D		CH		
	dn	inch	size		mm	in	mm	in	mm	in	mm	in	↻ in
OR94T-03-04	5	3/16"	03	9/16"-18	28,4	1,12	8,0	0,31	25,0	0,98	17,0	0,669	11/16"
OR94T-04-04	6	1/4"	04	9/16"-18	22,0	0,87	8,0	0,31	22,0	0,87	17,46	0,687	11/16"
OR94T-04-06	6	1/4"	04	11/16"-16	27,5	1,08	9,5	0,37	23,0	0,90	22,0	0,866	7/8"
OR94T-05-06	8	5/16"	05	11/16"-16	31,5	1,24	9,5	0,37	24,0	0,94	22,0	0,866	7/8"
OR94T-06-06	10	3/8"	06	11/16"-16	31,5	1,24	9,5	0,37	24,0	0,94	22,0	0,866	7/8"
OR94T-06-08	10	3/8"	06	13/16"-16	30,0	1,18	9,5	0,37	30,0	1,18	20,63	0,812	13/16"
OR94T-08-08	12	1/2"	08	13/16"-16	44,5	1,75	11,0	0,43	29,0	1,14	24,0	0,945	15/16"
OR94T-08-10	12	1/2"	08	1"-14	37,5	1,48	13,5	0,53	33,0	1,30	30,0	1,181	1.3/16"
OR94T-10-10	16	5/8"	10	1"-14	46,5	1,83	13,5	0,53	32,0	1,26	30,0	1,181	1.3/16"
OR94T-10-12	16	5/8"	10	13/16"-12	53,5	2,11	14,5	0,57	48,0	1,89	36,0	1,417	1.7/16"
OR94T-12-12	19	3/4"	12	1.3/16"-12	61,0	2,40	14,5	0,57	48,0	1,89	36,0	1,417	1.7/16"
OR94T-12-16	19	3/4"	12	1.3/16"-12	57,0	2,24	13,8	0,54	56,0	2,20	41,0	1,614	1.5/8"
OR94T-16-16	25	3/4"	16	1.3/16"-12	71,0	2,80	13,8	0,54	56,0	2,20	41,0	1,614	1.5/8"

FU11T

SAE 45° female swivel

NO SKIVE

SAE J512



FITTING

- NPTF-NPSM
- JIC
- ORFS
- SAE**
- JIS
- BSP-BSPT
- METRIC

code	ø hose			T	A		B		ES			CH		
	dn	inch	size		mm	in	mm	in	mm	in	↗ in	mm	in	↗ in
FU11T-02-04	3	1/8"	02	7/16"-20	19,6	0,77	8,7	0,34	10,0	0,394	-	15,0	0,591	5/8"
FU11T-04-04	6	1/4"	04	7/16"-20	20,5	0,80	8,7	0,34	14,0	0,551	9/16"	14,0	0,551	9/16"
FU11T-04-06	6	1/4"	04	5/8"-18	24,0	0,94	10,8	0,43	19,0	0,748	3/4"	22,0	0,866	7/8"
FU11T-05-06	8	5/16"	05	5/8"-18	24,0	0,94	10,8	0,43	19,0	0,748	3/4"	22,0	0,866	7/8"
FU11T-06-06	10	3/8"	06	5/8"-18	24,0	0,94	10,8	0,43	19,0	0,748	3/4"	22,0	0,866	7/8"
FU11T-08-08	12	1/2"	8	3/4"-16	28,0	1,10	10,8	0,43	19,0	0,748	3/4"	22,0	0,866	7/8"
FU11T-10-12	16	5/8"	10	1.1/16"-14	30,5	1,20	14,4	0,57	27,0	1,063	1.1/16"	32,0	1,260	1.1/4"
FU11T-12-12	19	3/4"	12	1.1/16"-14	31,0	1,22	14,4	0,57	27,0	1,063	1.1/16"	32,0	1,260	1.1/4"

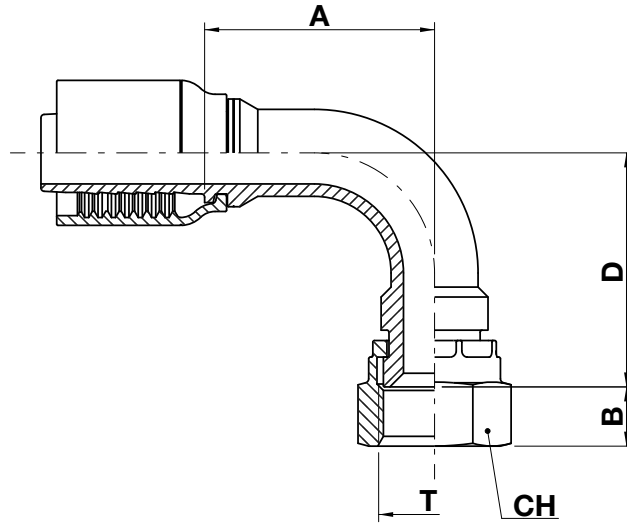
For SAE 100 R7 thermoplastic and R14 teflon hoses

FU91T

SAE 45° female swivel - 90° elbow

NO SKIVE

SAE J512



FITTING

NPTF- NPSM

JIC

ORFS

SAE

JIS

BSP-BSPT

METRIC

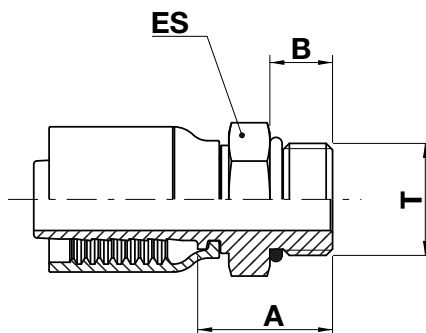
code	ø hose			T	A		B		D		CH		
	dn	inch	size		mm	in	mm	in	mm	in	mm	in	↻ in
FU91T-04-04	6	1/4"	04	7/16"-20	23,5	1,00	8,7	0,34	24,5	0,96	14,0	0,551	9/16"
FU91T-06-06	10	3/8"	06	5/8"-18	37,0	1,46	10,8	0,43	37,0	1,46	22,0	0,866	7/8"
FU91T-08-08	12	1/2"	08	3/4"-16	40,0	1,57	10,8	0,43	35,6	1,40	22,0	0,866	7/8"
FU91T-12-12	16	5/8"	10	1.1/16"-14	55,5	2,19	14,4	0,57	56,5	2,22	32,0	1,260	1.1/4"

ME10T*

O-ring boss male

NO SKIVE

SAE J1926



FITTING

NPTF-NPSM
JIC
ORFS
SAE
JIS
BSP-BSPT
METRIC

code	ø hose			T	A		B		ES		
	dn	inch	size		mm	in	mm	in	mm	in	↻ in
ME10T-04-04	6	1/4"	04	7/16"-20	22,0	0,87	9,15	0,36	14,0	0,551	9/16"
ME10T-04-05	6	1/4"	04	1/2"-20	23,5	0,93	9,15	0,36	17,0	0,669	11/16"
ME10T-04-06	6	1/4"	04	9/16"-18	24,5	0,96	10,0	0,39	17,0	0,669	11/16"
ME10T-06-06	10	3/8"	06	9/16"-18	24,5	0,96	9,9	0,39	17,0	0,669	11/16"
ME10T-06-08	10	3/8"	06	3/4"-16	26,5	1,04	11,1	0,44	22,0	0,866	7/8"
ME10T-06-10	10	3/8"	06	7/8"-14	28,5	1,12	12,7	0,50	27,0	1,063	1.1/16"
ME10T-08-08	12	1/2"	08	3/4"-16	27,0	1,06	11,1	0,44	22,0	0,866	7/8"
ME10T-08-10	12	1/2"	08	7/8"-14	29,0	1,14	12,7	0,50	27,0	1,063	1.1/16"
ME10T-08-12	12	1/2"	08	1.1/16"-12	32,0	1,26	15,1	0,59	32,0	1,260	1.1/4"
ME10T-10-08	16	5/8"	10	3/4"-16	27,5	1,08	11,1	0,44	24,0	0,945	15/16"
ME10T-10-10	16	5/8"	10	7/8"-14	29,0	1,14	12,7	0,50	27,0	1,063	1.1/16"
ME10T-10-12	16	5/8"	10	1.1/16"-12	32,0	1,26	15,0	0,59	32,0	1,260	1.1/4"
ME10T-12-12	19	3/4"	12	1.1/16"-12	32,5	1,28	15,0	0,59	32,0	1,260	1.1/4"
ME10T-12-14	19	3/4"	12	1.3/16"-12	37,5	1,48	15,1	0,59	36,0	1,417	1.7/16"
ME10T-12-16	19	3/4"	12	1.5/16"-12	38,5	1,52	15,1	0,59	36,0	1,417	1.7/16"
ME10T-16-16	25	1"	16	1.5/16"-12	39,1	1,54	15,1	0,59	38,0	1,496	1.1/2"

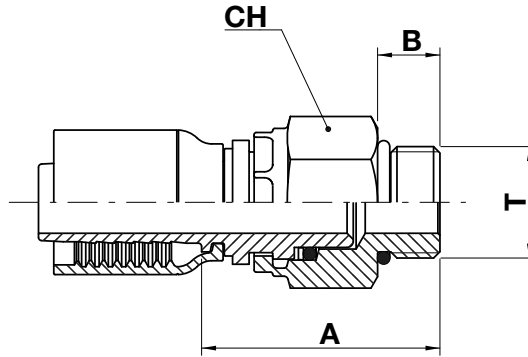
* Complete with O-ring

MV10T

O-ring boss male swivel

NO SKIVE

SAE J1926



FITTING

NPTF- NPSM

JIC

ORFS

SAE

JIS

BSP-BSPT

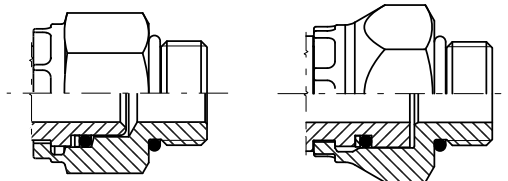
METRIC

code	ø hose			T	A		B		CH		
	dn	inch	size		mm	in	mm	in	mm	in	↻ in
MV10T-04-04	6	1/4"	04	7/16"-20	36,5	1,44	9,1	0,36	17,0	0,669	11/16"
MV16T-04-06	6	1/4"	04	9/16"-18	44,5	1,75	9,9	0,39	19,0	0,750	3/4"
MV16T-06-06	10	3/8"	06	9/16"-18	42,5	1,67	9,9	0,39	19,0	0,750	3/4"
MV10T-06-08	10	3/8"	06	3/4"-16	47,5	1,87	11,1	0,44	27,0	1,063	1.1/16"
MV10T-08-08	12	1/2"	08	3/4"-16	48,0	1,89	11,1	0,44	27,0	1,063	1.1/16"
MV10T-08-10	12	1/2"	08	7/8"-14	51,0	2,01	12,7	0,50	27,0	1,063	1.1/16"
MV10T-08-12	12	1/2"	08	1.1/16"-12	57,5	2,26	15,1	0,59	36,0	1,417	1.7/16"
MV10T-10-10	16	5/8"	10	7/8"-14	51,0	2,01	12,7	0,50	27,0	1,063	1.1/16"
MV10T-12-12	19	3/4"	12	1.1/16"-12	57,5	2,26	15,1	0,59	36,0	1,417	1.7/16"
MV10T-16-16	25	1"	16	1.5/16"-12	62,0	2,44	15,1	0,59	38,0	1,496	1.1/2"

Nut type

MV10

MV16

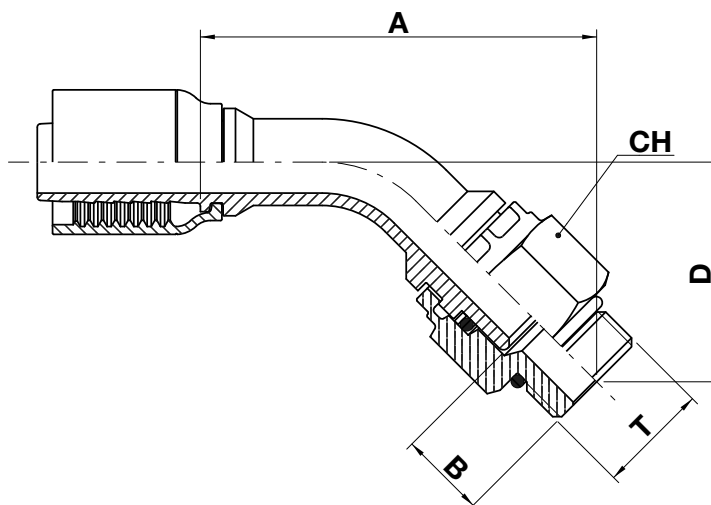


MV40T

O-ring boss male swivel - 45° elbow

NO SKIVE

SAE J1926



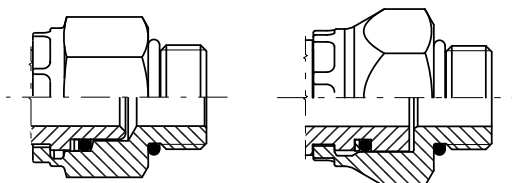
FITTING
 NPTF-NPSM
 JIC
 ORFS
SAE
 JIS
 BSP-BSPT
 METRIC

code	ø hose			T	A		B		D		CH		
	dn	inch	size		mm	in	mm	in	mm	in	mm	in	↻ in
MV40T-04-04	6	1/4"	04	7/16"-20	58,5	2,30	9,1	0,36	27,5	1,08	17,0	0,67	11/16"
MV46T-04-06	6	1/4"	04	9/16"-18	65,8	2,59	9,9	0,39	35,2	1,38	19,0	0,750	3/4"
MV46T-06-06	10	3/8"	06	9/16"-18	72,5	2,85	9,9	0,39	35,2	1,38	19,0	0,750	3/4"
MV40T-06-08	10	3/8"	06	3/4"-16	73,0	2,87	11,1	0,44	38,5	1,52	27,0	1,06	1.1/16"
MV40T-06-10	10	3/8"	06	7/8"-14	74,0	2,91	12,7	0,50	39,5	1,56	27,0	1,06	1.1/16"
MV40T-08-08	12	1/2"	08	3/4"-16	81,8	3,22	11,1	0,44	40,7	1,60	27,0	1,06	1.1/16"
MV40T-08-10	12	1/2"	08	7/8"-14	83,0	3,27	12,7	0,50	42,0	1,65	27,0	1,06	1.1/16"
MV40T-08-12	12	1/2"	08	1.1/16"-12	103,0	4,06	15,1	0,59	51,7	2,04	36,0	1,42	1.7/16"
MV40T-12-12	19	3/4"	12	1.1/16"-12	117,0	4,61	15,1	0,59	49,0	1,93	36,0	1,42	1.7/16"
MV40T-16-16	25	1"	16	1.5/16"-12	93,4	3,68	15,1	0,59	43,6	1,72	38,0	1,496	1.1/2"

Nut type

MV40

MV46

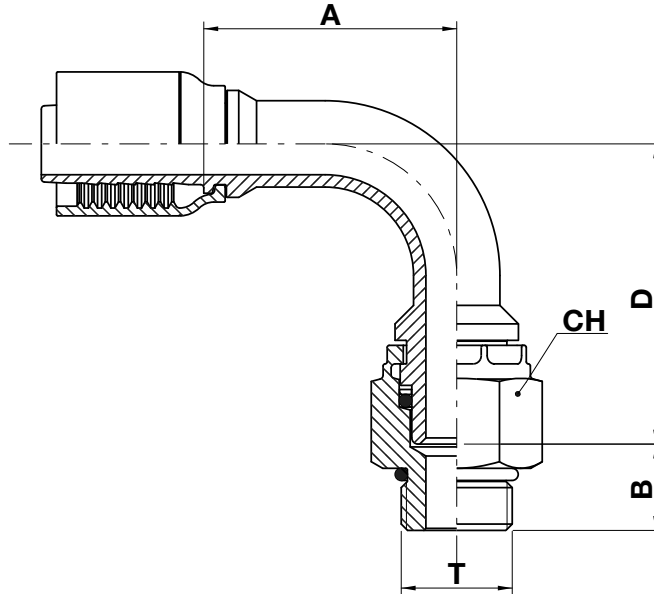


MV90T

O-ring boss male swivel - 90° elbow

NO SKIVE

SAE J1926



FITTING

NPTF- NPSM

JIC

ORFS

SAE

JIS

BSP-BSPT

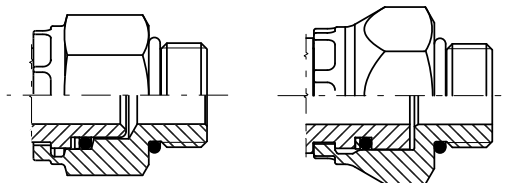
METRIC

code	ø hose			T	A		B		D		CH		
	dn	inch	size		mm	in	mm	in	mm	in	mm	in	↻ in
MV90T-04-04	6	1/4"	04	7/16"-20	28,0	1,10	9,1	0,36	38,5	1,52	17,0	0,669	11/16"
MV96T-04-06	6	1/4"	04	9/16"-18	28,0	1,10	9,9	0,39	48,3	1,90	19,0	0,750	3/4"
MV96T-06-06	10	3/8"	06	9/16"-18	34,5	1,36	9,9	0,39	49,8	1,96	19,0	0,750	3/4"
MV90T-06-08	10	3/8"	06	3/4"-16	31,5	1,24	11,1	0,44	52,0	2,05	27,0	1,063	1.1/16"
MV90T-06-10	10	3/8"	06	7/8"-14	31,5	1,24	12,7	0,50	52,0	2,05	27,0	1,063	1.1/16"
MV90T-08-08	12	1/2"	08	3/4"-16	37,5	1,48	11,1	0,44	57,0	2,24	27,0	1,063	1.1/16"
MV90T-08-10	12	1/2"	08	7/8"-14	37,5	1,48	12,7	0,50	57,0	2,24	27,0	1,063	1.1/16"
MV90T-08-12	12	1/2"	08	1.1/16"-12	46,5	1,83	15,1	0,59	72,0	2,83	36,0	1,417	1.7/16"
MV90T-12-12	19	3/4"	12	1.1/16"-12	61,5	2,42	15,1	0,59	73,0	2,88	36,0	1,417	1.7/16"
MV90T-16-16	25	1"	16	1.5/16"-12	72,0	2,83	15,1	0,59	84,5	3,33	38,0	1,496	1.1/2"

Nut type

MV90

MV96

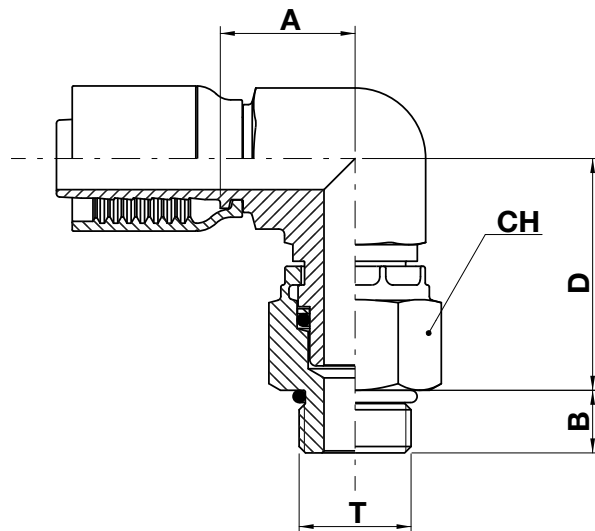


KV91T KV96T

O-Ring boss male swivel - 90° compact elbow

NO SKIVE

SAE J1926



FITTING

NPTF-NPSM

JIC

ORFS

SAE

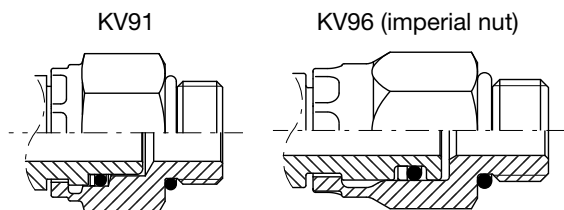
JIS

BSP-BSPT

METRIC

code	ø hose			T	A		B		D		CH		
	dn	inch	size		mm	in	mm	in	mm	in	mm	in	↻ in
KV91T-04-04	6	1/4"	04	7/16"-20	18,5	0,73	9,2	0,36	32,8	1,29	17,0	0,669	11/16"
KV96T-04-06	6	1/4"	04	9/16"-18	19,5	0,77	10,0	0,39	39,0	1,54	19,0	0,748	3/4"
KV96T-06-06	10	3/8"	06	9/16"-18	21,5	0,85	10,0	0,39	42,0	1,65	19,0	0,748	3/4"
KV91T-06-08	10	3/8"	06	3/4"-16	25,0	0,98	11,1	0,44	47,4	1,87	27,0	1,063	1.1/16"
KV91T-06-10	10	3/8"	06	7/8"-14	25,0	0,98	12,7	0,50	48,8	1,92	27,0	1,063	1.1/16"
KV91T-08-08	12	1/2"	08	3/4"-16	26,5	1,04	11,1	0,44	47,4	1,87	27,0	1,063	1.1/16"
KV91T-08-10	12	1/2"	08	7/8"-14	26,5	1,04	12,7	0,50	48,8	1,92	27,0	1,063	1.1/16"
KV91T-12-12	19	3/4"	12	1.1/16"-12	32,5	1,28	15,1	0,59	55,9	2,20	36,0	1,417	1.7/16"

Nut type

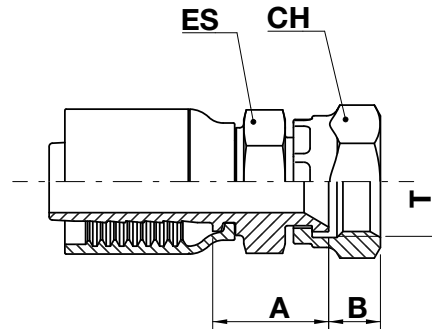


For SAE 100 R7 thermoplastic and R14 teflon hoses

FT11T

Japanese "T" style termination female swivel 60° cone

NO SKIVE



FITTING

NPTF- NPSM

JIC

ORFS

SAE

JIS

BSP-BSPT

METRIC

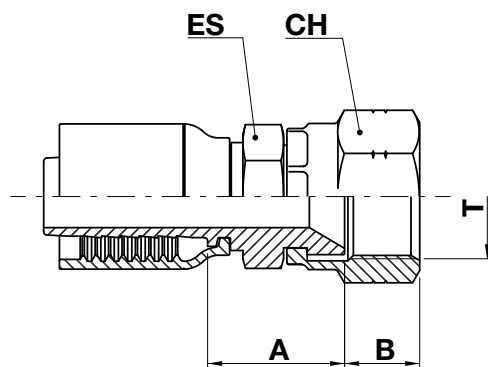
code	ø hose			T	A		B		ES			CH		
	dn	inch	size		mm	in	mm	in	mm	in	↗ in	mm	in	↗ in
FT11T-04-04	6	1/4"	04	1/4"-19	21,0	0,83	8,0	0,31	19,0	0,748	3/4"	19,0	0,748	3/4"
FT11T-06-06	10	3/8"	06	3/8"-19	22,0	0,87	9,5	0,37	19,0	0,748	3/4"	22,0	0,866	7/8"
FT11T-08-08	12	1/2"	08	1/2"-14	25,0	0,98	11,0	0,43	22,0	0,866	7/8"	27,0	1,063	1.1/16"

FK11T

Japanese "KOM" style termination female swivel 60° cone

NO SKIVE

T



FITTING

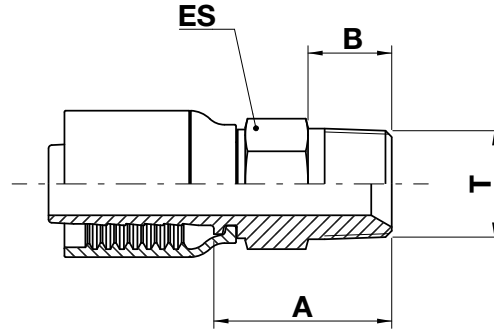
- NPTF-NPSM
- JIC
- ORFS
- SAE
- JIS**
- BSP-BSPT
- METRIC

code	ø hose			T	A		B		ES			CH		
	dn	inch	size		mm	in	mm	in	mm	in	↻ in	mm	in	↻ in
FK11T-04-12	6	1/4"	04	M12X1,5	23,0	0,91	8,7	0,34	14,0	0,551	9/16"	17,0	0,669	11/16"
FK11T-04-14	6	1/4"	04	M14X1,5	24,0	0,94	10,0	0,39	19,0	0,748	3/4"	19,0	0,748	3/4"
FK11T-06-14	10	3/8"	06	M14X1,5	25,0	0,98	10,0	0,39	19,0	0,748	3/4"	19,0	0,748	3/4"
FK11T-06-16	10	3/8"	06	M16X1,5	23,0	0,91	9,3	0,37	19,0	0,748	3/4"	22,0	0,866	7/8"
FK11T-06-18	10	3/8"	06	M18X1,5	24,0	0,94	11,5	0,45	19,0	0,748	3/4"	24,0	0,945	15/16"
FK11T-06-20	10	3/8"	06	M20X1,5	25,5	1,00	11,2	0,44	19,0	0,748	3/4"	27,0	1,063	1.1/16"
FK11T-06-22	10	3/8"	06	M22X1,5	25,5	1,00	14,0	0,55	19,0	0,748	3/4"	27,0	1,063	1.1/16"
FK11T-08-22	12	1/2"	08	M22X1,5	27,0	1,06	14,0	0,55	22,0	0,866	7/8"	27,0	1,063	1.1/16"
FK11T-08-24	12	1/2"	08	M24X1,5	28,5	1,12	15,1	0,59	24,0	0,945	15/16"	32,0	1,260	1.1/4"
FK11T-10-24	16	5/8"	10	M24X1,5	28,5	1,12	15,1	0,59	24,0	0,945	15/16"	32,0	1,260	1.1/4"
FK11T-12-24	19	3/4"	12	M24X1,5	29,9	1,18	15,1	0,59	27,0	1,063	1.1/16"	32,0	1,260	1.1/4"
FK11T-12-30	19	3/4"	12	M30X1,5	33,0	1,30	18,3	0,72	30,0	1,181	1.3/16"	36,0	1,417	1.7/16"
FK11T-12-33	19	3/4"	12	M33X1,5	32,0	1,26	21,3	0,84	32,0	1,260	1.1/4"	41,0	1,614	1.5/8"

MT10T

BSPT tapered male 60° cone

NO SKIVE



FITTING

NPTF- NPSM

JIC

ORFS

SAE

JIS

BSP-BSPT

METRIC

code	ø hose			T	A		B		ES		
	dn	inch	size		mm	in	mm	in	mm	in	in
MT10T-03-02	5	3/16"	03	1/8"-28	21,0	0,83	9,7	0,38	12,0	0,472	1/2"
MT10T-03-04	5	3/16"	03	1/4"-19	25,3	1,00	14,0	0,55	14,0	0,551	9/16"
MT10T-04-02	6	1/4"	04	1/8"-28	24,5	0,89	12,0	0,47	12,0	0,472	1/2"
MT10T-04-04	6	1/4"	04	1/4"-19	26,5	1,04	14,0	0,55	14,0	0,551	9/16"
MT10T-05-06	8	5/16"	05	3/8"-19	29,0	1,14	15,0	0,59	19,0	0,748	3/4"
MT10T-06-04	10	3/8"	06	1/4"-19	24,5	0,96	14,0	0,55	14,0	0,551	9/16"
MT10T-06-06	10	3/8"	06	3/8"-19	29,0	1,14	15,0	0,59	19,0	0,748	3/4"
MT10T-08-08	12	1/2"	08	1/2"-14	32,5	1,28	18,0	0,71	22,0	0,866	7/8"
MT10T-12-12	19	3/4"	12	3/4"-14	42,5	1,67	20,0	0,79	27,0	1,063	1.1/16"
MT10T-16-16	25	1"	16	1"-11	47,0	1,85	23,0	0,91	36,0	1,417	1.7/16"

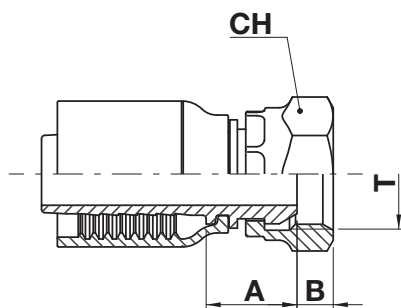
FB13T

FB11T FB12T

BSP female swivel 60° cone

NO SKIVE

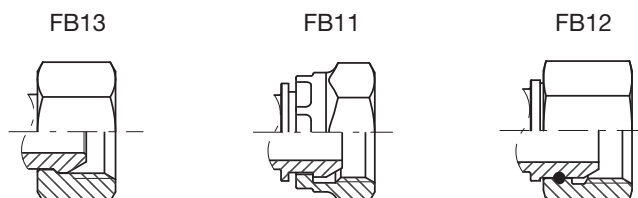
ISO 8434-6 / BS 5200



FITTING
 NPTF-NPSM
 JIC
 ORFS
 SAE
 JIS
BSP-BSPT
 METRIC

code	ø hose			T	A		B		ES		
	dn	inch	size		mm	in	mm	in	mm	in	in
FB11T-03-02	5	3/16"	03	1/8"-28	14,3	0,56	5,5	0,22	14,0	0,551	9/16"
FB11T-04-02	6	1/4"	04	1/8"-28	15,0	0,59	5,5	0,22	14,0	0,551	9/16"
FB13T-04-04	6	1/4"	04	1/4"-19	17,5	0,69	4,2	0,17	19,0	0,748	3/4"
FB13T-04-06	6	1/4"	04	3/8"-19	18,5	0,73	6,0	0,24	22,0	0,866	7/8"
FB11T-05-04	8	5/16"	05	1/4"-19	17,8	0,70	4,2	0,17	19,0	0,748	3/4"
FB13T-05-06	8	5/16"	05	3/8"-19	18,5	0,73	6,0	0,24	22,0	0,866	7/8"
FB11T-06-04	10	3/8"	06	1/4"-19	17,8	0,70	4,2	0,17	19,0	0,748	3/4"
FB13T-06-06	10	3/8"	06	3/8"-19	18,5	0,73	6,0	0,24	22,0	0,866	7/8"
FB13T-06-08	10	3/8"	06	1/2"-14	20,5	0,81	6,5	0,26	27,0	1,063	1.1/16"
FB13T-08-08	12	1/2"	08	1/2"-14	21,0	0,83	6,5	0,26	27,0	1,063	1.1/16"
FB11T-10-10	16	5/8"	10	5/8"-14	18,0	0,71	9,5	0,37	27,0	1,063	1.1/16"
FB11T-10-12	16	5/8"	10	3/4"-14	21,3	0,84	8,7	0,34	32,0	1,260	1.1/4"
FB11T-12-12	19	3/4"	12	3/4"-14	21,8	0,86	8,7	0,34	32,0	1,260	1.1/4"
FB12T-12-16	19	3/4"	12	1"-11	29,0	1,14	10,5	0,41	38,0	1,496	1.1/2"
FB12T-16-16	25	1"	16	1"-11	30,5	1,20	10,5	0,41	38,0	1,496	1.1/2"

Nut type



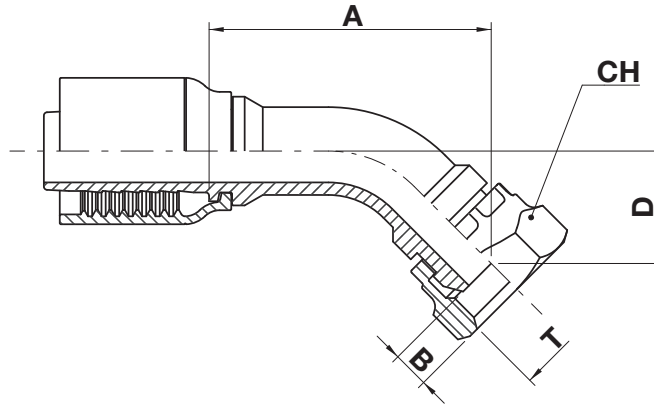
For SAE 100 R7 thermoplastic and R14 teflon hoses

FB43T FB41T FB42T

BSP female swivel 60° cone - 45° elbow

NO SKIVE

ISO 8434-6 / BS 5200



FITTING

NPTF- NPSM

JIC

ORFS

SAE

JIS

BSP-BSPT

METRIC

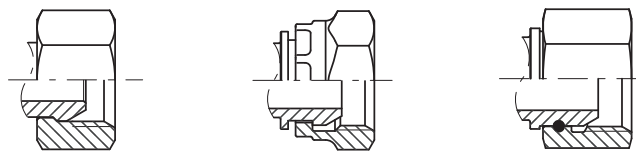
code	ø hose			T	A		B		D		CH		
	dn	inch	size		mm	in	mm	in	mm	in	mm	in	↗ in
FB43T-04-04	6	1/4"	04	1/4"-19	32,5	1,28	4,2	0,17	13,0	0,51	19,0	0,748	3/4"
FB41T-05-06	8	5/16"	05	3/8"-19	42,5	1,67	6,0	0,24	19,0	0,75	22,0	0,866	7/8"
FB43T-06-06	10	3/8"	06	3/8"-19	37,6	1,48	6,0	0,24	14,6	0,58	22,0	0,866	7/8"
FB43T-08-08	12	1/2"	08	1/2"-14	48,0	1,89	6,5	0,26	18,0	0,71	27,0	1,063	1.1/16"
FB41T-12-12	19	3/4"	12	3/4"-14	67,4	2,66	8,7	0,34	26,9	1,06	32,0	1,260	1.1/4"
FB42T-16-16	25	1"	16	1"-11	85,0	3,35	10,5	0,41	35,2	1,39	38,0	1,496	1.1/2"

Nut type

FB43

FB41

FB42

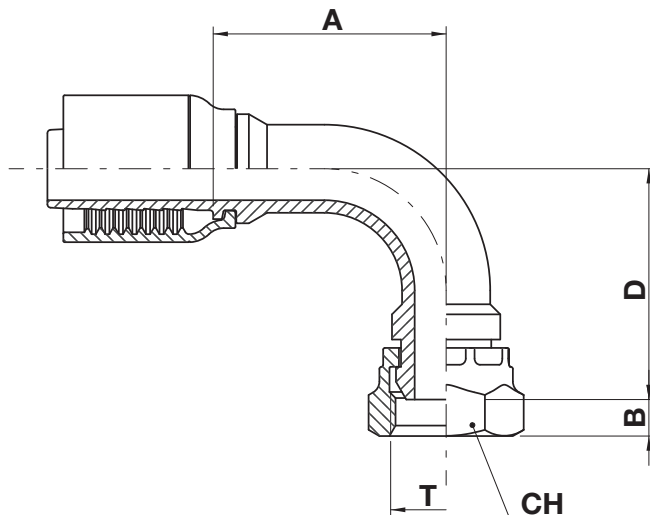


FB93T FB91T FB92T

BSP female swivel 60° cone - 90° elbow

NO SKIVE

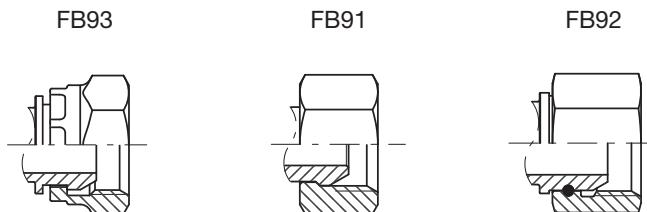
ISO 8434-6 / BS 5200



FITTING
 NPTF-NPSM
 JIC
 ORFS
 SAE
 JIS
BSP-BSPT
 METRIC

code	ø hose			T	A		B		D		CH		
	dn	inch	size		mm	in	mm	in	mm	in	mm	in	↻ in
FB93T-04-04	6	1/4"	04	1/4"-19	27,6	1,09	4,2	0,17	27,5	1,08	19,0	0,748	3/4"
FB93T-04-06	6	1/4"	04	3/8"-19	28,0	1,10	6,0	0,24	29,5	1,16	22,0	0,866	7/8"
FB93T-05-06	8	5/16"	05	3/8"-19	32,5	1,28	6,0	0,24	30,0	1,18	22,0	0,866	7/8"
FB93T-06-06	10	3/8"	06	3/8"-19	31,5	1,24	6,0	0,24	29,5	1,16	22,0	0,866	7/8"
FB93T-06-08	10	3/8"	06	1/2"-14	30,3	1,19	6,5	0,26	31,2	1,23	27,0	1,063	1.1/16"
FB93T-08-08	12	1/2"	08	1/2"-14	37,2	1,47	6,5	0,26	36,0	1,42	27,0	1,063	1.1/16"
FB91T-10-10	16	5/8"	10	5/8"-14	54,0	2,13	9,5	0,37	50,0	1,97	30,0	1,181	1.3/16"
FB91T-12-12	19	3/4"	12	3/4"-14	55,5	2,19	8,7	0,34	55,0	2,17	32,0	1,260	1.1/4"
FB92T-16-16	25	1"	16	1"-11	72,0	2,83	10,5	0,41	73,0	2,89	38,0	1,496	1.1/2"

Nut type

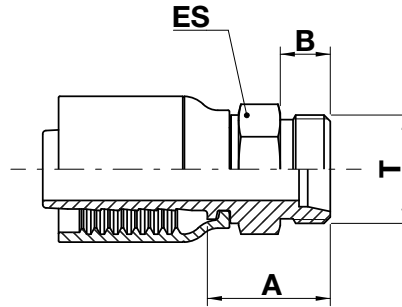


ML10T

Metric light male (24° cone seat)

NO SKIVE

ISO 8434-1 / DIN 3865



FITTING

NPTF- NPSM

JIC

ORFS

SAE

JIS

BSP-BSPT

METRIC

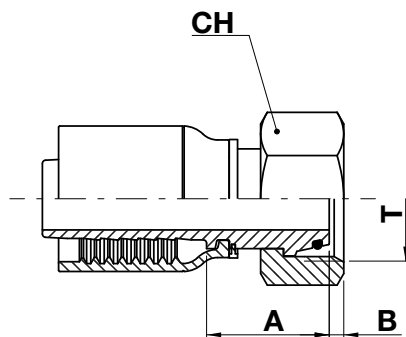
code	ø hose			T	pipe	A		B		ES		
	dn	inch	size			mm	in	mm	in	mm	in	in
ML10T-04-12	6	1/4"	04	M12X1,5	L6	22,5	0,89	10,0	0,39	14,0	0,551	9/16"
ML10T-04-14	6	1/4"	04	M14X1,5	L8	22,5	0,89	10,0	0,39	14,0	0,551	9/16"
ML10T-04-16	6	1/4"	04	M16X1,5	L10	24,5	0,96	11,0	0,43	17,0	0,669	11/16"
ML10T-05-16	8	5/16"	05	M16X1,5	L10	24,5	0,96	11,0	0,43	17,0	0,669	11/16"
ML10T-05-18	8	5/16"	05	M18X1,5	L12	25,0	0,98	11,0	0,43	19,0	0,748	3/4"
ML10T-06-16	10	3/8"	06	M16X1,5	L10	24,5	0,96	11,0	0,43	17,0	0,669	11/16"
ML10T-06-18	10	3/8"	06	M18X1,5	L12	25,0	0,98	11,0	0,43	19,0	0,748	3/4"
ML10T-06-22	10	3/8"	06	M22X1,5	L15	26,0	1,02	12,0	0,47	22,0	0,866	7/8"
ML10T-08-22	12	1/2"	08	M22X1,5	L15	26,5	1,04	12,0	0,47	22,0	0,866	7/8"
ML10T-10-26	16	5/8"	10	M26X1,5	L18	29,0	1,14	12,0	0,47	27,0	1,063	1.1/16"
ML10T-12-30	19	3/4"	12	M30X2	L22	31,5	1,24	14,0	0,55	30,0	1,181	1.3/16"
ML10T-16-36	25	1"	16	M36X2	L28	34,0	1,34	14,0	0,55	36,0	1,417	1.7/16"

FL13T FL11T FL12T

Metric light female swivel (24° cone seat)

NO SKIVE

ISO 8434-1 / DIN 3865

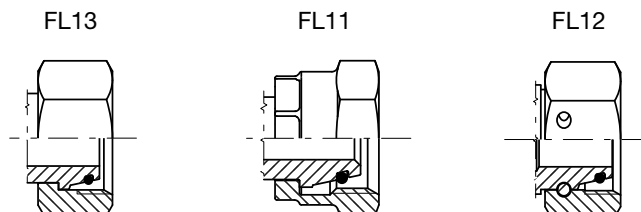


FITTING

- NPTF-NPSM
- JIC
- ORFS
- SAE
- JIS
- BSP-BSPT
- METRIC**

code	ø hose			T	pipe	A		B		CH		
	dn	inch	size			mm	in	mm	in	mm	in	↗ in
FL11T-04-12	6	1/4"	04	M12X1,5	L6	20,9	0,82	2,6	0,10	16,0	0,630	-
FL13T-04-14	6	1/4"	04	M14X1,5	L8	25,0	0,98	1,5	0,06	17,0	0,669	11/16"
FL13T-04-16	6	1/4"	04	M16X1,5	L10	27,5	1,08	1,5	0,06	19,0	0,748	3/4"
FL13T-05-16	8	5/16"	05	M16X1,5	L10	27,5	1,08	1,5	0,06	19,0	0,748	3/4"
FL13T-05-18	8	5/16"	05	M18X1,5	L12	26,0	1,02	1,5	0,06	22,0	0,866	7/8"
FL12T-06-16	10	3/8"	06	M16X1,5	L10	23,0	0,91	3,5	0,14	19,0	0,748	3/4"
FL13T-06-18	10	3/8"	06	M18X1,5	L12	26,0	1,02	1,5	0,06	22,0	0,866	7/8"
FL13T-08-22	12	1/2"	08	M22X1,5	L15	28,5	1,12	2,5	0,10	27,0	1,063	1.1/16"
FL13T-10-26	16	5/8"	10	M26X1,5	L18	29,0	1,14	2,0	0,08	32,0	1,260	1.1/4"
FL13T-12-30	19	3/4"	12	M30X2	L22	29,5	1,16	3,5	0,14	36,0	1,417	1.7/16"
FL13T-16-36	25	1"	16	M36X2	L28	32,0	1,26	3,5	0,14	41,0	1,614	1.5/8"

Nut type



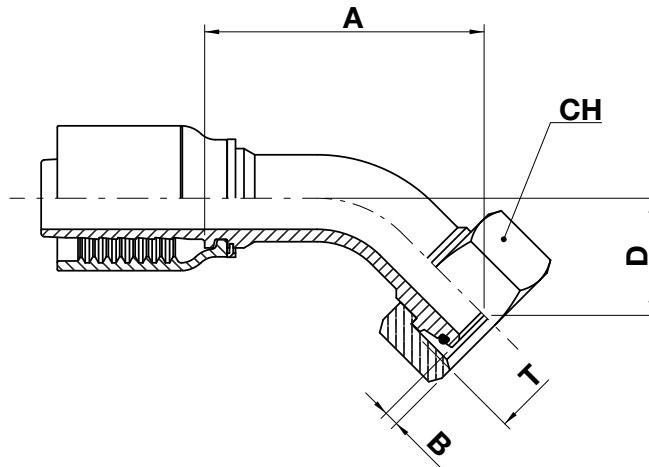
For SAE 100 R7 thermoplastic and R14 teflon hoses

FL43T

Metric light female swivel - 45° elbow (24° cone seat)

NO SKIVE

ISO 8434-1 / DIN 3865



FITTING

NPTF- NPSM

JIC

ORFS

SAE

JIS

BSP-BSPT

METRIC

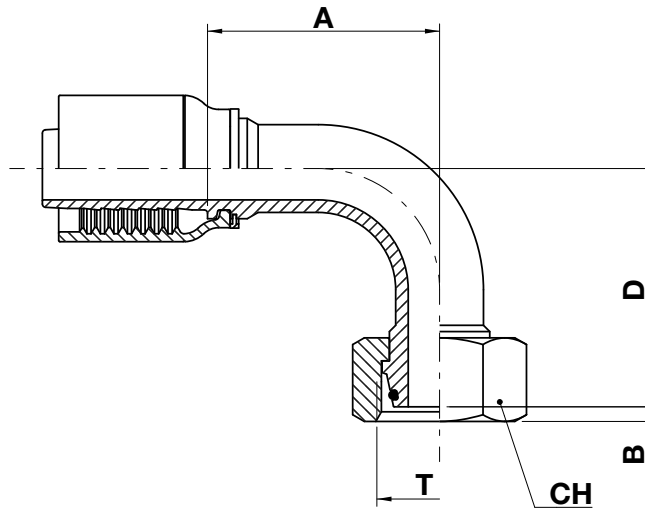
code	ø hose			T	pipe	A		B		D		CH		
	dn	inch	size			mm	in	mm	in	mm	in	mm	in	↗ in
FL43T-04-14	6	1/4"	04	M14X1,5	L8	35,2	1,39	1,5	0,06	15,5	0,61	17,0	0,669	11/16"
FL43T-04-16	6	1/4"	04	M16X1,5	L10	36,3	1,43	1,5	0,06	16,6	0,65	19,0	0,748	3/4"
FL43T-05-16	8	5/16"	05	M16X1,5	L10	39,0	1,54	1,5	0,06	17,1	0,67	19,0	0,748	3/4"
FL43T-06-18	10	3/8"	06	M18X1,5	L12	42,6	1,68	1,5	0,06	19,2	0,76	22,0	0,866	7/8"
FL43T-08-22	12	1/2"	08	M22X1,5	L15	48,2	1,90	2,5	0,10	20,8	0,82	27,0	1,063	1.1/16"
FL43T-10-26	16	5/8"	10	M26X1,5	L18	62,5	2,46	2,0	0,08	25,5	1,00	32,0	1,260	1.1/4"

FL93T

Metric light female swivel - 90° elbow (24° cone seat)

NO SKIVE

ISO 8434-1 / DIN 3865



T

FITTING

- NPTF-NPSM
- JIC
- ORFS
- SAE
- JIS
- BSP-BSPT
- METRIC**

code	ø hose			T	pipe	A		B		D		CH		
	dn	inch	size			mm	in	mm	in	mm	in	mm	in	↗ in
FL93T-04-14	6	1/4"	04	M14X1,5	L8	28,0	1,10	1,5	0,06	31,0	1,22	17,0	0,669	11/16"
FL93T-04-16	6	1/4"	04	M16X1,5	L10	28,2	1,11	1,5	0,06	32,5	1,28	19,0	0,748	3/4"
FL93T-05-16	8	5/16"	05	M16X1,5	L10	30,5	1,20	1,5	0,06	33,0	1,30	19,0	0,748	3/4"
FL93T-06-18	10	3/8"	06	M18X1,5	L12	30,5	1,20	1,5	0,06	36,0	1,42	22,0	0,866	7/8"
FL93T-08-22	12	1/2"	08	M22X1,5	L15	38,2	1,50	2,5	0,10	40,0	1,57	27,0	1,063	1.1/16"

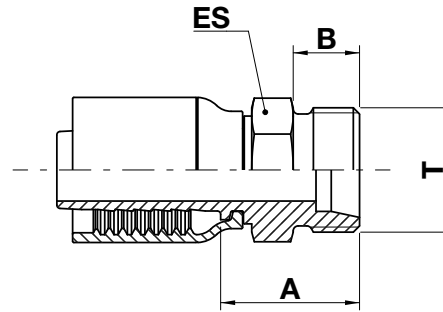
For SAE 100 R7 thermoplastic and R14 teflon hoses

MS10T

Metric heavy male (24° cone seat)

NO SKIVE

ISO 8434-1 / DIN 3865



FITTING

NPTF- NPSM

JIC

ORFS

SAE

JIS

BSP-BSPT

METRIC

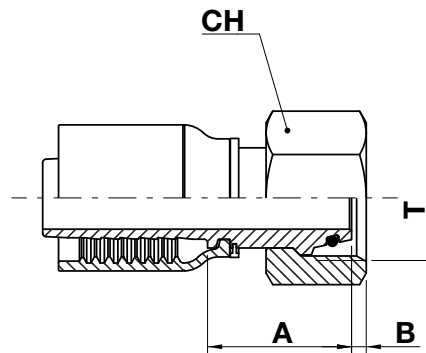
code	ø hose			T	pipe	A		B		ES		
	dn	inch	size			mm	in	mm	in	mm	in	in
MS10T-04-16	6	1/4"	04	M16X1,5	S8	26,0	1,02	12,0	0,47	17,0	0,669	11/16"
MS10T-04-18	6	1/4"	04	M18X1,5	S10	26,0	1,02	12,0	0,47	19,0	0,748	3/4"
MS10T-05-20	8	5/16"	05	M20X1,5	S12	26,0	1,02	12,0	0,47	22,0	0,866	7/8"
MS10T-05-22	8	5/16"	05	M22X1,5	S14	28,0	1,10	14,0	0,55	22,0	0,866	7/8"
MS10T-06-20	10	3/8"	06	M20X1,5	S12	26,0	1,02	12,0	0,47	22,0	0,866	7/8"
MS10T-06-22	10	3/8"	06	M22X1,5	S14	28,0	1,10	14,0	0,55	22,0	0,866	7/8"
MS10T-08-24	12	1/2"	08	M24X1,5	S16	28,5	1,12	14,0	0,55	24,0	0,945	15/16"
MS10T-12-36	19	3/4"	12	M36X2	S25	36,5	1,44	18,0	0,71	36,0	1,417	1.7/16"

FS13T

Metric heavy female swivel (24° cone seat)

NO SKIVE

ISO 8434-1 / DIN 3865



FITTING

- NPTF-NPSM
- JIC
- ORFS
- SAE
- JIS
- BSP-BSPT
- METRIC**

code	ø hose			T	pipe	A		B		CH		
	dn	inch	size			mm	in	mm	in	mm	in	↻ in
FS13T-04-16	6	1/4"	04	M16X1,5	S8	26,5	1,04	2,5	0,10	19,0	0,748	3/4"
FS13T-04-18	6	1/4"	04	M18X1,5	S10	33,5	1,32	2,0	0,08	22,0	0,866	7/8"
FS13T-05-20	8	5/16"	05	M20X1,5	S12	26,5	1,04	2,0	0,08	24,0	0,945	15/16"
FS13T-06-20	10	3/8"	06	M20X1,5	S12	26,5	1,04	2,0	0,08	24,0	0,945	15/16"
FS13T-06-22	10	3/8"	06	M22X1,5	S14	29,5	1,16	4,0	0,16	27,0	1,063	1.1/16"
FS13T-08-24	12	1/2"	08	M24X1,5	S16	33,0	1,30	3,0	0,12	30,0	1,181	1.3/16"
FS13T-12-36	19	3/4"	12	M36X2	S25	39,5	1,56	3,0	0,12	46,0	1,811	1.13/16"

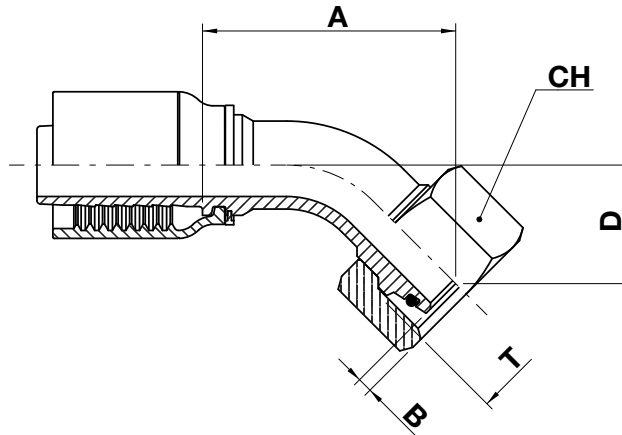
For SAE 100 R7 thermoplastic and R14 teflon hoses

FS43T

Metric heavy female swivel - 45° elbow (24° cone seat)

NO SKIVE

ISO 8434-1 / DIN 3865



FITTING

- NPTF- NPSM
- JIC
- ORFS
- SAE
- JIS
- BSP-BSPT

METRIC

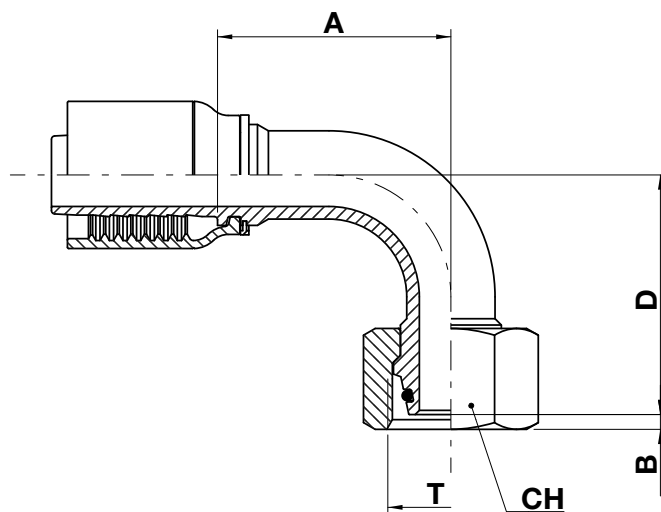
code	ø hose			T	pipe	A		B		D		CH		
	dn	inch	size			mm	in	mm	in	mm	in	mm	in	↻ in
FS43T-04-16	6	1/4"	4	M16X1,5	S8	36,3	1,43	2,5	0,1	16,6	0,65	19,0	0,748	3/4"
FS43T-04-18	6	1/4"	4	M18X1,5	S10	37,7	1,48	2,0	0,08	18,0	0,71	22,0	0,866	7/8"
FS43T-05-20	8	5/16"	5	M20X1,5	S12	41,0	1,61	2,0	0,08	19,2	0,76	24,0	0,945	15/16"
FS43T-06-20	10	3/8"	6	M20X1,5	S12	42,0	1,65	2,0	0,08	19,2	0,76	24,0	0,945	15/16"
FS43T-06-22	10	3/8"	6	M22X1,5	S14	45,0	1,77	4,0	0,16	22,0	0,87	27,0	1,063	1.1/16"
FS43T-08-24	12	1/2"	8	M24X1,5	S16	50,0	1,97	3,0	0,12	22,6	0,89	30,0	1,181	1.3/16"

FS93T

Metric heavy female swivel - 90° elbow (24° cone seat)

NO SKIVE

ISO 8434-1 / DIN 3865



T

FITTING

-
- NPTF-NPSM
- JIC
- ORFS
- SAE
- JIS
- BSP-BSPT
- METRIC**

code	ø hose			T	pipe	A		B		D		CH		
	dn	inch	size			mm	in	mm	in	mm	in	mm	in	↗ in
FS93T-04-16	6	1/4"	04	M16X1,5	S8	28,2	1,11	2,5	0,10	32,5	1,28	19,0	0,748	3/4"
FS93T-04-18	6	1/4"	04	M18X1,5	S10	28,2	1,11	2,0	0,08	34,5	1,36	22,0	0,866	7/8"
FS93T-05-20	8	5/16"	05	M20X1,5	S12	30,5	1,20	2,0	0,08	36,0	1,42	24,0	0,945	15/16"
FS93T-06-20	10	3/8"	06	M20X1,5	S12	30,5	1,20	2,0	0,08	36,0	1,42	24,0	0,945	15/16"
FS93T-06-22	10	3/8"	06	M22X1,5	S14	31,5	1,24	4,0	0,16	40,0	1,57	27,0	1,063	1.1/16"
FS93T-08-24	12	1/2"	08	M24X1,5	S16	38,2	1,50	3,0	0,12	42,5	1,67	30,0	1,181	1.3/16"

For SAE 100 R7 thermoplastic and R14 teflon hoses

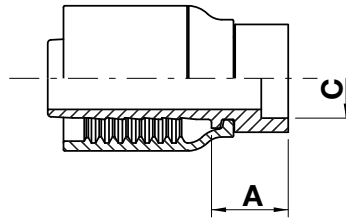
WO10T

Brazing tail

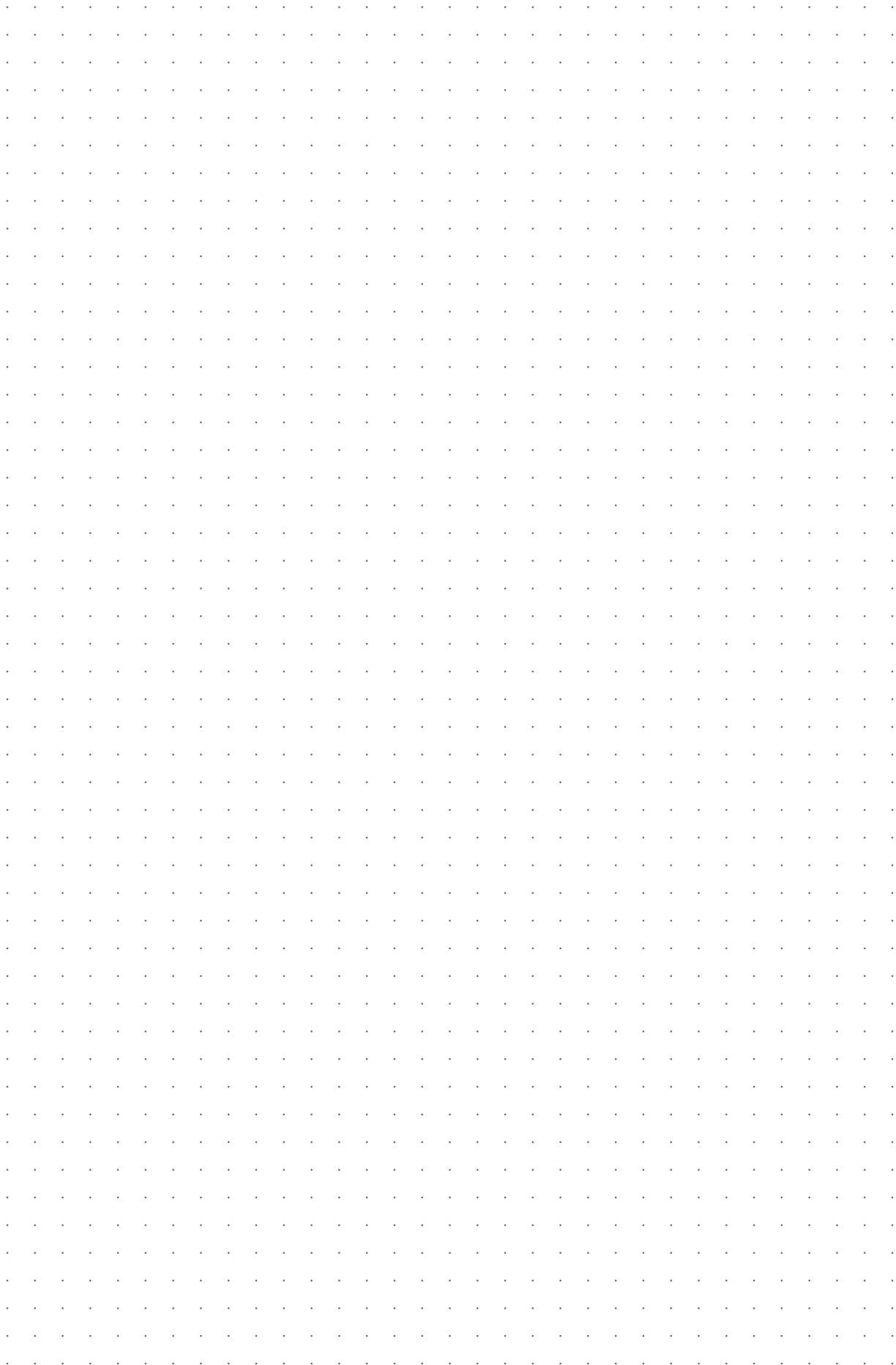
NO SKIVE

FITTING

NPTF- NPSM
JIC
ORFS
SAE
JIS
BSP-BSPT
METRIC



code	ø hose			A		C	
	dn	inch	size	mm	in	mm	in
WO10T-04-04	6	1/4"	04	14,5	0,57	6,5	0,26
WO10T-06-06	10	3/8"	06	16,5	0,65	9,5	0,38
WO10T-08-08	12	1/2"	08	17,0	0,67	12,8	0,51
WO10T-10-10	16	5/8"	10	17,0	0,67	16,0	0,63
WO10T-12-12	19	3/4"	12	18,5	0,73	19,2	0,76
WO10T-16-16	25	1"	16	23,0	0,91	25,6	1,01



GENERAL SALES CONDITIONS

Art. 1 - SCOPE

1.1 - These General Conditions govern all present and future sales contracts entered into by the Seller with regard to its Products, except for any exceptions specifically agreed upon in writing. These General Conditions apply both to contracts with Parties established in Italy and to contracts with Parties established in different States. Any reference to the terms of trade shall be understood to be made to the INCOTERMS 2020 of the International Chamber of Commerce.

1.2 - These General Conditions cancel and replace any other clause and/or General Purchase Conditions attached or otherwise indicated in the orders and/or in the different documentation sent by the Buyer, unless expressly accepted in writing by the Seller. In the latter case as well, unless expressly waived in writing between the Parties, the other clause and/or General Purchase Conditions shall be coordinated with these General Conditions that, insofar as they are compatible, shall remain valid and effective between the Parties.

Art. 2 - FORMATION OF SALES CONTRACT

2.1 - The acceptance by the Buyer of the Seller's offer or order confirmation, howsoever made, entails the application of these General Conditions to the sales contract, even when acceptance takes place by means of execution of the contract. The Seller's offer shall be deemed firm and irrevocable only when it is qualified as such in writing by the Seller and a term of validity is specified therein. The Buyer's reply containing supplements or amendments, even if such as not to substantially alter the terms of the Supplier's proposal shall be deemed as a counterproposal, notwithstanding the Seller's silence. Any offers made by agents, representatives and/or sales assistants of the Seller shall not be binding for the Seller until confirmed by it.

Art. 3 - SAMPLES, DRAWINGS AND TECHNICAL DOCUMENTS - SUBCONTRACTING - CONFIDENTIALITY

3.1 - The weights, dimensions, thicknesses, capacities, prices, yields, colours and other data contained in the Seller's catalogues, brochures, advertisements, illustrations, price lists or other documents, as well as the characteristics of the samples and models sent by the latter to the Buyer, are to be considered purely indicative and, therefore, they are not binding, unless expressly mentioned as such in the Seller's offer or order confirmation.

3.2 - Any drawing, document, technical information or software which permits the manufacture or assembly of the sold Products or parts thereof which are delivered to the Buyer, both before and after the conclusion of the contract, remain the sole property of the Seller. The above-mentioned drawings, documents, technical information or software may not be used by the Buyer for non-contractual purposes as well as copied, reproduced, sent or communicated to third parties without the prior written consent of the Seller. The Buyer, in particular, may not entrust to third parties, nor carry out directly, the manufacture of Products which are a total or partial reproduction of the Products or which in any case use intellectual property rights, know-how or technology of the Seller.

3.3 - The Buyer's drawings, documents, technical information or software delivered to the Seller before or after the conclusion of the contract, shall remain the sole property of the Buyer and shall not be used by the Seller, or copied, reproduced, sent or communicated to third parties without the written consent of the Buyer to the extent that they are:

- a) covered by a patent or other industrial or intellectual property right of the Buyer; or
- b) secret, i.e. they do not refer to knowledge made public by

the Buyer or otherwise known to the generality of the operators in the sector, and are not trivial; provided, however, that the Buyer has expressly made known to the Seller in writing its desire to reserve for itself the exclusive right of exploitation.

3.4 - The Seller reserves the right, under its own responsibility, to subcontract part of the Products ordered by the Buyer.

3.5 - The Buyer undertakes not to disclose to third parties or to use for non-contractual purposes, even after the termination of any agreement with the Seller, any commercial or business secrets, as well as any confidential information of the Seller, that it became aware during the contractual relationship.

Art. 4 - PRODUCT DELIVERY

4.1 - Unless otherwise agreed, the delivery of Products shall take place Ex works (INCOTERMS 2020), even when the Parties have agreed that shipment and/or assembly shall be carried out by the Seller. In this case, the Seller shall act as the Buyer's agent, it being understood that transport shall be carried out by the Buyer at its own expense and risk.

4.2 - The risks shall pass to the Buyer according to the applicable INCOTERMS. In no case, the Seller shall be liable for the deterioration or damage of the Products occur after the passing of risks and the Buyer shall in any case be obliged to pay the agreed price.

4.3 - The Seller shall make its best efforts to comply with the delivery terms indicated in the offer or in the order confirmation, which, unless otherwise agreed in writing between the Parties, cannot be regarded as essential.

4.4 - Should the Parties have agreed to the payment of a penalty by the Seller in case of delay in the delivery of the Products, the Buyer shall not be entitled to claim, as compensation for damages caused by the delay, the payment of amounts in addition to those agreed as a penalty.

4.5 - The delivery terms shall be understood as extended by a period equal to the duration of the impediment if the Buyer does not provide - in due time - the data or materials necessary for the supply, requests variations in progress or is late in responding to requests for approval of the drawings or the executive diagrams.

4.6 - The Buyer shall always held to take delivery of the Products, even in the case of partial deliveries, early deliveries, or deliveries carry out after the date agreed by the Parties. Under no circumstances, the Seller shall be liable for direct and/or indirect damage deriving from early or delayed delivery of the Products. Should the Buyer not take delivery of the Products for reasons not attributable to the Seller or for force majeure reasons, the Buyer shall support all the expenses that may derive therefrom, and any sum due to the Seller, at any time, will become immediately due.

In this case the Seller may:

- a) put in stock the Products at the risk, danger and expense of the Buyer; or
 - b) send the Products in the name, on the behalf of and at the Buyer's expense to the Buyer's premises; or
 - c) sell the Products by any means on behalf of the Buyer, withholding from the proceeds the whole sum due, as well as the expenses incurred.
- Eventual further damages not excluded.

Art. 5 - WARRANTY

5.1 - The Seller warrants that the supplied Products comply in terms of quantity, quality, type as well as to technical specifications expressly agreed in the contract, excluding any warranty regarding the specific use which the Buyer, or its sub-buyer, makes of the purchased product. Moreover, the Seller warrants that the Products are free from defects that may make them unsuitable for their intended use.

5.2 - The warranty shall be limited to defects of the Products

resulting from defects in material or manufacturing attributable to the Seller and shall not be valid if:

- a) the Buyer fails to prove that the Products have been properly used, maintained, stored and looked after;
- b) the Buyer has made changes or repairs to the Products without the prior written consent of the Seller;
- c) the Products have been assembled or used incorrectly;
- d) Product defects are due to normal wear and tear of those parts which, by their nature, are subject to rapid and continuous wear and tear;
- e) the conformity defects were caused by an event subsequent to the transfer of risks to the Buyer.

5.3 - The warranty lasts for 12 (twelve) months starting from the date of delivery of the Products to the Buyer. The warranty is subject to regular and timely notification of defects and nonconformities by the Buyer according to the provisions of the following paragraph, as well as express written warranty service request. The warranty for replaced or repaired Products shall become effective from the day of any replacement or repair. The warranty for the replaced or repaired components of the Product shall begin on the day of replacement or repair, and in any case applies only to the repaired or replaced component.

5.4 - The Buyer shall notify Products defects or nonconformities in writing, indicating in detail the detected defects and nonconformities, the date of delivery and the quantity of defective Products. The notification must be made, under penalty of forfeiture, within and not later than 15 days from the date of delivery in the case of obvious defects or from the date of discovery, provided that it is made within the warranty period, in the case of hidden faults, defects or nonconformities.

5.5 - The Buyer shall forfeit the warranty if it fails to agree any reasonable check requested by the Seller or if, the Seller offers to replace the fault part at its own expense, the Buyer fails to return the defective Products within 15 days from the request.

5.6 - Should the Buyer's complaint is unfounded, the Buyer shall be obliged to reimburse the Seller for all expenses incurred by the latter for the inspection. Instead, should the Buyer's complaint, made in accordance with the provisions of this article, is well-founded, the Seller shall, in its sole discretion and within a reasonable time (having regard to the seriousness of the complaint), repair or replace free of charge defective or nonconforming Products at the Seller's premises. The Buyer shall be responsible for returning the Products. Should the Parties agree that the repair or replacement operations are best carried out directly at the Buyer's premises or elsewhere, the travel expenses - including travel, board and lodging of the Seller's personnel - shall be to the charge of the Buyer, who shall also provide all means and auxiliary personnel required to do the job in the fastest and safest way.

5.7 - Once the warranty period has elapsed, no claim may be made against the Seller.

Art. 6 - LIMITED LIABILITY OF SELLER

6.1 - Except in case of fraud or gross negligence on the part of the Seller, any compensation for any damage to the Buyer shall not in any case exceed the invoice value of the defective Product. The warranty referred to in the previous Article includes and supersedes all legal warranties for defects and conformity, excluding any other possible liability of the Seller, howsoever deriving from the supplied Products. The Buyer shall therefore not be entitled to lodge any other claims for damages, price reduction or contract termination.

6.2 - The Seller's liability is contained within the limits set forth in the previous Article and relates only to the Products supplied by the Seller itself. The latter therefore disclaims all liability for any failure or malfunction of systems or machines manufactured by the Buyer or by third parties using the Prod-

ucts supplied by the Seller, even in the event of these having been assembled or connected according to diagrams or drawings suggested by the Seller, unless such diagrams and drawings have been the subject of separate remuneration: in the latter case, the Seller's liability shall in any case be limited to what is included in the diagrams or drawings in question.

6.3 - Under no circumstances shall the Seller be deemed liable for indirect or consequential damages, loss of production or lost profits.

Art. 7 - TECHNICAL STANDARDS AND CIVIL LIABILITY

7.1 - The Seller warrants the performance of the Products only and exclusively in relation to the uses, purposes, applications, tolerances, capacities expressly indicated by it and the Buyer is not therefore authorised to make use of them in a different way. If the Buyer's intention is to resell the Products, the Buyer shall be required to bring and shall be responsible for bringing to the knowledge of its buyers the indications set forth in the previous paragraph.

7.2 - The compensation for any personal injury or property damage, caused by defects in the supplied Products and directly attributable to the Seller, shall be limited to the maximum amount indicated in the policy for third party liability and is subject to the terms and conditions of application of said policy.

Art. 8 - PRICES - PAYMENTS

8.1 - Unless otherwise specified in the offer or order confirmation, prices should be understood as Ex Works and, do not include: packaging costs, taxes, duties, and any other additional charges. Likewise, unless otherwise agreed by the Parties, the following are not included in the price: any design and installation of the supplied Products, tests, manuals and training courses, start-up assistance, and all services and charges not mentioned in the offer or order confirmation.

8.2 - Payments, and any other sum due to the Seller for any reason whatsoever, shall be deemed to be net at the Seller's registered office and shall be made in accordance with the agreed terms and conditions. The Buyer, in case of delay in payment, shall be required to pay default interest, without the need for notice of default.

8.3 - Any delay in payment shall also give the Seller the right to invalidate, for the entire duration of the delay, the warranty referred to in Art. 5 above. The Buyer shall be obliged to pay

the full price even in case of dispute or complaint. No offsetting shall be allowed against any amounts owed, howsoever arising, by the Seller.

Art. 9 - RETENTION OF TITLE

9.1 - In the event of payment being made - in whole or in part - after delivery, the delivered Products remain the Seller's property until the moment of the complete payment of the price according to the measure allowed by the law of the country where the Products are located. The Buyer undertakes to do whatever necessary to constitute in the country above mentioned a valid retention of title in the most extensive form permitted, or to provide a similar form of guarantee in favour of the Seller.

Art. 10 - WITHDRAWAL FROM SALES CONTRACT - SUSPENSION

10.1 - The Seller shall be entitled to withdraw from the sales contract and cancel, in whole or in part, the Buyer's order in the event of a significant change in the Buyer's economic conditions and solvency, as well as in the case of any payment delay or irregularity on the part of the Buyer, including if related to a different supply.

10.2 - The Seller shall be entitled at any time to suspend the execution of the contract, giving written notice of at least 30 (thirty) working days to the Buyer for a maximum of 3 (three) months without incurring any liability. Within 3 (three) months from the relative notice of suspension, the Seller shall be required to communicate to the Buyer the continuation of the contract execution with prior written notice of at least 30 (thirty) working days. In the event of the Seller not asking for the contract to be continued within the established time limit of 3 (three) months, the Buyer shall be entitled to terminate the contract immediately by giving prompt written notice to the Seller.

Art. 11 - FORCE MAJEURE

11.1 - Should the manufacture and/or delivery of the Products by the Seller become impossible, excessively onerous or delayed due to a Force Majeure Event as defined in paragraph 11.2 below, the Seller may, at its option: (i) suspend deliveries of the Products until the Force Majeure Event has ceased; (ii) deliver a smaller quantity of Products, if the Products in its warehouse are insufficient and intended proportionately to

satisfy other customers of the Seller; (iii) withdraw from the contract, giving prompt written notice to the Buyer. Following the withdrawal, the Seller shall complete the execution of the delivery of the Products purchased by the Buyer for the part not affected by the Force Majeure Event, it being understood that the Buyer shall not make any further claim against the Seller, deriving directly or indirectly from the early termination of the contractual agreement.

If the impediment caused by the Force Majeure Event persists for a period of more than 90 (ninety) days, each party shall be entitled to withdraw from the relevant contract, without its acquiring any right to compensation for damages with respect to the other party.

Should any Force Majeure Event occur, the Seller shall not in any case be liable for any damages suffered by the Buyer as a result of the delay in delivery of the Products.

11.2 - "Force Majeure Event" means any event beyond the Seller's control that affects the production or delivery capacity of the Products - including without limitation strikes, non-delivery or delayed delivery, including partial, of raw materials by the Seller's suppliers, partial or total breakdowns of machinery and plants to be used in the production of the Products, fires, floods, riots, government decisions, regulatory changes, epidemics, pandemics or other health emergencies.

Art. 12 - APPLICABLE LAW - DISPUTES

12.1 - For everything not provided for, these general conditions shall be governed by Italian law. Any dispute arising out or in connection with the contracts to which these General Conditions apply shall be subject to the exclusive jurisdiction of the Seller's Court of Law. However, the Seller shall be entitled to act before Court of Law where the Buyer's registered office is located.

According to and for the effects of articles 1341 and 1342 of the Italian Civil Code, the following articles are deemed expressly approved: Art. 4.6 - Buyer's obligation to take over the Products - Limitation of the Seller's liability in case of delayed or early delivery of the Products; Art. 5.5 - Forfeiture of the right of warranty; Art. 6 - Limited liability of Seller; Art. 7.2 - Civil Liability; Art. 8.3 - Invalidation of warranty due to late payment - Obligation to pay disputed amounts - No set-off; Art. 10 - Withdrawal from sales contract - Suspension; Art. 12 - Applicable law - Disputes.

CONDIZIONI GENERALI DI VENDITA

Art. 1 - AMBITO DI APPLICAZIONE

1.1 - Le presenti Condizioni Generali disciplinano tutti gli attuali e futuri contratti di vendita stipulati dal Venditore relativamente ai suoi Prodotti salvo eventuali deroghe specificamente concordate per iscritto e si applicano sia ai contratti con Parti aventi sede in Italia sia a contratti con Parti che abbiano sede in Stati diversi. Il riferimento ad eventuali termini di resa si intenderà fatto agli INCOTERMS ed. 2020 della Camera di Commercio Internazionale.

1.2 - Le presenti Condizioni Generali annullano e sostituiscono ogni eventuale altra clausola e/o Condizione Generale di Acquisto allegata o altrimenti indicata negli ordini e/o nella diversa documentazione trasmessa dal Compratore, a meno che espressamente accettata per iscritto dal Venditore. Anche in quest'ultimo caso però, salvo espressa deroga scritta tra le Parti, le stesse dovranno essere coordinate con le presenti Condizioni Generali che, in quanto compatibili, rimarranno comunque efficaci tra le Parti.

Art. 2 - FORMAZIONE DEL CONTRATTO DI VENDITA

2.1 - L'accettazione, da parte del Compratore, dell'offerta o della conferma d'ordine del Venditore, comunque effettuata, comporta l'applicazione al contratto di vendita delle presenti Condizioni Generali, e ciò anche quando l'accettazione avvenga mediante la semplice esecuzione del contratto. L'offerta del Venditore si considera ferma ed è irrevocabile soltanto se viene dallo stesso qualificata tale per iscritto ed è in essa specificato un termine di validità. Si considera controproposta, nonostante il silenzio del Venditore, la risposta del Compratore che contenga aggiunte o modifiche, anche se tali da non alterare sostanzialmente i termini della proposta. Eventuali offerte fatte da agenti, rappresentanti e/o ausiliari di commercio del Venditore non saranno impegnative per quest'ultimo fino alla conferma da parte del Venditore stesso.

Art. 3 - CAMPIONI, DISEGNI E DOCUMENTI TECNICI - SUBFORNITURA - RISERVATEZZA

3.1 - I pesi, le dimensioni, gli spessori, le capacità, i prezzi, i rendimenti, i colori e gli altri dati figuranti nei cataloghi, prospetti, annunci pubblicitari, illustrazioni, listini prezzi o altri documenti del Venditore, così come le caratteristiche dei campioni e dei modelli da quest'ultimo inviati al Compratore, hanno carattere di indicazioni approssimative e, pertanto, non hanno valore impegnativo se non nella misura in cui espressamente menzionati come tali nell'offerta o nella conferma d'ordine del Venditore.

3.2 - Qualsiasi disegno, documento, informazione tecnica o software che permetta la fabbricazione o il montaggio dei Prodotti venduti o di loro parti del Venditore che siano rimessi al Compratore, tanto prima che dopo la stipulazione del contratto, rimangono di esclusiva proprietà del Venditore. I suddetti disegni, documenti, informazioni tecniche o software non potranno essere utilizzati dal Compratore per fini extracontrattuali o copiati, riprodotti, trasmessi o comunicati a terzi senza il previo consenso scritto del Venditore. Il Compratore, in particolare, non potrà affidare a terzi, né effettuare direttamente, la realizzazione di Prodotti che siano una riproduzione, totale o parziale, dei Prodotti o che comunque impieghino diritti di proprietà intellettuale, know-how o tecnologia del Venditore.

3.3 - I disegni, documenti, informazione tecnica o software del Compratore rimesse al Venditore prima o dopo la stipula del contratto, rimangono di esclusiva titolarità del Compratore e non potranno essere utilizzati dal Venditore, o copiati, riprodotti, trasmessi o comunicati a terzi senza il consenso scritto del Compratore nei limiti in cui essi:

a) siano coperti da brevetto o ad un altro diritto di proprietà

industriale o intellettuale del Compratore; ovvero

b) abbiano carattere segreto, e cioè non si riferiscano a cognizioni rese pubbliche dal Compratore o altrimenti note alla generalità degli operatori del settore, e non siano banali; purché, tuttavia, il Compratore abbia espressamente manifestato al Venditore per iscritto la propria volontà di riservarsi il diritto di sfruttamento esclusivo.

3.4 - Il Venditore si riserva il diritto, sotto la propria responsabilità, di affidare in subfornitura parte dei Prodotti commissionatigli dal Compratore.

3.5 - Il Compratore si impegna a non rivelare a terzi né ad utilizzare a fini extracontrattuali, anche dopo la cessazione di ogni rapporto con il Venditore, i segreti commerciali od aziendali, nonché ogni notizia riservata del Venditore di cui sia venuto a conoscenza in occasione dei rapporti contrattuali instaurati con quest'ultimo.

Art. 4 - CONSEGNA DEI PRODOTTI

4.1 - Salvo patto contrario, la consegna dei Prodotti ha luogo Ex works (INCOTERMS 2020), anche quando le Parti abbiano convenuto che la spedizione e/o il montaggio avvengano a cura dal Venditore: in tal caso, infatti, il Venditore agirà come mandatario del Compratore, essendo inteso che il trasporto verrà effettuato a spese e a rischio di quest'ultimo.

4.2 - I rischi passano al Compratore secondo quanto stabilito negli INCOTERMS applicabili. Il Venditore non risponde in nessun caso del perimento o del danneggiamento dei Prodotti avvenuto dopo il passaggio dei rischi ed il Compratore sarà comunque tenuto al pagamento del prezzo pattuito.

4.3 - Il Venditore farà del suo meglio per rispettare i termini di consegna indicati nell'offerta ovvero nella conferma d'ordine che comunque, salvo diverso accordo scritto tra le Parti, non potranno essere considerati essenziali.

4.4 - Laddove le Parti abbiano convenuto il pagamento di una penale da parte del Venditore per il caso di ritardo nella consegna dei Prodotti, il Compratore non potrà esigere, a titolo di risarcimento dei danni causati dal ritardo, il pagamento di somme ulteriori rispetto a quelle pattuite a titolo di penale.

4.5 - I termini di consegna dovranno intendersi prorogati di un periodo pari a quello di durata dell'impedimento qualora il Compratore non fornisca in tempo utile i dati o i materiali necessari alla fornitura, richieda delle varianti in corso di esecuzione ovvero ritardi nel rispondere alle richieste di approvazione dei disegni o degli schemi esecutivi.

4.6 - Il Compratore è sempre tenuto a prendere in consegna i Prodotti anche in caso di consegne parziali, anticipate o successive alla data concordata dalle Parti. In nessun caso il Venditore potrà essere ritenuto responsabile per i danni diretti e/o indiretti derivanti da anticipata o ritardata consegna dei Prodotti. Nel caso in cui il Compratore non abbia preso in consegna i Prodotti per cause non imputabili al Venditore o per cause di forza maggiore, il Compratore sopporterà tutte le spese, e ogni somma dovuta al Venditore, a qualsiasi titolo, diventerà immediatamente esigibile.

In tal caso il Venditore potrà:

a) immagazzinare i Prodotti a rischio, pericolo e spese del Compratore;

b) spedire i Prodotti in nome, per conto e a spese del Compratore presso la sede di quest'ultimo;

c) vendere con qualsiasi mezzo i Prodotti per conto del Compratore, trattenendo dal ricavato l'intero importo dovuto nonché le spese sostenute.

Sono fatti salvi gli ulteriori danni.

Art. 5 - GARANZIA

5.1 - Il Venditore garantisce che i Prodotti forniti sono conformi per quantità, qualità, tipo nonché alle specifiche tecniche espressamente concordate in contratto, con esclusione di qualunque garanzia circa l'impiego specifico al quale il Compratore, o il suo sub-acquirente, destina il prodotto acquista-

to, e che sono esenti da vizi che possano renderli non idonei all'uso cui sono destinati.

5.2 - La garanzia per vizi è limitata ai soli difetti dei Prodotti conseguenti a difetti di materiale o di fabbricazione riconducibili al Venditore e non opera nel caso in cui:

a) il Compratore non provi di aver effettuato un corretto uso, manutenzione, stoccaggio e conservazione dei Prodotti;

b) il Compratore abbia apportato delle modifiche o riparazioni ai Prodotti, senza il previo consenso scritto del Venditore;

c) i Prodotti siano stati montati o utilizzati non correttamente;

d) i difetti dei Prodotti siano dovuti alla normale usura di quelle parti che, per loro natura, sono soggette ad usura rapida e continua;

e) i difetti di conformità abbiano la loro causa in un fatto successivo al passaggio dei rischi al Compratore.

5.3 - La garanzia ha una durata di 12 (dodici) mesi decorrenti dalla data della consegna dei Prodotti al Compratore ed è subordinata alla regolare e tempestiva denuncia dei vizi e delle difformità da parte di quest'ultimo secondo quanto disposto al successivo comma, accompagnata dall'espressa richiesta scritta al Venditore di effettuare un intervento in garanzia. La garanzia per i Prodotti sostituiti o riparati decorre dal giorno dell'eventuale sostituzione o riparazione. La garanzia per i componenti del Prodotto sostituiti o riparati decorre dal giorno dell'eventuale sostituzione o riparazione, e comunque vale per il solo componente riparato o sostituito.

5.4 - La denuncia dei vizi o difetti di conformità dei Prodotti deve essere effettuata dal Compratore per iscritto e indicare dettagliatamente i vizi e le non conformità contestate, la data della consegna e la quantità di Prodotti difettosi. La denuncia deve essere effettuata, a pena di decadenza entro e non oltre 15 giorni decorrenti dalla data di consegna, nel caso di vizi palesi ovvero dalla data della scoperta, purché entro il periodo di durata della garanzia, laddove si tratti di vizi, difetti o non conformità occulti.

5.5 - Il Compratore decade dal diritto di garanzia laddove non consenta ogni ragionevole controllo richiesto dal Venditore o se, avendo il Venditore fatto richiesta di restituzione del Prodotto difettoso a proprie spese, il Compratore ometta di restituire i Prodotti difettosi entro 15 giorni dalla richiesta.

5.6 - Nel caso in cui la denuncia effettuata dal Compratore risulti infondata, quest'ultimo sarà tenuto a risarcire al Venditore tutte le spese da quest'ultimo sostenute per l'accertamento. Qualora invece la denuncia del Compratore, effettuata in conformità a quanto statuito nel presente articolo, risulti fondata, il Venditore provvederà - a sua esclusiva e discrezionale scelta ed entro un termine ragionevole (avuto riguardo all'entità della contestazione) - a riparare o sostituire gratuitamente EXW-sede del Venditore i Prodotti difettosi o non conformi, effettuando le suddette operazioni presso i propri stabilimenti. La resa dei Prodotti è a carico del Compratore. Laddove le Parti concordino sull'opportunità di effettuare le operazioni di riparazione o sostituzione direttamente presso gli stabilimenti del Compratore o in altro luogo, le spese di trasferta - comprendenti viaggio, vitto e alloggio del personale del Venditore - saranno a carico del Compratore, il quale fornirà inoltre tutti i mezzi e il personale ausiliario richiesti per eseguire l'intervento nel modo più rapido e sicuro.

5.7 - Decorsa la durata della garanzia, nessuna pretesa potrà essere fatta valere nei confronti del Venditore.

Art. 6 - LIMITAZIONE DI RESPONSABILITÀ DEL VENDITORE

6.1 - Salvo dolo o colpa grave del Venditore, l'eventuale risarcimento di qualsiasi danno al Compratore non potrà comunque superare il valore di fattura del Prodotto difettoso. La garanzia di cui al precedente Articolo è assorbente e sostitutiva delle garanzie legali per vizi e conformità ed esclude ogni altra possibile responsabilità del Venditore, comunque originata dai Prodotti forniti. Il Compratore non potrà pertan-

to avanzare altre richieste di risarcimento del danno, di riduzione del prezzo o di risoluzione del contratto.

6.2 - La responsabilità del Venditore è contenuta nei limiti di cui al precedente Articolo ed è relativa ai soli Prodotti forniti dal Venditore medesimo. Quest'ultimo non assume pertanto alcuna responsabilità per l'eventuale difettoso funzionamento di sistemi o macchine realizzati dal Compratore o da terzi con i Prodotti forniti dal Venditore, anche nel caso gli stessi siano stati montati o collegati secondo schemi o disegni suggeriti dal Venditore, a meno che tali schemi e disegni non siano stati oggetto di distinta remunerazione: in tale ultimo caso, la responsabilità del Venditore sarà comunque circoscritta a quanto compreso negli schemi o disegni in oggetto.

6.3 - In nessun caso il Venditore potrà essere ritenuto responsabile per danni indiretti o consequenziali, perdite di produzione o mancati profitti.

Art. 7 - NORME TECNICHE E RESPONSABILITÀ CIVILE

7.1 - Il Venditore garantisce le prestazioni dei Prodotti solo ed esclusivamente in relazione ad usi, destinazioni, applicazioni, tolleranze, capacità da lui espressamente indicati e il Compratore non è dunque autorizzato a disporre in modo difforme. Qualora il Compratore destini i Prodotti alla rivendita, sarà suo onere e responsabilità portare a conoscenza dei suoi acquirenti le indicazioni di cui al precedente comma.

7.2 - Il risarcimento per eventuali danni a persone o cose, derivanti dalla difettosità dei Prodotti forniti e direttamente riconducibile al Venditore, è limitato al massimale indicato nella polizza per responsabilità civile della medesima ed è subordinato ai termini ed alle condizioni di applicazione di detta polizza.

Art. 8 - PREZZI - PAGAMENTI

8.1 - Salvo sia altrimenti specificato nell'offerta o nella conferma d'ordine, i prezzi si intendono sempre Ex Works e non comprendono: i costi di imballaggio, le imposte, i dazi e ogni altro onere aggiuntivo. Del pari, a meno che le Parti abbiano diversamente convenuto, non sono compresi nel prezzo: l'eventuale progettazione e l'installazione dei Prodotti forniti, i collaudi, manuali e corsi di addestramento, l'assistenza all'avviamento e tutte le prestazioni e gli oneri non menzionati nell'offerta o nella conferma d'ordine.

8.2 - I pagamenti, e ogni altra somma dovuta a qualsiasi titolo al Venditore, si intendono netti alla sede del Venditore e dovranno essere effettuati conformemente alle modalità convenute. Il Compratore, in caso di ritardo nel pagamento, sarà tenuto a corrispondere, senza necessità di messa in mora, gli interessi moratori.

8.3 - Eventuali ritardi nei pagamenti attribuiranno altresì al Venditore il diritto di escludere, per tutto il periodo di perduranza del ritardo, la garanzia di cui al precedente Art. 5. Il Compratore è tenuto al pagamento integrale del prezzo anche in caso di contestazione o controversia. Non è ammessa compensazione con eventuali crediti, comunque insorti, nei confronti del Venditore.

Art. 9 - RISERVA DI PROPRIETÀ

9.1 - Nel caso in cui il pagamento debba essere effettuato - in tutto o in parte - dopo la consegna, i Prodotti consegnati restano di proprietà del Venditore sino al momento del completo pagamento del prezzo nella misura permessa dalla legge del Paese dove i prodotti si trovano. Il Compratore s'impegna a fare quanto necessario per costituire nel suddetto Paese una valida riserva di proprietà nella forma più estesa consentita, o per porre in essere un'analoga forma di garanzia a favore del Venditore.

Art. 10 - RECESSO DAL CONTRATTO DI VENDITA - SOSPENSIONE

10.1 - Il Venditore si riserva il diritto di recedere dal contratto di vendita e annullare, in tutto od in parte, l'ordine del Compratore in caso di sensibile modifica delle condizioni economiche del Compratore e della sua solvibilità nonché qualsiasi ritardo o irregolarità nel pagamento da parte del Compratore, anche se relativo a una diversa fornitura.

10.2 - Il Venditore potrà in ogni momento sospendere l'esecuzione del contratto, dandone preavviso scritto di almeno 30 (trenta) giorni lavorativi al Compratore per un massimo di 3 (tre) mesi senza incorrere in alcuna responsabilità. Entro 3 (tre) mesi dalla relativa comunicazione di sospensione il Venditore dovrà comunicare al Compratore la ripresa dell'esecuzione del contratto dandone preavviso scritto di almeno 30 (trenta) giorni lavorativi. Qualora il Venditore non richieda la prosecuzione del contratto entro il termine stabilito di 3 (tre) mesi, il Compratore avrà la facoltà di risolvere immediatamente il contratto dandone tempestiva comunicazione scritta al Venditore.

Art. 11 - FORZA MAGGIORE

11.1 - Ove la produzione e/o la consegna dei Prodotti da parte del Venditore sia resa impossibile, eccessivamente onerosa o ritardata a causa di un Evento di Forza Maggiore come definito dal successivo Art. 11.2, il Venditore potrà, a propria scelta: (i) sospendere le consegne dei Prodotti fintantoché non sia cessato l'Evento di Forza Maggiore; (ii) consegnare una quanti-

tà minore di Prodotti, qualora i Prodotti presenti nel proprio magazzino siano insufficienti e vengano destinati in proporzione a soddisfare altri clienti del Venditore; (iii) recedere dal contratto, dandone tempestiva notifica per iscritto al Compratore. A seguito del recesso, il Venditore completerà l'esecuzione della consegna dei Prodotti acquistati dal Compratore per la parte non inficiata dall'Evento di Forza Maggiore, restando inteso che il Compratore non avanzerà qualsivoglia ulteriore pretesa nei confronti del Venditore, derivante direttamente o indirettamente dall'anticipato scioglimento del rapporto contrattuale.

Ove l'impedimento dovuto all'Evento di Forza Maggiore persista per un periodo superiore a 90 (novanta) giorni, ciascuna parte avrà diritto di recedere dal relativo contratto, senza che sorga in capo ad essa alcun diritto nei confronti dell'altra parte al risarcimento di danni.

Ove ricorrano Eventi di Forza Maggiore, il Venditore non risponderà in alcun caso di eventuali danni derivanti per il Compratore dal ritardo nella consegna dei Prodotti.

11.2 - Per "Evento di Forza Maggiore" si intende qualsiasi evento al di fuori del controllo del Venditore che incida sulla capacità produttiva o di consegna dei Prodotti - ivi inclusi, a titolo esemplificativo, scioperi, mancata o ritardata consegna, anche parziale, delle materie prime da parte dei fornitori del Venditore, rotture parziali o totali di macchinari e impianti da impiegarsi nella realizzazione dei Prodotti, incendi, inondazioni, rivolte, decisioni delle autorità, modifiche normative, epidemie, pandemie o altre emergenze sanitarie.

Art. 12 - LEGGE APPLICABILE - CONTROVERSIE

12.1 - Per tutto quanto non previsto le presenti Condizioni Generali sono regolate dalla legge italiana. Per ogni controversia relativa o comunque collegata ai contratti cui si applicano le presenti Condizioni Generali è esclusivamente competente il Foro del Venditore. Quest'ultimo avrà tuttavia facoltà di agire dinanzi al foro della sede del Compratore.

Ai sensi e per gli effetti degli articoli 1341 e 1342 del Codice Civile si intendono espressamente approvati i seguenti articoli: Art. 4.6 - Obbligo del compratore di prendere in consegna i Prodotti - Limitazione di responsabilità del Venditore in caso di consegna ritardata o anticipata dei Prodotti; Art. 5.5 - Decadenza dal diritto di garanzia; Art. 6 - Limitazione di responsabilità del Venditore; Art. 7.2 - Responsabilità Civile; Art. 8.3 - Esclusione di garanzia per ritardo nel pagamento - Obbligo di pagamento somme contestate - Divieto di Compensazione; Art. 10 - Recesso dal contratto di vendita - Sospensione; Art. 12 - Legge applicabile - Controversie.

POLICY ON THE USE OF INDUSTRIAL AND INTELLECTUAL PROPERTY RIGHTS OF INTERTRACO (ITALIA) S.P.A.

Intertraco (Italia) S.p.A. (hereinafter simply "INTERTRACO") owns and/or holds full and exclusive rights on its trademarks, trade names, logos, distinctive signs, designs, models, patents and all technical, commercial and promotional material, including catalogues, brochures, product sheets, texts, publications, images, photographs, graphics and any other content created by it (hereinafter collectively referred to as "IP Rights"). These IP Rights are protected by industrial and intellectual property laws, such as Legislative Decree No. 30 of 10 February 2005 (Industrial Property Code), Law No. 633 of 22 April 1941 (Protection of copyright and other rights related to its exercise) and by the Italian Civil Code, as well as by the corresponding international regulations. The protections cover all trademarks, trade names, logos, distinctive signs, designs, models, patents and all technical, commercial and promotional material, including catalogues, brochures, product sheets, texts, publications, images, photographs, graphics and any other content created and registered by INTERTRACO.

Is strictly prohibited the use as well as the application, of IP Rights owned by INTERTRACO, and registered by the latter, in relation to and/or in application to products not belonging to and/or originating by INTERTRACO, or that can be anyway attributable to the latter, as well as to images of products and/or to any other representations of products not belonging to and/or originating by INTERTRACO or attributable to the latter.

The promotion of IP Rights and/or of products owned by and/or registered by INTERTRACO (hereinafter simply "Products") must always and only keep the target to reach and then maintain high standards of quality for both INTERTRACO as well as for its IP Rights and/or for the Products, which involves the presentation, the way and type of channels used, the images, the wording and anything else that may influence this.

In order to maintain and/or to increase the value of the IP Rights and in compliance with these same, a third-party eventually duly authorized by INTERTRACO to use the IP Rights, must necessarily and mandatorily comply with the following rules, which are considered integral and binding part, subject to the explicit agreement between INTERTRACO and each third-party user singularly considered:

1 - Each IP Right may not be used in any way without the express written consent from INTERTRACO;

2 - Authorization to use the IP Rights shall not grant to the third-party user any rights other than those contained in the agreement entered in writing by INTERTRACO with the third-party user. The authorization does not grant the third-party user any additional property rights, ownership rights and/or licences. The authorization will never confer to the third-party user any additional license and/or further rights;

3 - This authorization binds the third-party user to the destination and use of such IP Rights, documents, promotional materials provided by INTERTRACO, solely and exclusively in the manner and version provided by INTERTRACO. The information provided by INTERTRACO must be considered as definitive; therefore, any unauthorized amendment will be considered to the detriment of INTERTRACO, which will therefore have the right to take appropriate legal action to recover any damages suffered;

4 - No material relating to Products and/or to their written and/or figurative representation, as well as the related and associated IP Rights, provided by INTERTRACO to the third-party user may undergo any alteration or modification by the user without the prior written consent of INTERTRACO;

5 - Under no circumstances does the authorization grant a license and/or allow the user to make changes to names, technical specifications, logos, trademarks or other IP Rights, or to descriptions of INTERTRACO Products contained in websites, catalogues, brochures, product sheets or any other official material;

6 - Under no circumstances does the authorization grant to the third-party user a license and/or allow the third-party user to present INTERTRACO Products on the third-party user websites, catalogues, brochures, product sheets or on any other official material in a manner that differs from what originally authorized and/or provided by INTERTRACO to the third-party user; the appearance, packaging and visual presentation of the Products and/or of the promotional materials created by and/or prepared by the third-party user must remain unchanged from what originally provided by INTERTRACO. The use and promotion of IP Rights and/or related Products via websites and/or e-commerce and/or social media channels and/or digital platforms is subject to specific authorization provided by INTERTRACO for each individual link;

7 - Under no circumstances does the authorization allow the use of IP Rights outside the previously agreed IP addresses and/or the online sites, as well as outside the previously agreed social media channels, digital platforms and/or other areas and/or channels (e.g. trade fairs, markets, exhibitions, etc.) agreed in advance by INTERTRACO and third-party user, all the above in any case subjected to prior reviews, analysis and authorization in writing by INTERTRACO and the third-party user;

8 - Under no circumstances does the authorization permit the creation and dissemination of information, notes or any information material and/or publications relating to the IP Rights and/or Products (e.g. newsletters) without prior review and written consent by INTERTRACO;

9 - The use of IP Rights, including the use of images and/or photographs of the Products into promotional material not initially supplied by and/or directly provided by INTERTRACO to the third-party user, but autonomously realized by the latter such as catalogues or any other material, must be reviewed and approved in writing by INTERTRACO in advance. Under no circumstances is the publication and use of such representations, photographs, images and descriptions of the Products at trade fairs, markets, exhibitions or elsewhere permitted without the prior written approval of INTERTRACO;

10 - Any use and/or distribution and/or public offering performed outside the established Territory or of the agreed sales channels concerning Products containing INTERTRACO's IP Rights, must be approved in writing by INTERTRACO.

The following is understood and binding on the user:

a) The use of INTERTRACO's IP Rights in relation to products and/or images of products not originating by INTERTRACO and/or attributable to the latter is strictly prohibited;

b) any use of INTERTRACO's IP Rights and/or material provided by INTERTRACO that differs from what is contained herein and previously agreed by the latter for its intended use shall be considered a violation of INTERTRACO's rights and will be prosecuted;

c) it is strictly forbidden to make misleading, distorted or otherwise non-compliant use of IP Rights and/or Products and/or any material owned by, originating from and/or connected to INTERTRACO, in such a way as to mislead the consumer about the origin of the products or their quality or technical and economic characteristics, their intended use or anything else not expressly provided for in the documentation supplied by INTERTRACO to the user.

For any clarification or request for authorization, please directly contact Intertraco (Italia) S.p.A.

POLICY SULL'USO DEI DIRITTI DI PROPRIETÀ INDUSTRIALE ED INTELLETTUALE DI INTERTRACO (ITALIA) S.P.A.

Intertraco (Italia) S.p.A. (di seguito semplicemente "INTERTRACO") è proprietaria e/o ha titolarità dei diritti pieni ed esclusivi sui propri marchi, nomi commerciali, loghi, segni distintivi, design, modelli, brevetti e su tutto il materiale tecnico, commerciale e promozionale, inclusi cataloghi, brochure, schede prodotto, testi, pubblicazioni, immagini, fotografie, grafiche e qualsiasi altro contenuto da essa creato (di seguito congiuntamente "Diritti IP"). Tali Diritti IP sono protetti dalle normative sul diritto di proprietà industriale e intellettuale, quali il Decreto Legislativo 10 febbraio 2005, n. 30 (Codice della Proprietà Industriale), la Legge 22 aprile 1941, n. 633 (Protezione del diritto d'autore e di altri diritti connessi al suo esercizio) e il Codice Civile, nonché dalle corrispondenti normative internazionali. Le protezioni coprono tutti i marchi, nomi commerciali, loghi, segni distintivi, design, modelli, brevetti e tutto il materiale tecnico, commerciale e promozionale, inclusi cataloghi, brochure, schede prodotto, testi, pubblicazioni, immagini, fotografie, grafiche e qualsiasi altro contenuto creato e registrato da INTERTRACO.

È sempre vietato l'utilizzo e l'applicazione dei Diritti IP di proprietà di INTERTRACO, e da questa ultima registrati, in relazione e/o in applicazione ai prodotti non appartenenti e/o provenienti da INTERTRACO o a questo riconducibili, così come alle immagini di prodotti o altra rappresentazione di prodotti non appartenenti e/o provenienti da INTERTRACO o a questo riconducibili.

La promozione dei Diritti IP e/o dei prodotti nella proprietà e/o nella titolarità di INTERTRACO (di seguito semplicemente "Prodotti") dovrà avvenire sempre e solo nell'ottica del raggiungimento e quindi del mantenimento di un elevato standard qualitativo per INTERTRACO e per i suoi Diritti IP e/o Prodotti, che coinvolge la presentazione, i canali utilizzati, le immagini, le diciture e tutto quanto possa influire in tal senso.

Al fine del mantenimento e/o dell'accrescimento del valore dei Diritti IP e nel rispetto degli stessi, i soggetti che verranno eventualmente autorizzati da INTERTRACO ad utilizzare i Diritti IP di cui al primo paragrafo di questo documento, dovranno necessariamente ed obbligatoriamente sottostare alle seguenti norme, che si considerano parte integrante e inderogabile dell'accordo esplicito tra INTERTRACO e ciascun singolo utilizzatore:

1 - Ciascun Diritto IP non può in alcun modo essere utilizzato se non a fronte di consenso scritto ed esplicito da parte di INTERTRACO;

2 - L' autorizzazione all'utilizzo dei Diritti IP non fornirà alle Parti che ne richiedono l'utilizzo alcun diritto ulteriore e diverso rispetto a quanto contenuto nell'accordo stipulato per iscritto da INTERTRACO con queste ultime. In nessun caso l'autorizzazione conferirà al terzo utilizzatore alcun diritto di proprietà, titolarità e/o licenza aggiuntiva;

3 - L'autorizzazione vincola l'utente alla destinazione e all'utilizzo dei Diritti di Proprietà Intellettuale, della documentazione e del materiale promozionale forniti da INTERTRACO, solo ed esclusivamente nella modalità e nella versione consegnata e/o fornita da INTERTRACO. Le informazioni fornite da INTERTRACO devono essere considerate come definitive; qualsiasi modifica non autorizzata verrà quindi considerata un'alterazione a danno di INTERTRACO, che avrà

pertanto il diritto di intraprendere le opportune azioni legali per il risarcimento dei danni subiti;

4 - Nessun materiale relativo a Prodotti e/o alla loro rappresentazione scritta e/o figurativa, così come i relativi e correlati Diritti IP, consegnati da INTERTRACO all'utilizzatore potrà subire qualsivoglia alterazione o modifica da parte dell'utilizzatore senza il previo consenso scritto di INTERTRACO;

5 - L'autorizzazione in nessun caso fornisce licenza e/o permette all'utilizzatore di apportare modifiche a nomi, specifiche tecniche, loghi, marchi o altri Diritti IP, o a descrizioni dei Prodotti di INTERTRACO riportate nei siti web cataloghi, brochure, schede prodotto o in qualsiasi altro materiale ufficiale;

6 - L'autorizzazione in nessun caso dà licenza e/o permette all'utilizzatore di presentare i Prodotti di INTERTRACO su siti web, cataloghi, brochure dell'utilizzatore, così come su schede prodotto o qualsiasi altro materiale ufficiale, in modo difforme da come originariamente autorizzato d/o fornito da INTERTRACO: l'aspetto, la confezione e la presentazione visiva dei Prodotti e/o del materiale promozionale da parte dell'utilizzatore devono rimanere invariati rispetto a quanto originariamente fornito da INTERTRACO. L'uso e la promozione dei Diritti IP e/o dei Prodotti ad essi collegati, tramite sito internet e/o e-commerce e/o canali social e/o piattaforme digitali è oggetto a specifica autorizzazione da parte di INTERTRACO per ogni singolo link;

7 - L'autorizzazione in nessun caso permette l'utilizzo dei Diritti IP al di fuori dell'indirizzo IP e/o del sito online precedentemente concordati, dei canali social concordati, delle piattaforme digitali concordati o di altre aree o canali (esempio: fiere, mercati, esposizioni, ecc.) preventivamente concordati, tutti in ogni caso sottoposti a visione, analisi e autorizzazione preventiva per iscritto da INTERTRACO;

8 - L'autorizzazione in nessun caso permette la creazione e la circolazione di note informative o materiale informativo o altre pubblicazioni inerenti i Diritti IP e/o i Prodotti (ad esempio "newsletter") salvo preventiva visione ed approvazione per iscritto da parte di INTERTRACO;

9 - L'utilizzo di Diritti IP, incluse le applicazioni di immagini e/o fotografie dei Prodotti all'interno di materiale promozionale non fornito e/o consegnato direttamente da INTERTRACO alla Parte utilizzatrice ma direttamente realizzato da questa ultima come ad esempio cataloghi o altro, devono essere obbligatoriamente e preventivamente visionati ed approvati per iscritto da INTERTRACO. In nessun caso è autorizzata la pubblicazione e l'utilizzo di tali rappresentazioni, fotografie, immagini e descrizioni dei Prodotti in fiere, mercati, esposizioni o altro, senza l'approvazione preventiva scritta da parte di INTERTRACO;

10 - Ogni utilizzo e/o commercializzazione e/o proposta al pubblico al di fuori del Territorio stabilito o dei canali di vendita concordati di Prodotti contenenti Diritti IP di proprietà di INTERTRACO dovrà essere approvato per iscritto da INTERTRACO.

Resta inteso e vincolante all'utilizzatore quanto segue:

a) È severamente vietato l'utilizzo dei Diritti IP di INTERTRACO in relazione a prodotti o a immagini di prodotti non provenienti da INTERTRACO e/o a questo riconducibili;

b) Ogni utilizzo dei Diritti IP di INTERTRACO e/o del materiale fornito da INTERTRACO difforme rispetto a quanto ivi contenuto e preventivamente da questa ultima accordato per destinazione d'uso, sarà da considerarsi in lesione dei diritti di INTERTRACO e sarà perseguito legalmente;

c) È severamente vietato fare uso in modo ingannevole, distorto, o comunque difforme, dei Diritti IP e/o dei Prodotti e/o di qualsiasi materiale di proprietà di, proveniente da e/o collegato a INTERTRACO, in modo da trarre in inganno il consumatore circa la provenienza dei prodotti o la qualità degli stessi o le loro caratteristiche tecniche ed economiche, la loro destinazione di utilizzo o altro non espressamente previsto nella documentazione fornita da INTERTRACO all'utilizzatore.

Per qualsiasi chiarimento o richiesta di autorizzazione, si prega di contattare direttamente Intertraco (Italia) S.p.A.

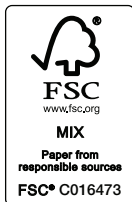
© 2025 Intertraco (Italia) S.p.A.

All rights reserved.

All contents, including trademarks, texts, images, graphics, logos, designs, tag and any other material, are protected by laws on industrial and intellectual property rights and copyright pursuant the Italian Law N° 633 of April 22, 1941 and the corresponding foreign regulations.

Reproduction, distribution, alteration, modification, or any other unauthorized use of trademarks, texts, images, graphics, logos, designs, tags contained herein, and of these materials, in whole or in part, without the prior written consent of Intertraco (Italia) S.p.A., is expressly prohibited.

Any violation will be prosecuted in accordance with current legislation. "Flexit", "IT", "IT Intertraco", "Intertraco", are registered trademarks of Intertraco (Italia) S.p.A.



This catalogue is printed on FSC certified paper.

Save paper, save trees!
Please note you will always find the most updated edition of this catalogue available on our website **www.intertraco.it**

UPDATES 30.09.2025

FS43K-12-30 (p. 90)

FS43J-12-30 (p. 153)

AY2CJ-16-16 (p. 180)

AY3CJ-16-16 (p. 181)

AY4CJ-16-16 (p. 182)

AY6CJ-16-16 (p. 183)

AY9CJ-16-16 (p. 185)

POLICY ON THE USE OF INDUSTRIAL AND INTELLECTUAL PROPERTY RIGHTS OF INTERTRACO (ITALIA) S.p.A. (p. 290)

Intertraco (Italia) S.p.A.

Via Amaldi 1/A
I-46029 Suzzara
Mantova | Italy

T +39 0376 539711
F +39 0376 521722
info@intertraco.it

www.intertraco.it

